



# SLS

SPORTS LIGHTING SOLUTIONS

PATENTED

NLS  
LIGHTING



**Efficiency**

- Designed for long term municipal infrastructure projects
- VUE has a depreciation rate (L70) rating of 173,000 hours
- Less than half a percent per year



**Patented Optical System**

- SLS optical system features a patented soft athlete friendly high wattage low glare linear diffused optic, providing a wide distribution and uniform lighting from every fixture
- SLS optical system significantly reduces disability glare specifically for fifty to eighty feet mounting heights compared to competition



**Factory Rotated, Tilted and Wired Cross Arm Assemblies**

- Fast accurate installation with pre-aimed, pre-wired Cross Arm assemblies
- Cross Arms have pre-designated alignment to attach to top of pole
- Cross Arms are pre-configured for precise matching of photometric design
- Quick connectors are used throughout the system for fast installation
- Easy to comprehend installation instructions provided with every SLS system
- No exposed fixture or crossarm wires to insure installation safety



**SLS-Connect Link - Sports Lighting Cabinet**

- All Remote Cabinets are pre-configured for every specific location
- Plug and Lock IP67 connectors make a secure connection between the cabinet and crossarm connector box



# SLS

## SPORTS LIGHTING SOLUTIONS

PATENTED

### **Specializing in Parks and Recreational Facilities**

NLS Sports Lighting Solutions - an elite combination of performance, glare control and reliability. From young children to competitive athletes the NLS SLS is the perfect solution for competitors who strive to perform at their highest level.

### **Performance**

The Vue features NLS Patented Star Power™ optical system designed to create high, broad, uniform horizontal foot candle levels and also provide substantial vertical foot candles, so the ball is never lost from player view.

### **Glare Control**

The Star Power™ optical system is endorsed by the Founder of the International Dark Sky Association and Illuminating Engineer Society Sports Lighting Committee Associate as one of the best optical systems in glare reduction for dark sky, neighbors, and the sports application itself. Meets IES parks and recreation requirements.

### **Reliability**

SLS Sports Lighting System is UL Approved from Luminaire to Connect-Link Controls Cabinet.

## As Easy As 1-2-3

1

### **Vue Sports Lighting Fixture**

A robust Sports Lighting Fixture designed for Municipal Parks and Recreational Facilities. Up to 950 watts, >88,000 Lumens per fixture with patented Star Power™ Optical System creating unmatched reliability.

2

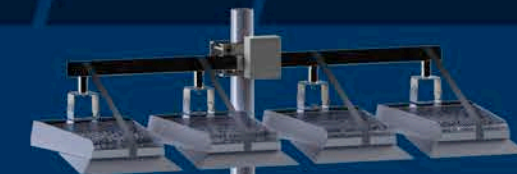
### **Universal Easy Mount - Pre-Set Cross Arm**

Cross Arms with 2 to 12 fixtures and poles to 85 feet, the SLS Sports Lighting System is pre-configured from top to bottom for ease of installation and many years of service.

3

### **Connect Link - Sports Lighting Cabinet**

A complete intelligent system for controlling sports lighting applications. Each cabinet custom configured for every project. Easy to update controls at any time.



NLS  
LIGHTING

# SLS

## ARCHITECTURE

SLS architecture is a robust system easy as **1, 2 3**. The system allows for fixture, pole assemblies from 2 to 12 fixtures per pole. Controlled by the SLS Connect Link - Sports Lighting Cabinets. Cross Arms pre-configured with Plug and Lock connectors for easy installation. Each fixture bolts onto a pre-aimed, pre-tilted cross arm specifically setup for each distinct location.

All exposed materials are Hot Dip Galvanized or Powder Coated for protection against extreme elements. Contractor friendly installation built into the system eliminating nighttime secondary aiming procedures.

Optical system designed to eliminate glare while providing industry leading uniform coverage of any sports lighting application. From baseball fields to skate parks our patented Star Power™ Optical system produces even, consistent light for every utilization.

Sports specific Front Side Shield designed with athletes in mind. From tennis to soccer, athletes keep an eye on the ball without being blinded.



1

2

3

**SLS**  
SPORTS LIGHTING SYSTEM  
NLS  
LIGHTING  
PATENT PENDING

**NLS**  
LIGHTING

PATENTED

# SLS

SPORTS LIGHTING SOLUTIONS

PATENTED



## Performance

## Glare Control

## Reliability



### Performance

- Patented Star Power™ Optical System
- Designed specifically for Municipal Parks & Recreational Facilities
- Fixtures Up to 950 Watts >88,000 Lumens
- Individual Fixture or Group Control and Monitoring
- System interfaces with any Wireless Control System

### Glare Control

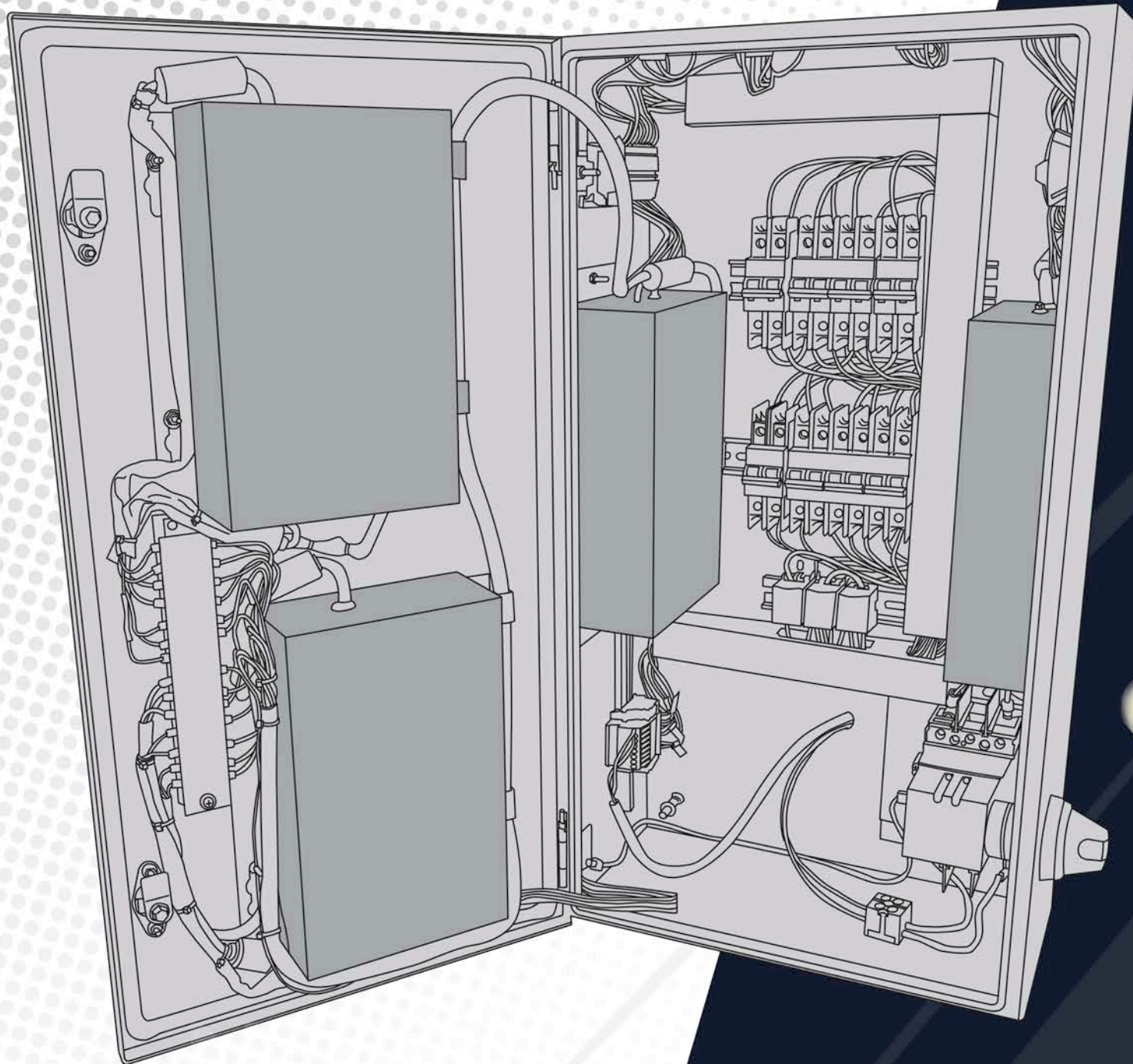
- Sports specific designed glare reducing Front Side Shield
- Dark Sky & Neighborhood Friendly
- Pre-Set Fixture Cross Arms for consistent and fast installation
- Fixtures supplied 5700 Kelvin Standard

### Reliability

- UL Approved Lighting System covering Luminaire to Connect-Link Controls Cabinet
- Slow Depreciation Rate, L70 173,000 Hours
- Drivers Rated for 90,000 Hour life, IP67 Rated

NLS  
LIGHTING

**Connect Link Wireless Controls enable individual  
Fixture Control and Monitoring.**



# SLS

## CONNECT LINK - SPORTS LIGHTING CABINET

- Patented NLS Connect Link - Sports Lighting Cabinet designed for individual fixture control, monitoring, and service at low mounting heights
- Connect Link Cabinet is delivered contractor ready completely assembled with all necessary mounting hardware
- Connect Link Cabinet provides individual fixture control and monitoring including added security, energy saving, and cost control
- Appropriate for both New Construction and Retrofit
- Mounting Hardware provided with system
- Drivers Rated for 90,000 Hour life and IP67 Rated
- Cabinets Pre-configured and Factory Labeled for easy Installation
- Connect Link Wireless Controls enable individual Fixture Control and Monitoring
- Up to four fixtures per cabinet
- UL Listed up to 480 Volts

PATENTED



# SLS

## UNIVERSAL EASY MOUNT - CROSS ARMS

PATENTED

3/8"-16 LOCK HEX NUTS S.S.

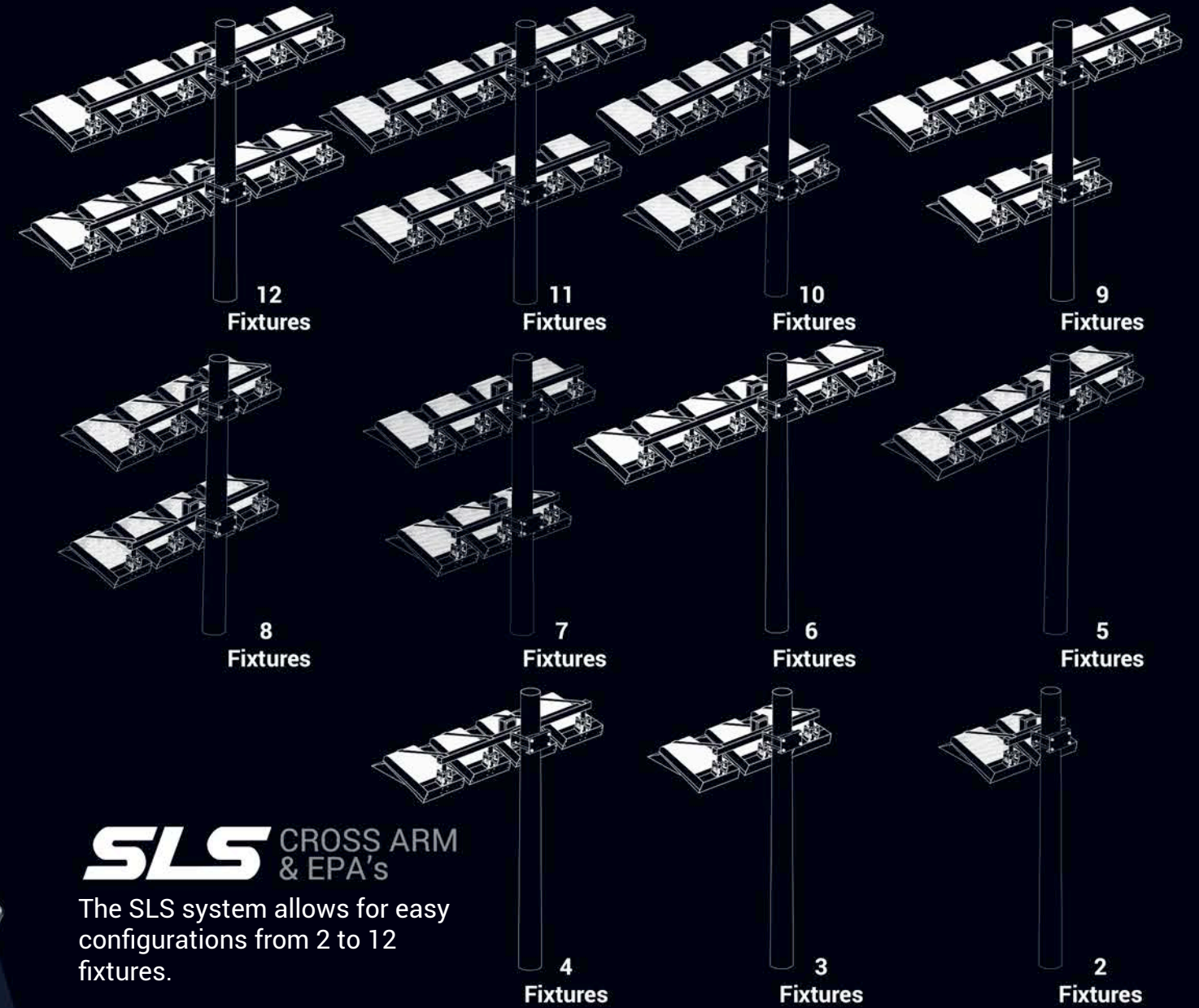
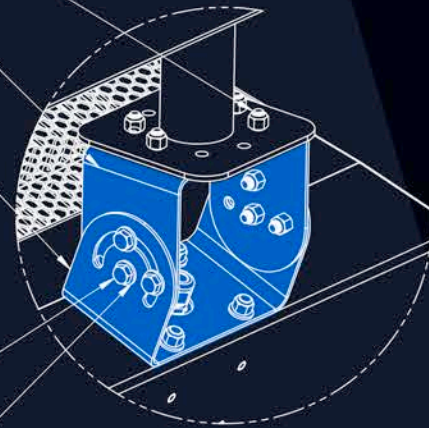
11 GA. (.120") STEEL UPPER TRUNNION,  
HOT DIP GALVANIZED PER ASTM A123

11 GA. (.120") STEEL LOWER TRUNNION,  
HOT DIP GALVANIZED PER ASTM A123

3/8"-16 HEX HEAD SCREWS S.S.

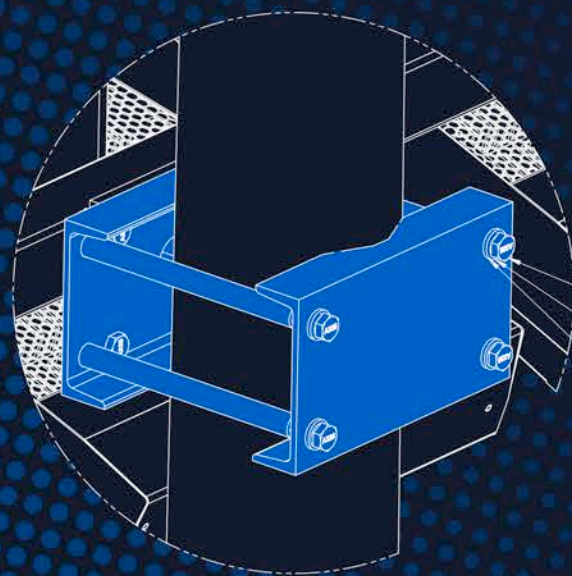
3/8" FLAT WASHER S.S.

**SLS**  
**TRUNNION**



## SLS CROSS ARM & EPA's

The SLS system allows for easy configurations from 2 to 12 fixtures.



**SLS**  
**DURACLAMP**

5/8"-11 X 2-1/2" HOT DIP GALVANIZED  
HEAVY HEX HEAD SCREWS, ASTM A325

5/8" HOT DIP GALVANIZED SPLIT  
LOCK WASHERS, ASME B18.31.1

5/8" HOT DIP GALVANIZED FLAT  
WASHERS, ASTM F436, TYPE 1

### SLS EPA DATA

2 Fixture Assembly	7.03
3 Fixture Assembly	10.46
4 Fixture Assembly	13.88
5 Fixture Assembly	17.31
6 Fixture Assembly	20.73
7 Fixture Assembly	24.34
8 Fixture Assembly	27.76
9 Fixture Assembly	31.19
10 Fixture Assembly	34.61
11 Fixture Assembly	38.04
12 Fixture Assembly	41.46

Includes the cross arm, junction box and fixtures tilted up to 20 degrees.

Intelligent Light + Performance®


**NLS**  
LIGHTING







# SLS PARKS & RECREATION

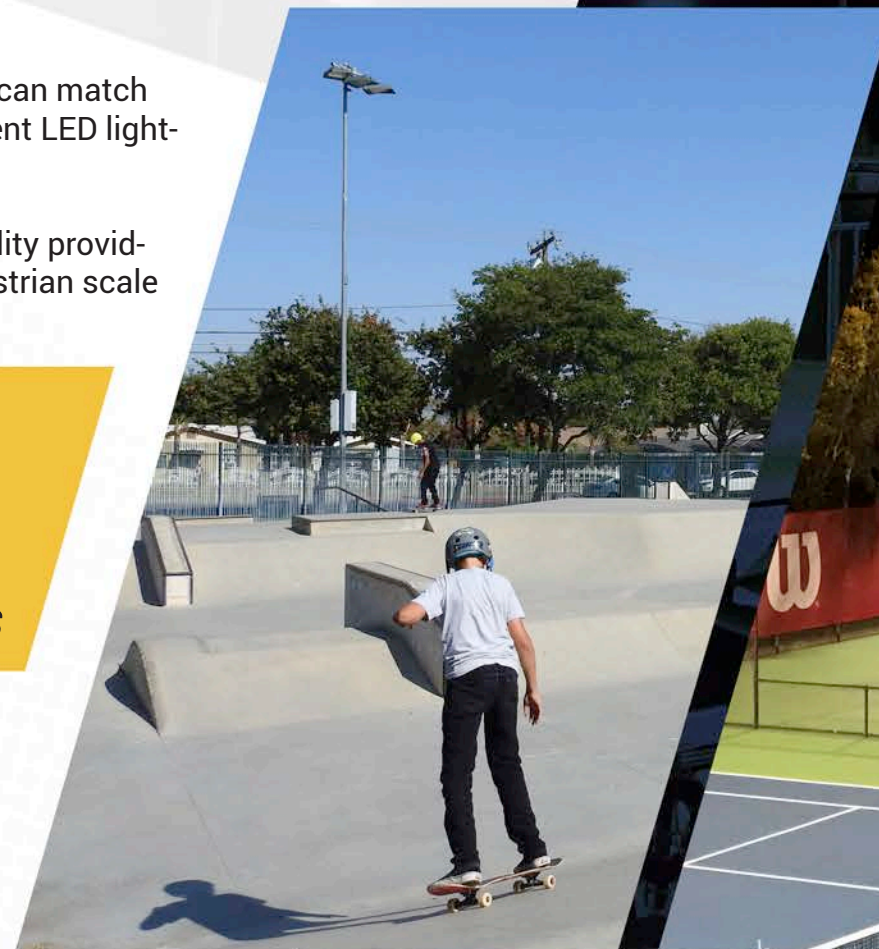


Pathways to the basketball courts and everything in-between, the SLS Sports Lighting Solutions is more than capable of lighting your Parks and Recreational facility. From rec-rooms to pickleball court, NLS has you covered.

NLS Lighting has a robust product portfolio that can match existing architecture and style with energy efficient LED lighting for better control, safety and energy savings.

Photometric assessment's available on your facility providing you a complete package, from bollards, pedestrian scale architectural fixtures to wall mounted sconces.

- **Football**
- **Soccer**
- **Basketball**
- **Baseball**
- **Pickleball**
- **Tennis**
- **Volleyball**
- **Skate Parks**



**NLS**  
LIGHTING

**THERMAL MANAGEMENT**

Extruded aluminum heat sink designed for maximum thermal management

**FINISH**

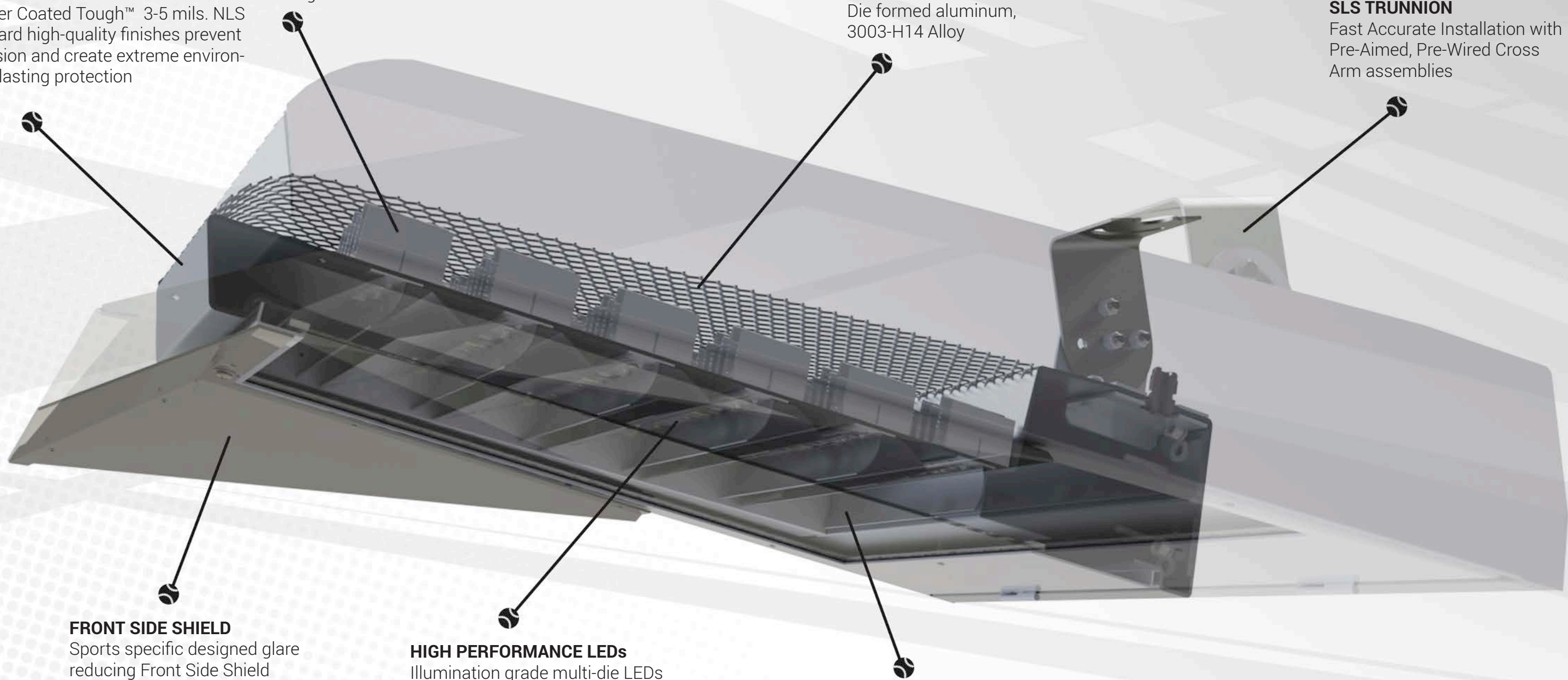
Powder Coated Tough™ 3-5 mils. NLS standard high-quality finishes prevent corrosion and create extreme environment lasting protection

**HOUSING CAVITY**

Die formed aluminum, 3003-H14 Alloy

**SLS TRUNNION**

Fast Accurate Installation with Pre-Aimed, Pre-Wired Cross Arm assemblies



**FRONT SIDE SHIELD**

Sports specific designed glare reducing Front Side Shield

**HIGH PERFORMANCE LEDs**

Illumination grade multi-die LEDs designed for outdoor applications. Delivering high efficacy from a uniform source with tight correlated color temperature control

**STAR POWER™**

Recessed, hidden optical system. Eliminates glare with full cutoff design. Enables performance to exceed IES minimum foot candle levels and extend maintenance cycles. Specific optical systems designed for Sports Lighting

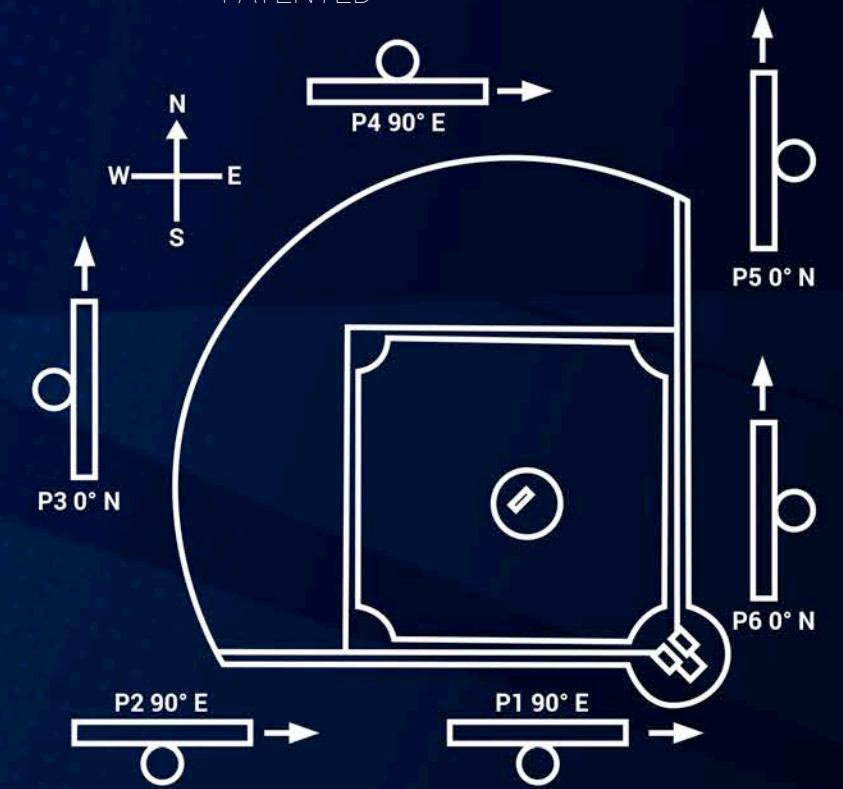
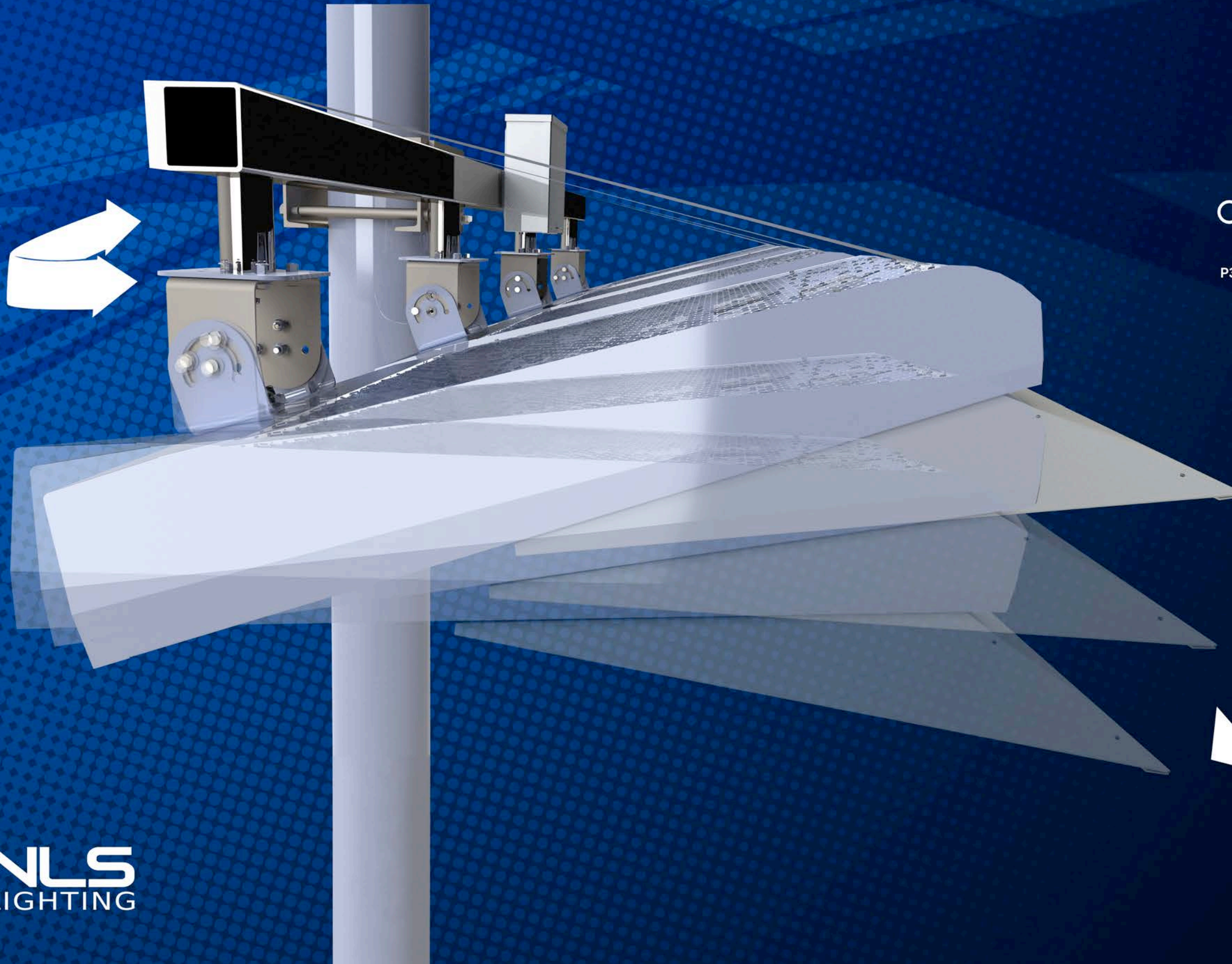


**Pre-aimed, pre-wired and assembled Cross Arms for ease of installation with guaranteed performance**

# SLS

SPORTS LIGHTING SOLUTIONS

PATENTED



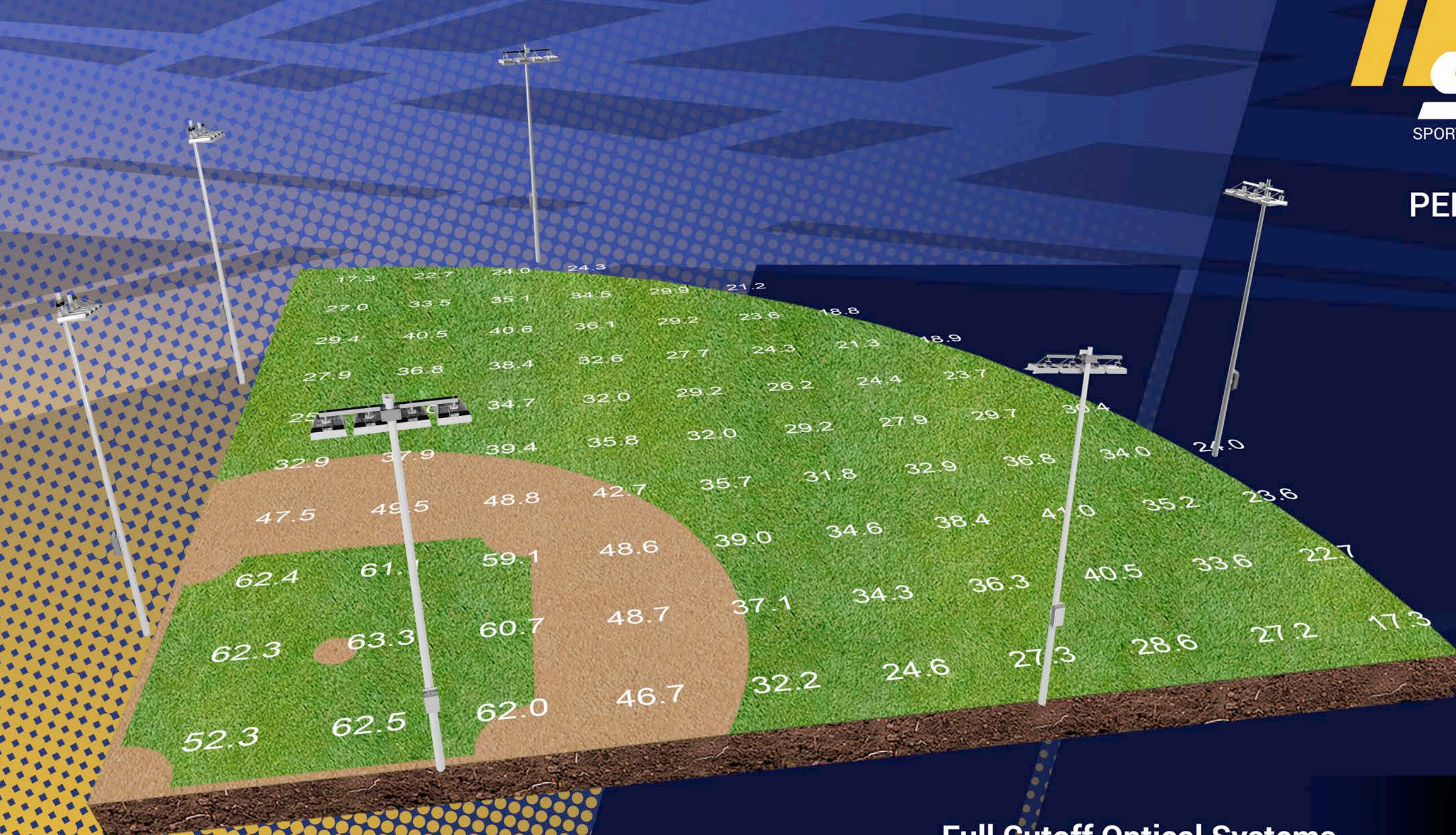
Field 1  
50FT Mount Height TYP

Detailed Cross Arm installation guide supplied for every project.

Cross Arm and Trunnion mount come pre-aimed and pre-wired as a complete assembly. Install the fixture with the supplied mounting hardware. All wiring harnesses are Plug and Lock for easy installation.

**NLS**  
LIGHTING

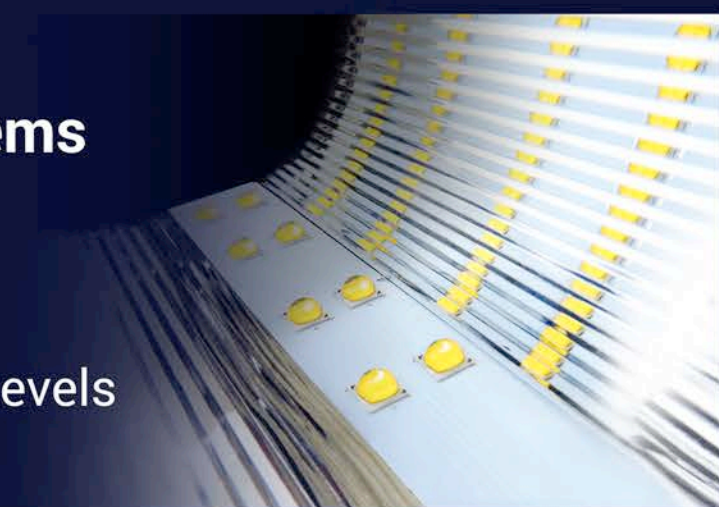
**50/30**  
**PERFORMANCE**



**STAR POWER™**  
**OPTICAL SYSTEM**

### Full Cutoff Optical Systems

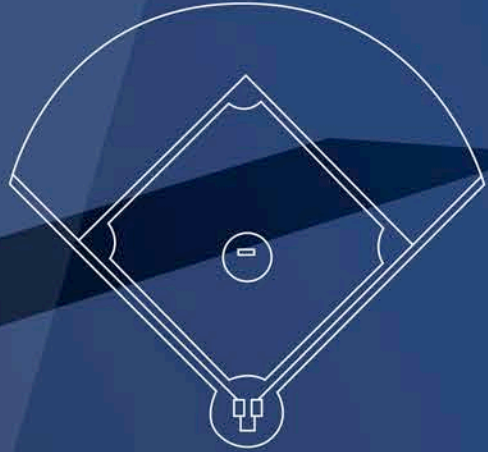
- ✓ Dark Sky Compliant
- ✓ Patented Optical Systems
- ✓ Powerful Uniformity
- ✓ Vertical & Horizontal Light Levels



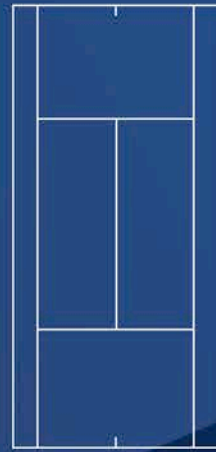
**SLS Sports Lighting Solutions**

Designed for Parks & Recreational outdoor lighting. Baseball to Skateparks, the SLS System outperforms the competition with complete system control and anti-glare patented optics.

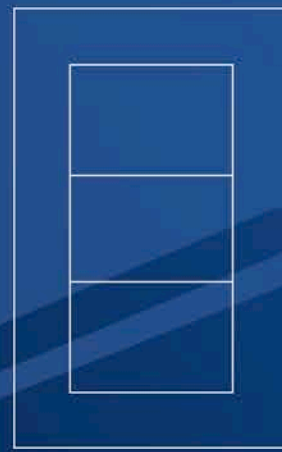
BASEBALL



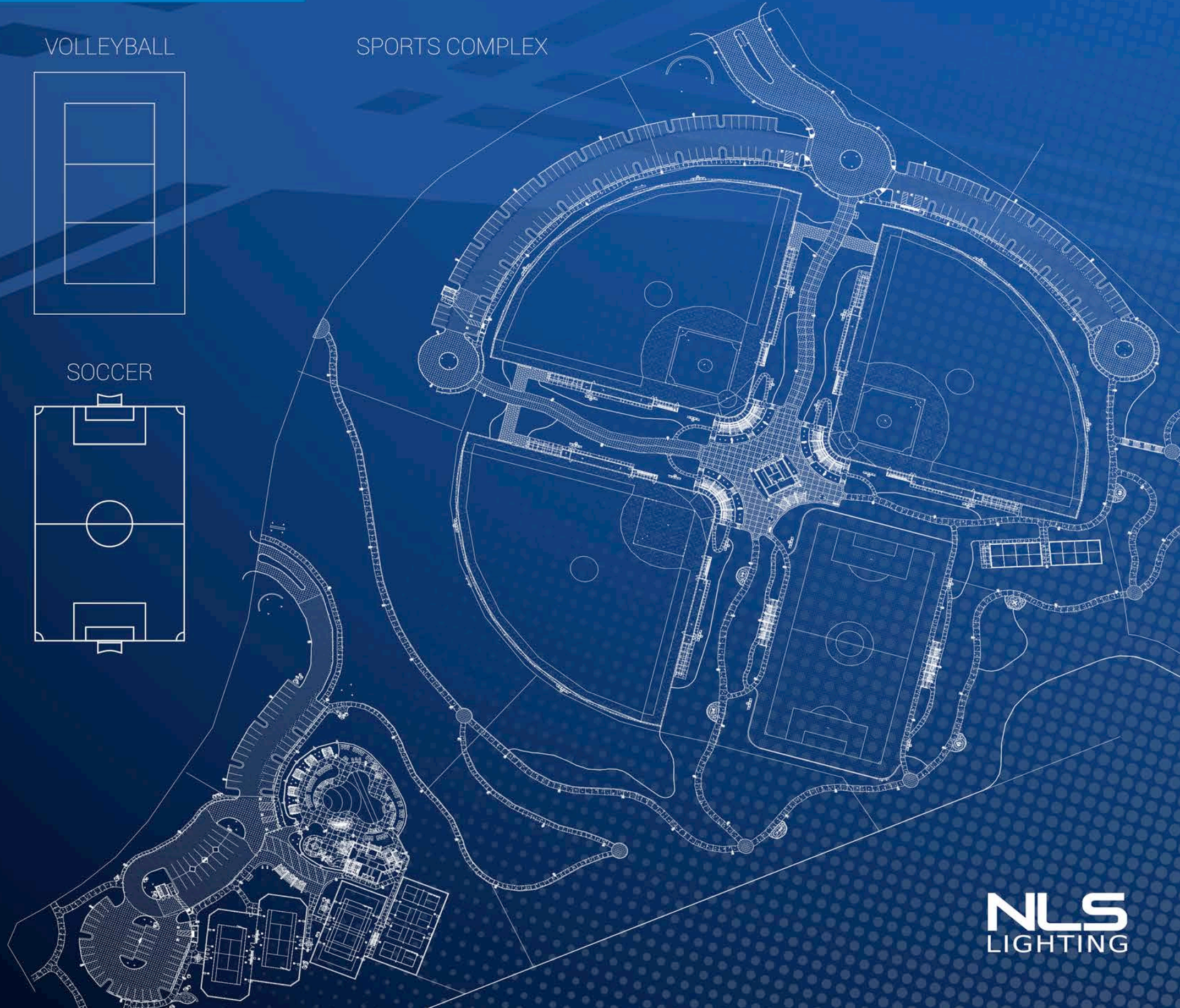
TENNIS



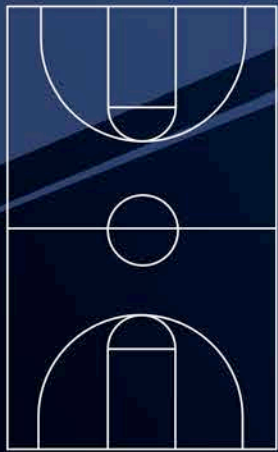
VOLLEYBALL



SPORTS COMPLEX



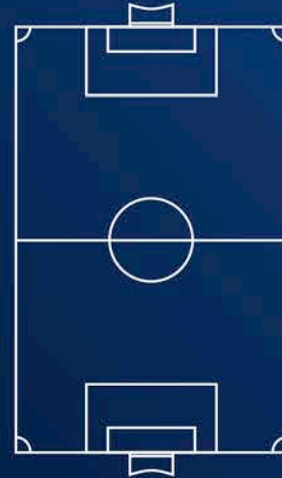
BASKETBALL



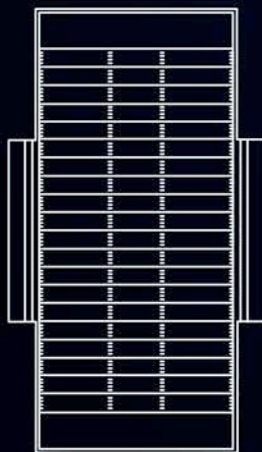
SKATEPARK



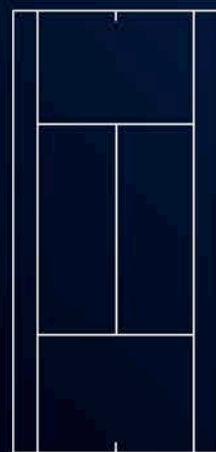
SOCCER



FOOTBALL



PICKLEBALL







**NLS**  
LIGHTING