



WATTAGE & LUMEN CHART

Lumen Package

	4,000	6,000	8,000	8,000	10,000
CCT (80CRI)	2700K	2700K	2700K	3000K	3000K
Lumen Range	3992-4,342	6,050-6,623	7,735-8,254	8,293-8,850	10,408-10,957
Wattage	38	55	74	74	94
Nominal Uplight (%)¹	> 10%	> 10%	> 10%	> 10%	> 10%

The Savannah Collection blends historical lighting design with lighting technology, significantly reducing energy, and maintenance costs, with optical control designed to preserve and protect the night sky environment. Beautiful by day and efficient by night, the perfect street, curbside, and pathway solution for large municipal or residential projects. The Savannah Collection features the patented "Star Power" optical system.

BUY AMERICAN

To ensure the latest BAA/TAA/BABA Standards are being met, please select BAA, TAA, or BABA in the options section. Please contact the factory before placing an order for any NLS products requesting BAA (Buy American Act), TAA (Trade Agreement Act), or BABA (Build America, Buy America).

TECHNICAL SPECIFICATIONS

- Less than 10% uplight¹
- 100+ Lumens per Watt at 2700K & 3000K at 80 CRI²
- 2700K and 3000K Kelvin temperature offerings at 80 CRI
- Type 3 Asymmetric or Type 5 Symmetric distributions
- Available with Dali II driver
- Available with 7-Pin Receptacle per ANSI C136.41 and can be wired to accept remote monitoring control node for luminaire
- All internal components are pre-wired using modular electrical connections
- Luminaire assembly has a visible arrow indicating the "STREET SIDE" of the Luminaire
- Provided with a terminal block for fast, secure wiring
- Acrylic Lens Globes LG1-G199 (Large) & LG2-G118 (Large) or LG3-G192 (Small). Replacement Lens Globes can be ordered and shipped separately
- 120 Degree internal House Side Shield is part of T3 Optical Design
- Integrated Retrofit System available for existing fixture holders. Consult Factory for details
- Fluted Poles and Decorative Cast Pole Bases available

¹ Averaged Uplight % for all of the configurations
² Not always applicable in cases with House Side Shield option





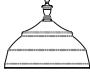
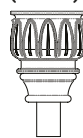

STAR POWER™ OPTICAL SYSTEM

The Star Power™ reflector is an excellent system which provides great value and performance. Star Power Patent number: 10168023

Project Name:

Type:

THE SAVANNAH COLLECTION ORDERING GUIDE

Cat#	Shade / Lens	Light Dist.	No. of LEDs	Lumens	Kelvin
Savannah 1 (SVN-1) 	Shade 1 (SH1) 	Type 3 Asymmetric Optimized (T3)	16 LED (Type 3 Only) (16L)	4,000 (4)	2700K, 80 CRI - Std. (27K8) ②
	Shade 2 (SH2) 	Type 5 Symmetric Optimized (T5) ①	20 LED (Type 5 Only) (20L)	6,000 (6)	3000K, 80 CRI - Std. (30K8) ②
Savannah 2 (SVN-2) 	Shade 3 (SH3) 	Consult factory for Custom/Modified Distributions (TX) ①		8,000 (8)	Amber 585-600nm - Custom (AMBER) ① ② ③
	Lens Globe 1 (LG1-G199)			10,000 (10)	2700K, 70 CRI - Custom (27K7) ① ②
	Lens Globe 2 (LG2-G118)				3000K, 70 CRI - Custom (30K7) ① ②
	Lens Globe 3 (LG3-G192)				3500K, 80 CRI - Custom (35K8) ① ②
					4000K, 70 CRI - Custom (40K7) ① ②
					4000K, 80 CRI - Custom (40K8) ① ②
					5000K, 70 CRI - Custom (50K7) ① ②
					5000K, 80 CRI - Custom (50K8) ① ②

Volts	Mounting Provisions	Arms	Color	Controls	Options
Dali II (D2) 120-277V	Post Top Mounting Holder Over 3" OD Tenon (PT)	Single Side Mounted Arm to slip over a 3" OD Pole (A12-SGL-3R) ⑦	Bronze Textured (BRZ)	Button Photocell (PC) ① ④	Opal Lens (OPL) ①
120-277 (UNV)	Post Top Mounting Holder Over 4" OD Tenon (PT4) ①	Single Side Mounted Arm to slip over a 4" OD Pole (A12-SGL-4R) ⑦	White Textured (WHT)	Nema 7-Pin Receptacle (PE7) ⑧	Polycarbonate Lens (PLY) ①
347-480 (HV) ①		Single Side Mounted Arm to slip over a 5" OD Pole (A12-SGL-5R) ⑦	Smooth White Gloss (SWT)	Photocell + Receptacle (PCR) ⑧	Decorative Filigree + Strut Combo (FSC) ⑩
		Double Side Mounted Arm to slip over a 3" OD Pole (A12-D180-3R) ⑦	Silver Metallic (SVR)	Receptacle + Shorting Cap (PER) ⑧	House Side Shield (HSS) ⑩
		Double Side Mounted Arm to slip over a 4" OD Pole (A12-D180-4R) ⑦	Black Textured (BLK)	Custom Controls Integration (CCI) ④	Finial (FIN) ⑧
		Double Side Mounted Arm to slip over a 5" OD Pole (A12-D180-5R) ⑦	Smooth Black Gloss (SBK)		Marine Grade Finish (MGF)
			Graphite Textured (GPH)		Buy American (BAA) ⑧
			Grey Textured (GRY)		Trade American (TAA) ⑧
			Green Textured (GRN)		Build America Buy American (BABA) ⑧
			Hunter Green Textured (HGN)		
			Custom (CS)		

Notes:

- ① Consult Factory
- ② Consult Factory for Availability of other CCT/CRI Requests
- ③ Turtle Safe options available
- ④ Please contact Factory for Custom Control Integration requests (nLight, NX, WaveLinx, Crestron, DMX/RDM, Synapse, Casambi, Dali II, or other control systems)
- ⑤ Not available with Photocell + Receptacle
- ⑥ Consult factory for all BAA/TAA/BABA requests
- ⑦ Must be ordered with PT mounting provision
- ⑧ FSC for SVN-2
- ⑨ PCR, PER & PE7 not available with shade options
- ⑩ HSS integrated into standard T3 optical design. Includes full cutoff clip on HSS that can be field installed to reduce back light



701 Kingshill Place, Carson, CA 90746
Call Us Today (310) 341-2037

nslighting.com

PRODUCT SPECIFICATIONS

ELECTRICAL

- 120-277 Volts (UNV) or 347-480 Volts (HV)
- 0-10V dimming driver, or Dali II
- Driver power factor at maximum load is $\geq .95$, THD maximum load is 15%
- LED Drivers Operating Temp. Min is -40°C and Ambient Temp. Max ranges from 50°C to 55°C . Consult the factory for revalidation by providing the fixture catalog string before quoting and specifying it
- All internal wiring UL certified for 600 VAC and 105°C
- CRI 70, 80 or 90
- Color temperatures: Amber, 2700, 3000K, 3500K, 4000K, 5000K
- Surge Protection: 20KA supplied as standard

CONSTRUCTION

- Cast Aluminum for SVN-1 and SVN-2 holders

OPTIONS

- Opal Lens
- Polycarbonate Lens
- Decorative Filigree + Strut Combo
- Finial
- MARINE GRADE FINISH (MGF) - A multi-step process creating protective finishing coat against harsh environments. Chemically washed in a 5 stage cleaning system. Pre-baked, Powder coated 3-5 mils of Zinc Rich Super Durable Polyester Primer. Oven Baked. Finished Powder Coating of Super Durable Polyester Powder Coat 3-5 mil thickness.

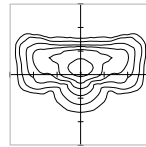
CONTROL OPTIONS

- NEMA 7-PIN RECEPTACLE (PE7)—An ANSI C136.41-2013 receptacle provides electrical and mechanical interconnection between photo control cell and luminaire. Dimming receptacle available two or four dimming contacts supports 0-10 VDC dimming methods or Digital Addressable Lighting Interface (DALI), providing reliable power interconnect.
- PHOTOCELL + RECEPTACLE (PCR)—7-Pin Receptacle and Electronic Twist Lock Photocell for dusk to dawn operation.
- RECEPTACLE + SHORTING CAP (PER)—7-Pin Receptacle and Shorting Cap.
- PHOTOCELL - Button type photocell.
- CONTROLS AGNOSTIC: Please contact factory for your preferred controls option. (nLight, NX, WaveLinx, Crestron, DMX/RDM, Synapse, Casambi, DALI II, Avi-On, or other control systems)

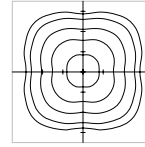
OPTICS

Recessed Star Power Optical System is 95% reflective material. Utilizes a linear diffused pattern, softening the light distribution and eliminating any dark shadows or striations.

- IES Types



TYPE III (T3)



TYPE V (T5)

FINISH

- 3-5 mils electrostatic powder coat.
- NLS Lighting standard high-quality finishes prevent corrosion and protects against extreme environmental conditions

WARRANTY

Five-year limited warranty for drivers and LEDs.

LISTINGS

- Certified to UL 1598
- UL 8750
- CSA C22.2 No. 250.0
- 3G Rated
- IP66

BUY AMERICAN OPTION

While all of the NLS Lighting products listed in this document qualify for the Buy America(n) Act of 1933, we reserve the right to change our listings without notice.

The information provided above is for general informational purposes only. We encourage you to consult legal professionals for advice particular to your projects concerning BAA, TAA, BABA or Buy America.

Download NLS Products that meet BAA, TAA standards can be found at the following link:

[https://nlsighting.com/NLS_BuyAmerica\(n\).pdf](https://nlsighting.com/NLS_BuyAmerica(n).pdf)



The information and specifications on this document are subject to change without any notification. All values are design, nominal, typical or prorated values when measured under internal and external laboratory conditions.



701 Kingshill Place, Carson, CA 90746
Call US Today (310) 341-2037

nlsighting.com

PRODUCT SPECIFICATIONS

SAVANNAH 16 LED, TYPE 3 DISTRIBUTION LUMEN DATA CHART

PART NUMBER	LG1-G199 Lumens	Lumen/Watts	MA	BUG Rating	Nominal Uplight (%)	LG2-G192 Lumens	Lumen/Watts	MA	BUG Rating	Nominal Uplight (%)	LG3-G118 Lumens	Lumen/Watts	MA	BUG Rating	Nominal Uplight (%)
SVN-16L-4-27K8	3992	105	800	B2-U3-G3	11.6%	4050	107	745	B1-U3-G3	9.7%	4041	106	760	B2-U3-G3	9.7%
SVN-16L-4-30K8	4280	113	800	B2-U3-G3	11.6%	4342	114	745	B2-U3-G3	9.7%	4333	114	760	B2-U3-G3	9.7%
SVN-16L-6-27K8	5739	104	1150	B2-U3-G3	11.6%	6050	110	1113	B2-U3-G4	9.7%	6061	110	1140	B2-U3-G3	9.7%
SVN-16L-6-30K8	6153	112	1150	B2-U3-G3	11.6%	6487	118	1113	B2-U3-G4	9.7%	6499	118	1140	B2-U3-G3	9.7%
SVN-16L-8-27K8	7735	105	1550	B3-U4-G4	11.6%	8046	109	1480	B2-U3-G5	9.7%	8082	109	1520	B3-U3-G4	9.7%
SVN-16L-8-30K8	8293	112	1550	B3-U4-G4	11.6%	8627	117	1480	B3-U3-G5	9.7%	8666	117	1520	B3-U4-G4	9.7%
SVN-16L-10-27K8	9707	103	1945	B3-U4-G5	11.6%	10058	107	1850	B3-U4-G5	9.7%	10049	107	1890	B3-U4-G4	9.7%
SVN-16L-10-30K8	10408	111	1945	B3-U4-G5	11.6%	10784	115	1850	B3-U4-G5	9.7%	10775	115	1890	B3-U4-G5	9.7%

SAVANNAH 16 LED, TYPE 3 DISTRIBUTION WITH HOUSE SIDE SHIELD LUMEN DATA CHART

PART NUMBER	LG1-G199 Lumens	Lumen/Watts	MA	BUG Rating	Nominal Uplight (%)	LG3-G118 Lumens	Lumen/Watts	MA	BUG Rating	Nominal Uplight (%)
SVN-16L-4-27K8-HSS	3814	100	830	B1-U3-G3	12.3%	3772	99	830	B1-U3-G2	8.2%
SVN-16L-4-30K8-HSS	4089	108	830	B1-U3-G3	12.3%	4044	106	830	B1-U3-G3	8.2%
SVN-16L-6-27K8-HSS	5699	104	1240	B2-U3-G4	12.3%	5635	102	1240	B2-U3-G3	8.2%
SVN-16L-6-30K8-HSS	6110	111	1240	B2-U3-G4	12.3%	6042	110	1240	B2-U3-G3	8.2%
SVN-16L-8-27K8-HSS	7560	102	1645	B2-U4-G4	12.3%	7475	101	1645	B2-U3-G3	8.2%
SVN-16L-8-30K8-HSS	8106	110	1645	B2-U4-G5	12.3%	8015	108	1645	B2-U3-G3	8.2%
SVN-16L-10-27K8-HSS	8939	95	1945	B3-U4-G5	12.3%	8843	94	1945	B2-U3-G4	8.2%
SVN-16L-10-30K8-HSS	9584	102	1945	B3-U4-G5	12.3%	9481	101	1945	B2-U4-G4	8.2%

SAVANNAH 20 LED, TYPE 5 DISTRIBUTION LUMEN DATA CHART

PART NUMBER	LG1-G199 Lumens	Lumen/Watts	MA	BUG Rating	Nominal Uplight (%)	LG2-G192 Lumens	Lumen/Watts	MA	BUG Rating	Nominal Uplight (%)	LG3-G118 Lumens	Lumen/Watts	MA	BUG Rating	Nominal Uplight (%)
SVN-20L-4-27K8	4060	107	745	B2-U3-G2	9.4%	4093	108	745	B2-U3-G2	7.4%	4127	109	735	B2-U3-G2	7.6%
SVN-20L-4-30K8	4353	115	745	B2-U3-G2	9.4%	4389	115	745	B2-U3-G2	7.4%	4425	116	735	B2-U3-G2	7.6%
SVN-20L-6-27K8	6066	110	1113	B3-U3-G3	9.4%	6115	111	1113	B3-U3-G2	7.4%	6177	112	1100	B3-U3-G3	7.6%
SVN-20L-6-30K8	6504	118	1113	B3-U3-G3	9.4%	6557	119	1113	B3-U3-G3	7.4%	6623	120	1100	B3-U3-G3	7.6%
SVN-20L-8-27K8	8066	109	1480	B3-U4-G3	9.4%	8131	110	1480	B3-U3-G3	7.4%	8254	112	1470	B3-U3-G3	7.6%
SVN-20L-8-30K8	8648	117	1480	B3-U4-G3	9.4%	8718	118	1480	B3-U3-G3	7.4%	8850	120	1470	B3-U3-G3	7.6%
SVN-20L-10-27K8	10083	107	1850	B3-U4-G3	9.4%	10164	108	1850	B3-U4-G3	7.4%	10219	109	1820	B3-U4-G3	7.6%
SVN-20L-10-30K8	10811	115	1850	B3-U4-G4	9.4%	10898	116	1850	B3-U4-G3	7.4%	10957	117	1820	B3-U4-G3	7.6%

Lumen Maintenance Data

Ambient Temperature	Drive Current	L90 Hours*	L70 Hours**	30,000 Hours*	50,000 Hours*	60,000 Hours*	100,000 Hours**
25°C	Up to 700mA	58,000	173,000	95.7%	91.6%	89.6%	82.1%

*Reported extrapolations per IESNA TM-21 **Projected extrapolations per IESNA TM-21



701 Kingshill Place, Carson, CA 90746
Call US Today (310) 341-2037

nslighting.com

PRODUCT SPECIFICATIONS

SHADE & CONTROL OPTIONS

SHADE 1



SHADE 2

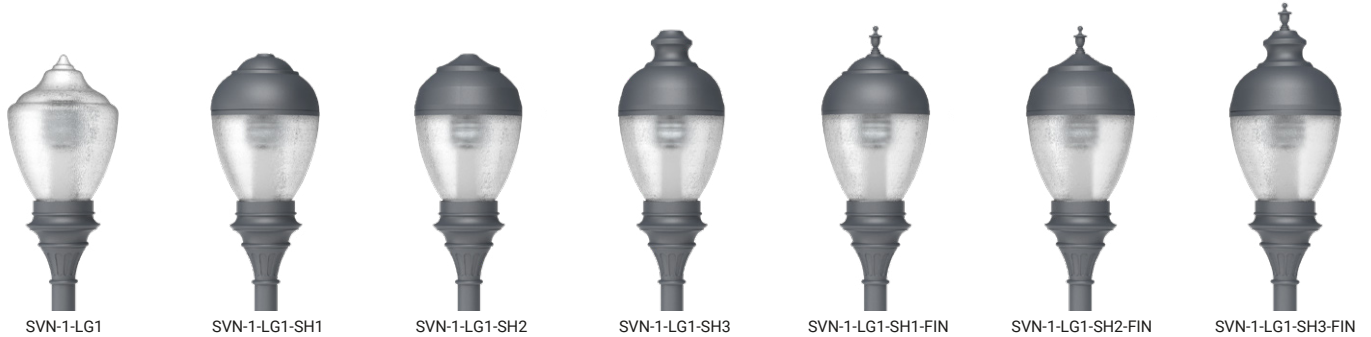


SHADE 3



	SVN-1-LG1									SVN-1-LG2						SVN-1-LG3											
LG1 (G199)	X	X	X	X	X	X	X	X	X																		
LG2 (G118)										X	X	X	X	X	X												
LG3 (G192)																				X	X	X	X	X	X		
SH1				X	X																						
SH2						X	X																				
SH3								X	X																		
PCR (Inside Lens)		X									X	X									X	X					
PC			X	▶	▶	▶	▶	▶	▶					X	X											X	X
FSC																											
HSS	▶	▶	▶	▶	▶	▶	▶	▶	▶	▶	▶	▶	▶	▶	▶	▶	▶	▶	▶	▶	▶	▶	▶	▶	▶	▶	▶
FIN				X	X	X	X	X	X	X	X	X	X	X	X					X	X	X	X	X	X		
	SVN-1-LG1	SVN-1-LG1-PCR	SVN-1-LG1-PC	SVN-1-LG1-SH1	SVN-1-LG1-SH1-FIN	SVN-1-LG1-SH2	SVN-1-LG1-SH2-FIN	SVN-1-LG1-SH3	SVN-1-LG1-SH3-FIN	SVN-1-LG2	SVN-1-LG2-FIN	SVN-1-LG2-PCR	SVN-1-LG2-PCR-FIN	SVN-1-LG2-PC	SVN-1-LG2-PC-FIN	SVN-1-LG3	SVN-1-LG3-FIN	SVN-1-LG3-PCR	SVN-1-LG3-PCR-FIN	SVN-1-LG3-PC	SVN-1-LG3-PC-FIN						

▶ Denotes options that can be added without any restrictions.



SVN-1-LG1

SVN-1-LG1-SH1

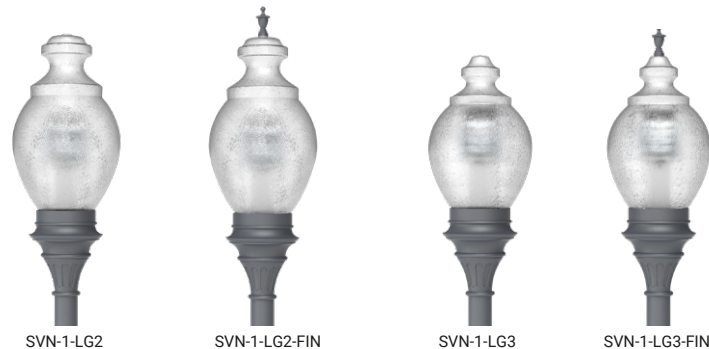
SVN-1-LG1-SH2

SVN-1-LG1-SH3

SVN-1-LG1-SH1-FIN

SVN-1-LG1-SH2-FIN

SVN-1-LG1-SH3-FIN



SVN-1-LG2

SVN-1-LG2-FIN

SVN-1-LG3

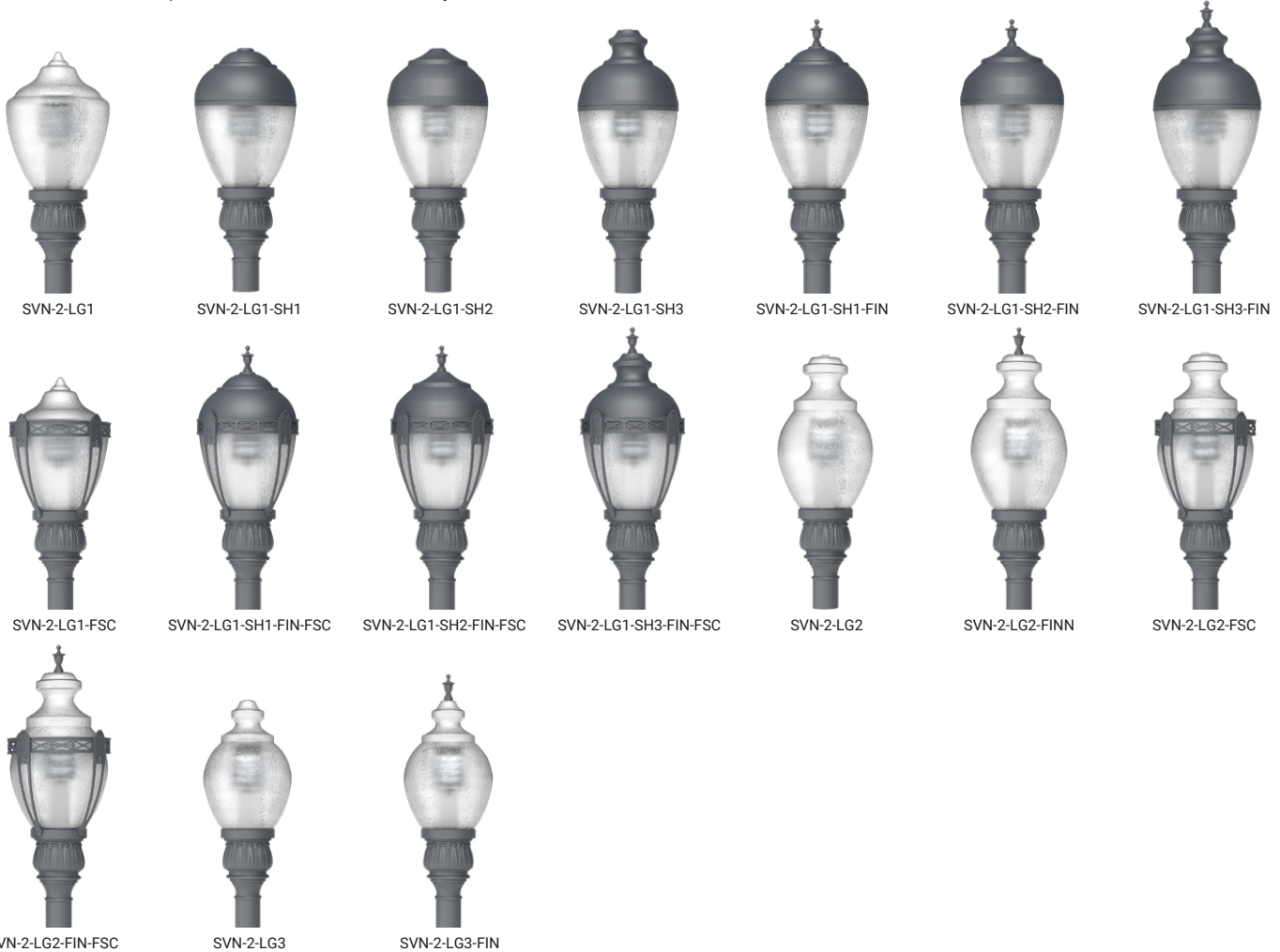
SVN-1-LG3-FIN

PRODUCT SPECIFICATIONS

SHADE & CONTROL OPTIONS

	SVN-2-LG1									SVN-2-LG2						SVN-2-LG3					
LG1 (G199)	X	X	X	X	X	X	X	X	X												
LG2 (G118)										X	X	X	X	X	X						
LG3 (G192)																X	X	X	X	X	X
SH1				X	X																
SH2						X	X														
SH3								X	X												
PCR (Inside Lens)		X									X	X					X	X			
PC			X	▶	▶	▶	▶	▶	▶					X	X					X	X
FSC				▶	▶	▶	▶	▶	▶	▶	▶	▶	▶	▶	▶						
HSS	▶	▶	▶	▶	▶	▶	▶	▶	▶	▶	▶	▶	▶	▶	▶	▶	▶	▶	▶	▶	▶
FIN				X	X	X	X	X	X	X	X	X	X	X	X	X	X	X	X	X	X
	SVN-2-LG1	SVN-2-LG1-PCR	SVN-2-LG1-PC	SVN-2-LG1-SH1	SVN-2-LG1-SH1-FIN	SVN-2-LG1-SH2	SVN-2-LG1-SH2-FIN	SVN-2-LG1-SH3	SVN-2-LG1-SH3-FIN	SVN-2-LG2	SVN-2-LG2-FIN	SVN-2-LG2-PCR	SVN-2-LG2-PCR-FIN	SVN-2-LG2-PC	SVN-2-LG2-PC-FIN	SVN-2-LG3	SVN-2-LG3-FIN	SVN-2-LG3-PCR	SVN-2-LG3-PCR-FIN	SVN-2-LG3-PC	SVN-2-LG3-PC-FIN

▶ Denotes options that can be added without any restrictions.

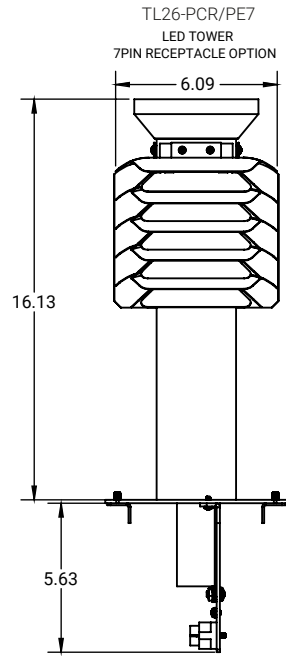
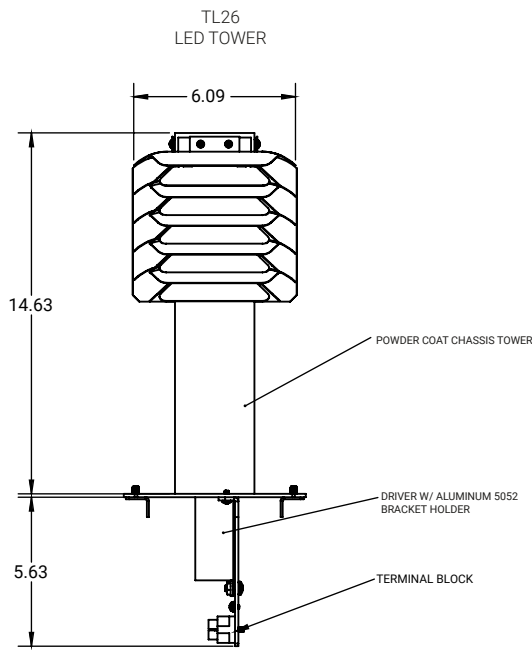
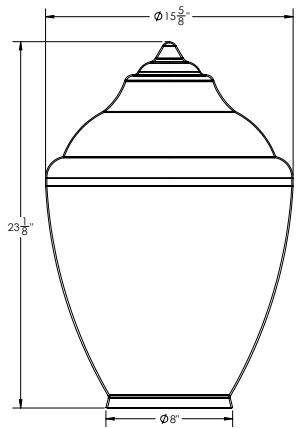


PRODUCT SPECIFICATIONS

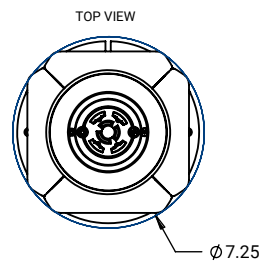
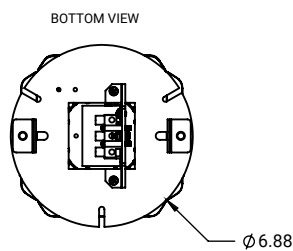
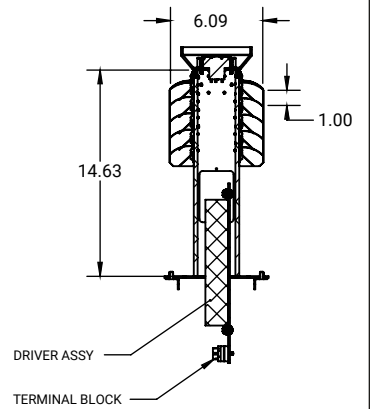
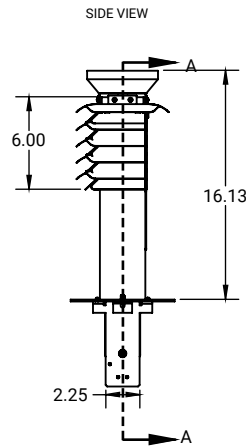
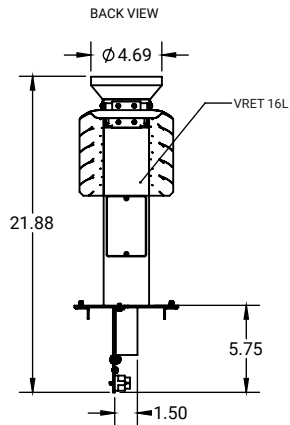
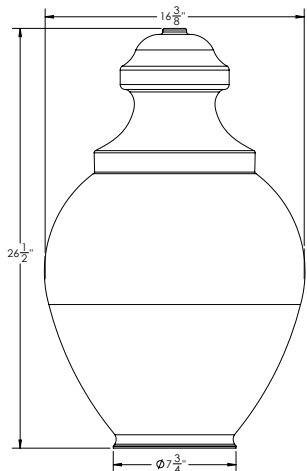
FOR LARGE LENS GLOBE (LG1-199) & (LG2-G118) LED TOWERS



LENS GLOBE 1



LENS GLOBE 2

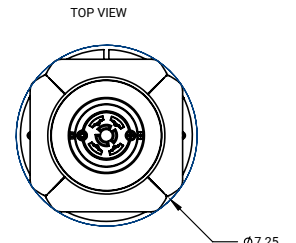
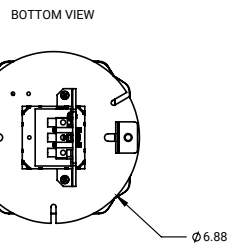
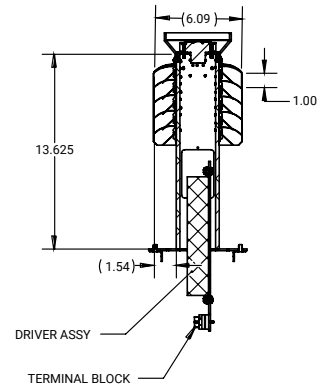
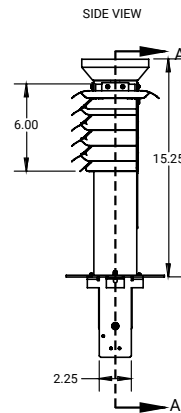
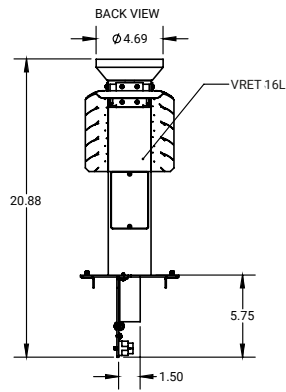
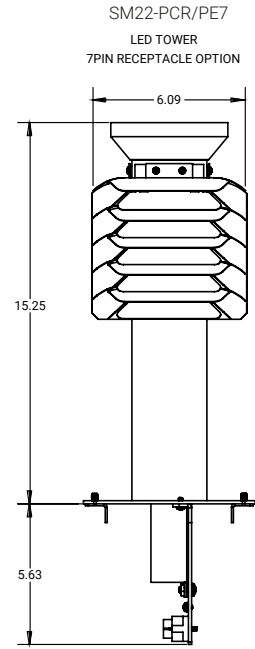
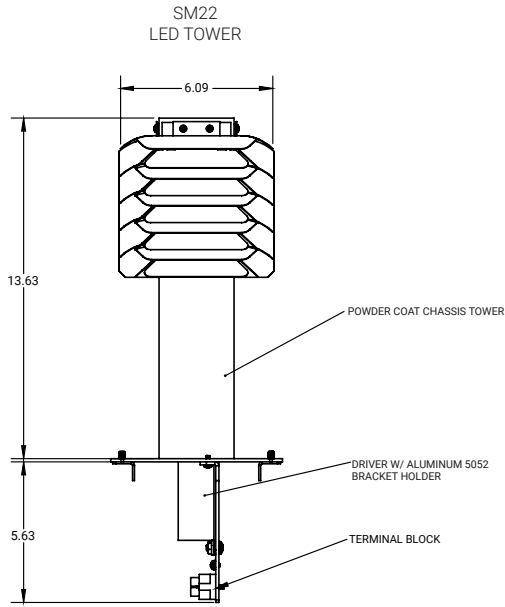
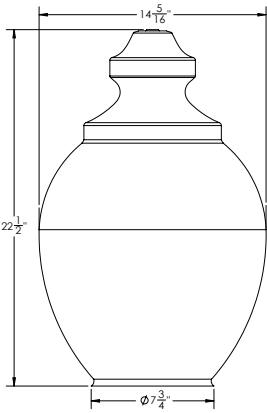


PRODUCT SPECIFICATIONS

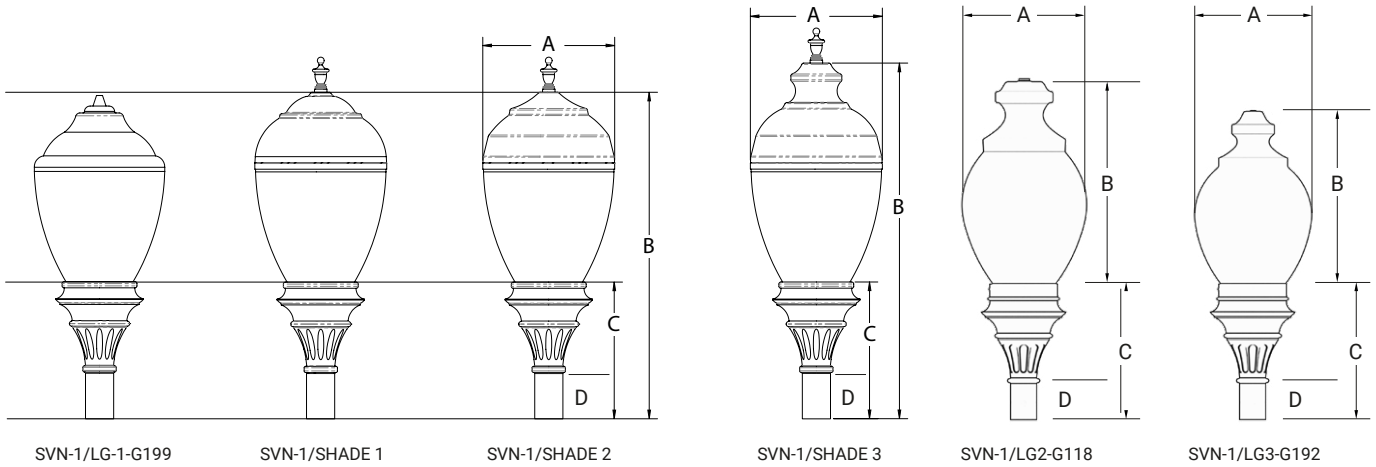
FOR SMALL LENS GLOBE (LG3-192) & LED TOWERS



LENS GLOBE 3

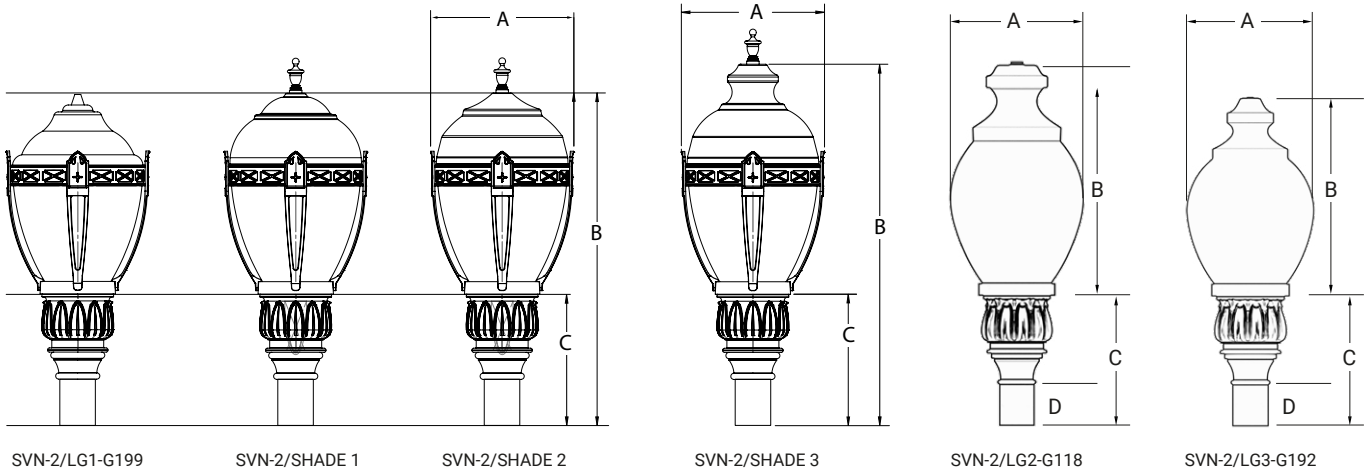


PRODUCT SPECIFICATIONS



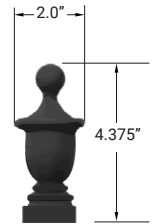
DIMENSIONS						
PART NUMBER	A	B	C	D	Weight	EPA
SVN-1/LG1-G199	15.88 in	34.13 in	17.00 in	4.50 in	23 lbs	1.10
SVN-1/SH1	15.88 in	34.13 in	17.00 in	4.50 in	24 lbs	1.14
SVN-1/SH2	15.88 in	34.13 in	17.00 in	4.50 in	24 lbs	1.14
SVN-1/SH3	15.88 in	34.13 in	17.00 in	4.50 in	24.5 lbs	1.24
SVN-1/LG2-G118	16.38 in	37.50 in	17.00 in	4.50 in	24 lbs	1.24
SVN-1/LG3-G192	14.31 in	33.50 in	17.00 in	4.50 in	20 lbs	1.00

If adding a Finial then height will be increased by 4.375", for the EPA add .015.



DIMENSIONS						
PART NUMBER	A	B	C	D	Weight	EPA
SVN-2/LG1-G199	15.88 in	33.43 in	16.57 in	4.50 in	24	1.13
SVN-2/SH1	15.88 in	33.43 in	16.57 in	4.50 in	25	1.16
SVN-2/SH2	15.88 in	33.43 in	16.57 in	4.50 in	25	1.16
SVN-2/SH3	15.88 in	33.43 in	16.57 in	4.50 in	26.5	1.26
SVN-2/LG2-G118	16.38 in	36.80 in	16.57 in	4.50 in	26	1.25
SVN-2/LG3-G192	16.38 in	32.80 in	16.57 in	4.50 in	21	1.00

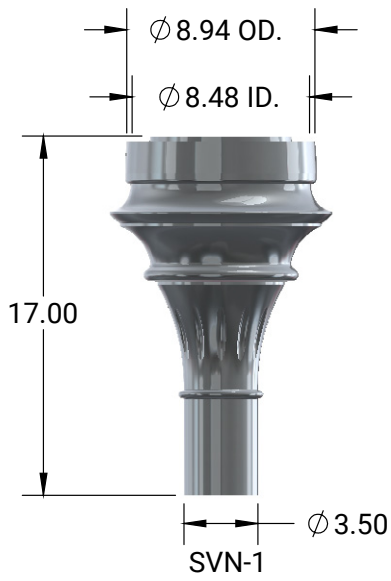
If adding a Finial then height will be increased by 4.375", for the EPA add .015.



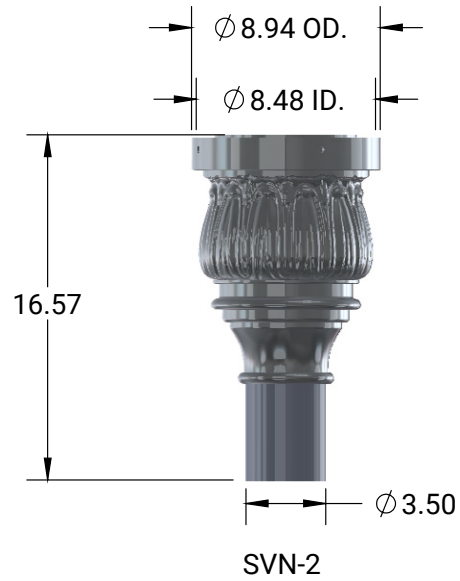
Standard Cast Finial for Shades

PRODUCT SPECIFICATIONS

MOUNTING HOLDERS

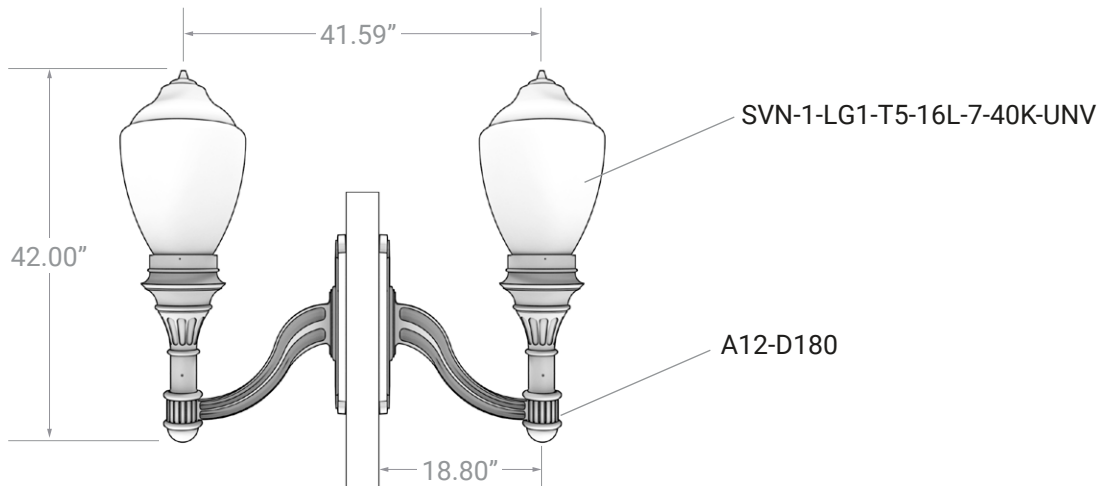
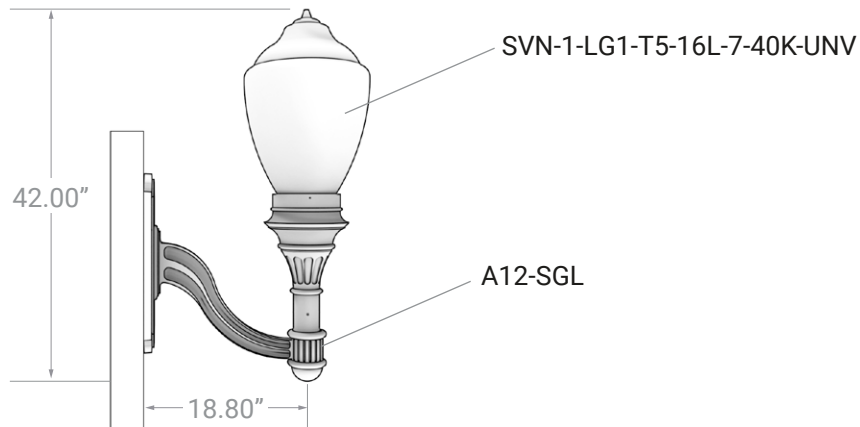


Fits over 3" *
Pole/Tenon



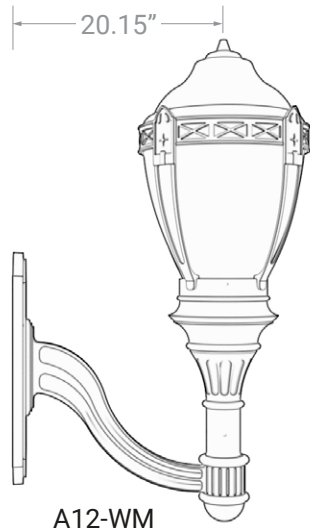
Fits over 3" *
Pole/Tenon

A12 ARM MOUNT

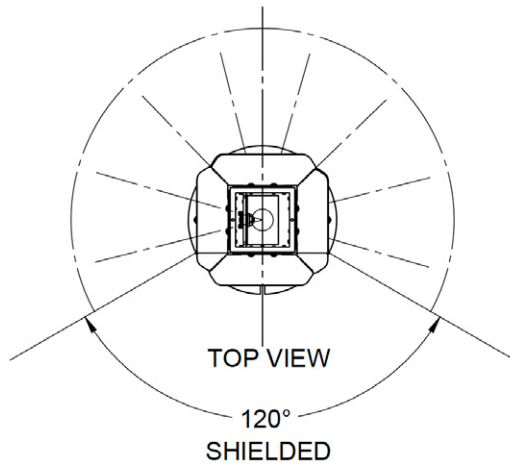


PRODUCT SPECIFICATIONS

A12 WALL MOUNT

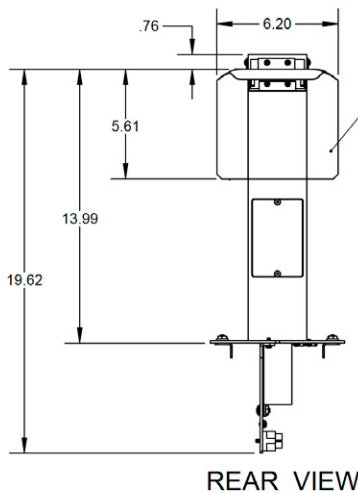


DCPT REFLECTOR DESIGN



House Side Shield

- Designed to reduce house side direct view of Primary LED Street Light Source at 120 Degrees
- Designed to achieve IES street lighting criteria and sidewalk criteria behind luminaire
- At 4000 Lumens less than 2.5 Watts of direct back light
- At 6000 Lumens less than 3.75 Watts of direct back light
- Achieves Dark Sky Project Criteria of less than 10% of total luminaire light distribution above 90 degrees
- Adjustable Wireless Remote Light Output Reduction Capability through 7-Pin Twist Lock Controller (by others)



House Side Shield Panel

Integrated into every fixture. Designed to achieve residential and urban street light and sidewalk lighting criteria while cutting direct view of LED street lighting light source at 120 degree angle.

