

Height

10' - 25'

Pole Shaft

Square straight aluminum 6061 alloy, extruded pole shaft. Heat treated to produce a T6 temper. Ground lug welded inside hand hole opposite side of the Pole Extrusion. Pole shaft is welded to base plate on top and bottom of base plate.

Internal Sleeve

All poles over 12 feet come with welded internal sleeves to help strengthen the pole structure and minimize aeolian vibration issues.

Base Plate

Machined from aluminum. The Base Plate vary in size from 3/4" thick for poles 10 to 20 feet, or 1" thick for poles 20 feet and over.

Anchor Bolts

All anchor bolts are hot dipped galvanized steel and come with two galvanized nuts and washers per bolt. Minimum yield strength 50,000 psi. Anchor bolts are not included for Custom Bolt Circle.

Base Cover

All base covers are fabricated two-piece 6063 aluminum and powder coated to match the pole.

Hand-Hole

A reinforced hand-hole is 12" on center from the base plate and is constructed of 3"x 5" rectangular aluminum tubing which is welded to pole shaft for added strength. The hand-hole covers are provided with internal bridge support and powder coated to match pole finish.

Pole Cap

All poles come with removable polymer pole cap installed. All pole caps are black finish. Aluminum Pole Cap option is painted to match pole.

Finish

All poles are treated with sand blast media for a near white finish, power blasted with 100 psi prior to powder coat application. Poles are pre-heated then electrostatically applied polyester powder coat with a 3 to 5 mil thickness for maximum adherence.

Marine Grade Finish

All poles are washed through a 5-stage cleaning system with a deionized rinse, a 3 to 5 mils zinc rich durable polyester primer powder coat, followed by a 3 to 5 mils super durable polyester powder coat finish.

Anodized Under Powder

Anodized Under Powder (AUP) poles are dipped in a 3 step process for a clear anodized finish inside and outside of the pole. The final stage is electrostatically applied polyester powder coat with a 3 to 5 mil thickness for maximum adherence.

Vibration Dampener

The Vibration Dampener is factory installed. The Vibration Dampener consists of a rugged galvanized chain coated with heavy duty polyester tubing that is factory secured at the bottom 2-3rds of the pole and field secured by contractor at the base during installation.

Buy American

To ensure the latest BAA/TAA/BABA Standards are being met, please select BAA, TAA, or BABA in the options section. Please contact the factory before placing an order for any NLS products requesting BAA (Buy American Act), TAA (Trade Agreement Act), or BABA (Build America, Buy America).



Project Name:

Type:

SSAP ORDERING GUIDE

Cat#	Height	Pole Dimension	Gauge	Base Pattern
Square Straight Aluminum Pole (SSAP)	10' (10) 12' (12) 14' (14) 16' (16) 18' (18) 20' (20) ^③ 22' (22) ^③ 24' (24) ^③ 25' (25) ^{③④}	4" Square (4S) 5" Square (5S) 6" Square (6S)	.120 Wall Thickness (120) .188 Wall Thickness (188) .25 Wall Thickness (250)	(10'-20') 8 3/16"- 10 3/16" Bolt Circle (6S will take 12BC at 20ft pole height) (9BC) (22'-Over) 11 1/2"- 14" Bolt Circle (12BC) Custom Bolt Circle (CBC) <i>* Consult Factory</i>

Mounting	Color	Bolts	Options
Single (SGL)	Bronze Textured (BRZ)	3/4" x 30" (3430)	GFI Kit (GFI20A) ^⑤ 20 Amp <i>Weather Proof Receptacle</i>
Double (D-90) (D-180)	White Textured (WHT)	1" x 36" (136)	GFI Provision Only (PROV)
Triple (T-90)	Smooth White Gloss (SWT)	Less Anchor Bolts (LAB)	1/2" Coupling (COUP) <i>* Specify Location</i>
Quad (QD)	Silver (SVR)		Vibration Dampener (VD)
No Drill (ND) <i>*Tenon Option</i>	Green Textured (GRN)		Extra Hand Hole (XHH) <i>* Specify Location</i>
Tenon	Hunter Green Textured (HGN)		Marine Grade Finish (MGF)
2 3/8" Round (T2R)	Black Textured (BLK)		Anodized Under Powder (AUP)
3" Round (T3R)	Smooth Black Gloss (SBK)		UL Certified with label (UL) ①
3 1/2" Round (T312R)	Graphite Textured (GPH)		Aluminum Pole Cap (APC) ②
4 1/2" Round (T412R)	Grey Textured (GRY)		Buy American Act (BAA) ②
3 1/2" Square (T312S)	Custom (CS)		Trade Agreement Act (TAA) ②
4 1/2" Square (T412S)			Build America Buy American (BABA) ②
5 1/2" Square (T512S)			

Notes:

- ① Aluminum Pole Cap must be selected for UL Certified Pole Option
- ② Consult Factory
- ③ Vibration Dampener recommend for pole height greater than 20ft
- ④ Poles greater than 25ft to have .250 wall and gussets
- ⑤ Standard weatherproof cover comes standard with option.
For lockable cover requests, please contact factory



701 Kingshill Place, Carson, CA 90746
Call Us Today (310) 341-2037

nlsighting.com

Max. allowable EPA - SSAP poles (per AASHTO LRFDLTS-1)

Catalog Number	Shaft Length, ft	Wall thickness, in.	Shaft dia., in.	Base Plate	Bolt Circle	Bolts	80 mph	Max. wt. (lb)	90 mph	Max. wt. (lb)	100 mph	Max. wt. (lb)	110 mph	Max. wt. (lb)	115 mph	Max. wt. (lb)	120 mph	Max. wt. (lb)	130 mph	Max. wt. (lb)	140 mph	Max. wt. (lb)	150 mph	Max. wt. (lb)	160 mph	Max. wt. (lb)	170 mph	Max. wt. (lb)	180 mph	Max. wt. (lb)
SSAP-10-4S-120-9BC	10	0.120	4	9"sq X 3/4"	9-3/16"	3/4"x30"	20.0	500	18.5	463	14.5	363	11.6	290	10.6	265	9.4	235	7.7	194	6.3	159	5.3	134	4.6	116	4.0	101	3.6	89
SSAP-12-4S-120-9BC	12	0.120	4	9"sq X 3/4"	9-3/16"	3/4"x30"	18.8	470	14.5	363	11.3	283	8.8	220	7.8	196	6.9	174	5.5	139	4.4	111	3.7	91	3.2	79	2.7	66	2.4	60
SSAP-14-4S-120-9BC	14	0.120	4	9"sq X 3/4"	9-3/16"	3/4"x30"	15.2	380	11.4	285	8.6	216	6.6	166	5.8	146	5.0	126	3.9	99	3.0	74	2.4	60	2.0	60	1.7	60	1.4	60
SSAP-15-4S-120-9BC	15	0.120	4	9"sq X 3/4"	9-3/16"	3/4"x30"	13.6	340	10.0	250	7.5	189	5.6	141	4.9	124	4.2	106	3.2	79	2.4	60	1.8	60	1.4	60	1.2	60	1.0	60
SSAP-16-4S-120-9BC	16	0.120	4	9"sq X 3/4"	9-3/16"	3/4"x30"	11.2	280	8.2	206	6.0	151	4.4	111	3.8	96	3.3	81	2.4	60	1.6	60	1.1	60	0.9	60	0.7	60	0.5	60
SSAP-18-4S-120-9BC	18	0.120	4	9"sq X 3/4"	9-3/16"	3/4"x30"	8.8	221	6.2	156	4.4	111	3.1	76	2.5	61	2.0	60	1.2	60	0.6	60	0.2	60	-	60	-	60	-	60
SSAP-10-4S-188-9BC	10	0.188	4	9"sq X 3/4"	9-3/16"	3/4"x30"	20.0	500	20.0	500	22.8	570	18.5	463	16.9	423	15.2	380	12.8	320	10.6	265	9.2	230	7.8	196	6.9	174	6.1	154
SSAP-12-4S-188-9BC	12	0.188	4	9"sq X 3/4"	9-3/16"	3/4"x30"	20.0	500	20.0	500	18.0	450	14.6	365	13.0	325	11.9	298	9.8	245	8.0	200	6.7	167	5.8	145	5.1	128	4.4	110
SSAP-14-4S-188-9BC	14	0.188	4	9"sq X 3/4"	9-3/16"	3/4"x30"	20.0	500	18.5	463	14.4	360	11.4	285	10.2	255	9.3	233	7.4	185	6.0	150	4.9	124	4.2	106	3.7	91	3.2	79
SSAP-15-4S-188-9BC	15	0.188	4	9"sq X 3/4"	9-3/16"	3/4"x30"	20.0	500	16.7	418	13.1	328	10.3	258	8.9	223	8.0	201	6.4	161	5.1	129	4.1	104	3.6	89	3.1	76	2.6	64
SSAP-16-4S-188-9BC	16	0.188	4	9"sq X 3/4"	9-3/16"	3/4"x30"	18.6	465	14.2	355	10.9	273	8.3	209	7.4	186	6.5	164	5.1	128	4.0	100	3.2	79	2.7	66	2.3	60	2.0	60
SSAP-18-4S-188-9BC	18	0.188	4	9"sq X 3/4"	9-3/16"	3/4"x30"	15.3	383	11.5	288	8.5	214	6.4	161	5.6	141	4.8	121	3.7	91	2.7	66	2.0	60	1.6	60	1.3	60	1.1	60
SSAP-20-4S-188-9BC	20	0.188	4	9"sq X 3/4"	9-3/16"	3/4"x30"	12.5	313	9.2	230	6.6	166	4.7	119	4.0	101	3.4	84	2.3	60	1.5	60	0.9	60	0.7	60	0.4	60	0.3	60
SSAP-22-4S-188-12BC	22	0.188	4	12"sq X 1"	12-3/4"	1"x36"	9.3	233	6.4	161	4.4	110	3.0	75	2.4	60	1.9	60	1.0	60	0.3	60	-	60	-	60	-	60	-	60
SSAP-24-4S-188-12BC	24	0.188	4	12"sq X 1"	12-3/4"	1"x36"	7.1	179	4.6	116	3.0	74	1.7	60	1.2	60	0.7	60	-	60	-	60	-	60	-	60	-	60	-	60
SSAP-25-4S-188-12BC	25	0.188	4	12"sq X 1"	12-3/4"	1"x36"	6.2	155	3.9	97	2.3	60	1.0	60	0.5	60	0.1	60	-	60	-	60	-	60	-	60	-	60	-	60
SSAP-15-4S-250-9BC	15	0.250	4	9"sq X 3/4"	9-3/16"	3/4"x30"	20.0	500	20.0	500	16.1	403	12.8	320	11.5	288	10.2	255	8.2	206	6.7	169	5.5	138	4.7	119	4.0	101	3.6	90
SSAP-16-4S-250-9BC	16	0.250	4	9"sq X 3/4"	9-3/16"	3/4"x30"	20.0	500	17.8	445	13.9	348	10.9	273	9.6	240	8.7	218	6.9	172	5.5	138	4.5	113	3.9	97	3.3	83	2.8	70
SSAP-18-4S-250-9BC	18	0.250	4	9"sq X 3/4"	9-3/16"	3/4"x30"	19.9	498	14.9	373	11.5	288	8.9	223	7.8	195	6.8	170	5.4	135	4.2	105	3.3	83	2.7	68	2.3	60	1.9	60
SSAP-20-4S-250-9BC	20	0.250	4	9"sq X 3/4"	9-3/16"	3/4"x30"	17.1	428	12.8	320	9.5	238	7.1	179	6.3	158	5.4	136	4.0	100	2.9	73	2.1	60	1.7	60	1.4	60	1.1	60
SSAP-22-4S-250-12BC	22	0.250	4	12"sq X 1"	12-3/4"	1"x36"	12.9	323	9.3	233	6.8	171	4.9	124	4.1	104	3.6	89	2.4	60	1.5	60	0.9	60	0.7	60	0.5	60	0.3	60
SSAP-24-4S-250-12BC	24	0.250	4	12"sq X 1"	12-3/4"	1"x36"	10.4	260	7.3	184	5.0	126	3.5	86	2.8	69	2.2	60	1.2	60	0.4	60	-	60	-	60	-	60	-	60
SSAP-25-4S-250-12BC	25	0.250	4	12"sq X 1"	12-3/4"	1"x36"	9.4	235	6.4	160	4.3	108	2.7	68	2.1	60	1.6	60	0.6	60	-	60	-	60	-	60	-	60	-	60

*Pole Assemblies With EPA>9.0 Require Specific Review




CAUTION: Installation of poles without luminaire(s) will compromise pole strength. Any accessories attached to the pole, or other modifications done in the field, will compromise the pole strength and may result in pole failure. Wind load evaluations and provisions for appendages such as banner arms, signage, cameras, etc., must be evaluated and approved by the factory prior to placing an order. Additional evaluation and approval should be performed by the customer's local structural engineer on the project.


***Anchor Bolts are NOT included with Custom Bolt Circle.
*Do NOT pour concrete referencing this drawing. Consult Factory.**

***All wind loading calculations are based on sustained wind force plus an additional 1.3 gust.**

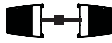
MOUNTING CONFIGURATION



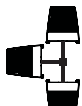
Single (SGL)



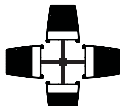
Double (D-90)



Double (D-180)



Triple (T-90)



Quad (QD)

BUY AMERICAN OPTION
While all of the NLS Lighting products listed in this document qualify for the Buy America(n) Act of 1933, we reserve the right to change our listings without notice.

The information provided above is for general informational purposes only. We encourage you to consult legal professionals for advice particular to your projects concerning BAA, TAA, BABA or Buy America.

Additional NLS Products that meet BAA, TAA standards can be found at the following link:

<https://nslighting.com/buy-american/>



701 Kingshill Place, Carson, CA 90746
Call Us Today (310) 341-2037

nslighting.com

Max. allowable EPA - SSAP poles (per AASHTO LRFDLTS-1)

Catalog Number	Shaft Length, ft	Wall thickness, in.	Shaft dia., in.	Base Plate	Bolt Circle	Bolts	80 mph	Max. wt. (lb)	90 mph	Max. wt. (lb)	100 mph	Max. wt. (lb)	110 mph	Max. wt. (lb)	115 mph	Max. wt. (lb)	120 mph	Max. wt. (lb)	130 mph	Max. wt. (lb)	140 mph	Max. wt. (lb)	150 mph	Max. wt. (lb)	160 mph	Max. wt. (lb)	170 mph	Max. wt. (lb)	180 mph	Max. wt. (lb)
SSAP-10-5S-120-9BC	10	0.120	5	9"sq X 3/4"	9-3/16"	3/4"x30"	20.0	500	20.0	500	20.0	500	19.5	488	17.6	440	16.2	405	13.7	343	11.7	293	10.1	253	8.8	219	7.6	191	6.7	169
SSAP-12-5S-120-9BC	12	0.120	5	9"sq X 3/4"	9-3/16"	3/4"x30"	20.0	500	20.0	500	19.0	475	15.3	383	13.6	340	12.3	308	10.5	263	8.9	221	7.6	191	6.6	166	5.7	144	5.1	126
SSAP-14-5S-120-9BC	14	0.120	5	9"sq X 3/4"	9-3/16"	3/4"x30"	20.0	500	19.6	490	15.2	380	12.1	303	10.6	265	9.7	243	7.9	199	6.7	169	5.7	144	5.0	124	4.3	106	3.8	94
SSAP-15-5S-120-9BC	15	0.120	5	9"sq X 3/4"	9-3/16"	3/4"x30"	20.0	500	17.8	445	13.6	340	10.7	268	9.5	238	8.3	209	6.9	174	5.8	146	5.0	124	4.3	106	3.7	91	3.2	79
SSAP-16-5S-120-9BC	16	0.120	5	9"sq X 3/4"	9-3/16"	3/4"x30"	19.9	498	14.8	370	11.4	285	8.7	216	7.6	191	6.7	169	5.7	141	4.7	116	4.0	99	3.4	84	2.9	71	2.5	61
SSAP-18-5S-120-9BC	18	0.120	5	9"sq X 3/4"	9-3/16"	3/4"x30"	16.3	408	12.1	303	8.9	221	6.5	164	5.7	141	5.0	124	4.1	101	3.3	81	2.8	69	2.3	60	1.9	60	1.6	60
SSAP-10-5S-188-9BC	10	0.188	5	9"sq X 3/4"	9-3/16"	3/4"x30"	20.0	500	20.0	500	20.0	500	20.0	500	20.0	500	20.0	500	20.0	500	18.7	468	16.2	405	14.0	350	12.5	313	11.1	278
SSAP-12-5S-188-9BC	12	0.188	5	9"sq X 3/4"	9-3/16"	3/4"x30"	20.0	500	20.0	500	20.0	500	20.0	500	20.0	500	20.0	500	17.2	430	14.6	365	12.6	315	11.1	278	9.8	245	8.5	214
SSAP-14-5S-188-9BC	14	0.188	5	9"sq X 3/4"	9-3/16"	3/4"x30"	20.0	500	20.0	500	20.0	500	19.9	498	17.9	448	16.4	410	13.8	345	11.6	290	10.0	250	8.7	218	7.6	190	6.7	168
SSAP-15-5S-188-9BC	15	0.188	5	9"sq X 3/4"	9-3/16"	3/4"x30"	20.0	500	20.0	500	20.0	500	18.1	453	16.1	403	14.6	365	12.4	310	10.4	260	8.9	223	7.8	195	6.8	170	6.0	150
SSAP-16-5S-188-9BC	16	0.188	5	9"sq X 3/4"	9-3/16"	3/4"x30"	20.0	500	20.0	500	19.1	478	15.1	378	13.5	338	12.2	305	10.2	255	8.6	215	7.4	186	6.4	161	5.6	139	4.9	121
SSAP-18-5S-188-9BC	18	0.188	5	9"sq X 3/4"	9-3/16"	3/4"x30"	20.0	500	20.0	500	15.8	395	12.4	310	11.0	275	9.9	248	8.1	203	6.8	170	5.8	145	5.0	125	4.3	108	3.7	93
SSAP-20-5S-188-9BC	20	0.188	5	9"sq X 3/4"	9-3/16"	3/4"x30"	20.0	500	17.3	433	13.1	328	10.0	250	8.6	215	7.6	190	6.3	158	5.2	130	4.4	110	3.7	93	3.2	80	2.7	68
SSAP-22-5S-188-9BC	22	0.188	5	9"sq X 3/4"	9-3/16"	3/4"x30"	17.9	448	13.1	328	9.7	243	7.0	175	6.0	150	5.2	130	4.2	105	3.4	85	2.8	70	2.3	60	1.9	60	1.6	60
SSAP-24-5S-188-12BC	24	0.188	5	12"sq X 1"	12-3/4"	1"x36"	15.0	375	10.5	263	7.5	187	5.2	130	4.3	108	3.6	90	2.8	70	2.2	60	1.7	60	1.4	60	1.1	60	0.8	60
SSAP-25-5S-188-12BC	25	0.188	5	12"sq X 1"	12-3/4"	1"x36"	13.6	340	9.4	235	6.5	162	4.3	108	3.5	88	2.9	73	2.2	60	1.6	60	1.2	60	0.9	60	0.6	60	0.4	60
SSAP-10-5S-250-9BC	10	0.250	5	9"sq X 3/4"	9-3/16"	3/4"x30"	20.0	500	20.0	500	20.0	500	20.0	500	20.0	500	20.0	500	20.0	500	20.0	500	18.2	455	15.9	398	14.0	350	12.5	313
SSAP-12-5S-250-9BC	12	0.250	5	9"sq X 3/4"	9-3/16"	3/4"x30"	20.0	500	20.0	500	20.0	500	20.0	500	20.0	500	20.0	500	19.3	483	16.7	418	14.4	360	12.7	318	11.0	275	9.9	248
SSAP-14-5S-250-9BC	14	0.250	5	9"sq X 3/4"	9-3/16"	3/4"x30"	20.0	500	20.0	500	20.0	500	20.0	500	20.0	500	18.9	473	15.7	393	13.4	335	11.6	290	10.0	250	9.0	225	7.8	196
SSAP-15-5S-250-9BC	15	0.250	5	9"sq X 3/4"	9-3/16"	3/4"x30"	20.0	500	20.0	500	20.0	500	20.0	500	18.7	468	16.9	423	14.2	355	12.2	305	10.6	265	9.0	225	7.8	195	7.1	178
SSAP-16-5S-250-9BC	16	0.250	5	9"sq X 3/4"	9-3/16"	3/4"x30"	20.0	500	20.0	500	20.0	500	17.7	443	15.9	398	14.3	358	12.2	305	10.3	258	8.8	220	7.6	190	6.7	168	5.9	148
SSAP-18-5S-250-9BC	18	0.250	5	9"sq X 3/4"	9-3/16"	3/4"x30"	20.0	500	20.0	500	18.7	468	14.8	370	13.2	330	11.9	298	9.9	248	8.2	206	7.0	176	6.1	154	5.4	134	4.7	116
SSAP-20-5S-250-9BC	20	0.250	5	9"sq X 3/4"	9-3/16"	3/4"x30"	20.0	500	20.0	500	15.9	398	12.2	305	10.8	270	9.6	240	8.0	201	6.7	169	5.7	144	4.9	121	4.2	105	3.6	90
SSAP-22-5S-250-9BC	22	0.250	5	9"sq X 3/4"	9-3/16"	3/4"x30"	20.0	500	16.3	408	12.4	310	9.3	233	8.0	200	7.1	178	5.8	145	4.8	120	4.2	105	3.4	85	2.9	73	2.5	63
SSAP-24-5S-250-12BC	24	0.250	5	12"sq X 1"	12-3/4"	1"x36"	20.0	500	14.6	365	10.6	265	7.8	195	6.8	170	5.9	148	4.8	120	3.9	97	3.2	80	2.7	68	2.1	60	1.8	60
SSAP-25-5S-250-12BC	25	0.250	5	12"sq X 1"	12-3/4"	1"x36"	18.7	468	13.4	335	9.7	243	7.0	175	5.9	148	5.2	130	4.1	103	3.4	85	2.7	68	2.2	60	1.7	60	1.5	60

*Pole Assemblies With EPA>9.0 Require Specific Review



Max. allowable EPA - SSAP poles (per AASHTO LRFDLTS-1)

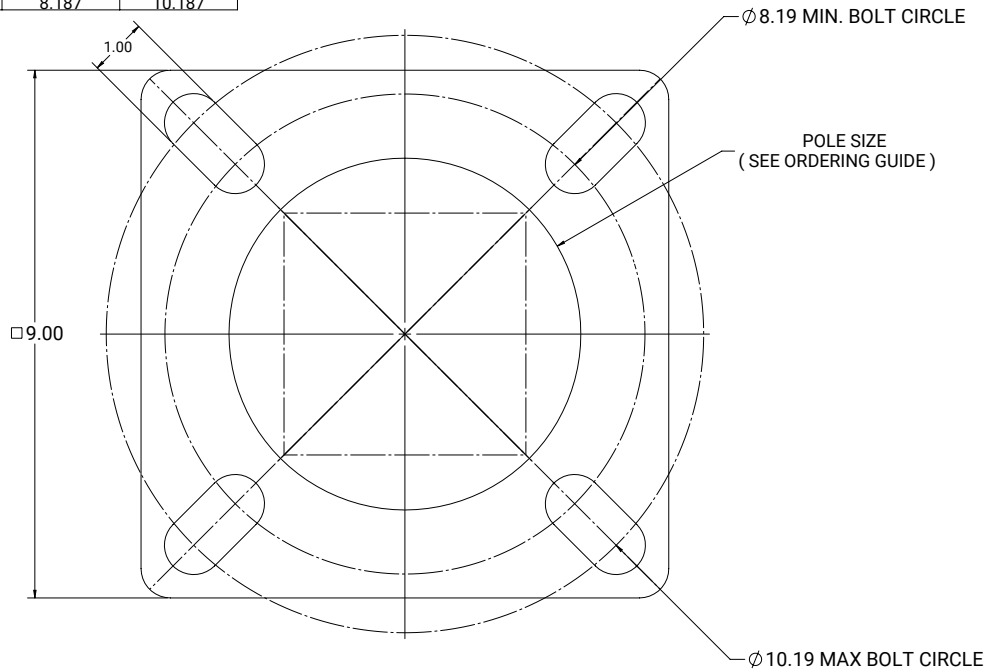
Catalog Number	Shaft Length, ft	Wall thickness, in.	Shaft dia., in.	Base Plate	Bolt Circle	Bolts	80 mph	Max. wt. (lb)	90 mph	Max. wt. (lb)	100 mph	Max. wt. (lb)	110 mph	Max. wt. (lb)	115 mph	Max. wt. (lb)	120 mph	Max. wt. (lb)	130 mph	Max. wt. (lb)	140 mph	Max. wt. (lb)	150 mph	Max. wt. (lb)	160 mph	Max. wt. (lb)	170 mph	Max. wt. (lb)	180 mph	Max. wt. (lb)		
SSAP-10-6S-120-9BC	10	0.120	6	9"sq X 3/4"	10-3/16"	3/4"x30"	20.0	500	20.0	500	20.0	500	20.0	500	20.0	500	20.0	500	20.0	500	20.0	500	20.0	500	20.0	500	20.0	500	20.0	500		
SSAP-12-6S-120-9BC	12	0.120	6	9"sq X 3/4"	10-3/16"	3/4"x30"	20.0	500	20.0	500	20.0	500	20.0	500	20.0	500	19.8	495	16.9	423	14.3	358	12.5	313	10.9	273	9.6	240	8.4	210		
SSAP-14-6S-120-9BC	14	0.120	6	9"sq X 3/4"	10-3/16"	3/4"x30"	20.0	500	20.0	500	20.0	500	19.4	485	17.5	438	16.0	400	13.6	340	11.6	290	10.0	250	8.6	215	7.5	188	6.6	165		
SSAP-16-6S-120-9BC	16	0.120	6	9"sq X 3/4"	10-3/16"	3/4"x30"	20.0	500	20.0	500	18.0	450	14.6	365	13.4	335	12.2	305	10.1	253	8.6	215	7.4	185	6.4	160	5.5	138	4.9	123		
SSAP-18-6S-120-9BC	18	0.120	6	9"sq X 3/4"	10-3/16"	3/4"x30"	20.0	500	19.2	480	14.7	368	12.0	300	10.7	268	9.7	243	8.1	203	6.8	170	5.8	145	5.0	125	4.3	108	3.7	93		
SSAP-20-6S-120-12BC	20	0.120	6	12"sq X 1"	11-1/8"	1"x36"	20.0	500	17.1	428	12.6	315	10.0	250	8.6	215	7.7	193	6.4	160	5.3	133	4.5	113	3.8	95	3.2	80	2.8	70		
SSAP-22-6S-120-12BC	22	0.120	6	12"sq X 1"	11-1/8"	1"x36"	18.1	453	15.0	375	10.2	255	8.0	200	6.6	165	5.4	135	4.4	110	3.6	90	3.0	75	2.5	63	2.1	60	1.7	60		
SSAP-24-6S-120-12BC	24	0.120	6	12"sq X 1"	11-1/8"	1"x36"	14.4	360	11.1	278	6.5	163	5.0	125	4.4	110	3.9	98	3.1	78	2.5	63	2.0	60	1.6	60	1.3	60	1.0	60		
SSAP-25-6S-120-12BC	25	0.120	6	12"sq X 1"	11-1/8"	1"x36"	11.0	275	8.2	205	5.5	138	4.2	105	3.7	93	3.3	83	2.5	63	2.0	60	1.5	60	1.2	60	0.9	60	0.7	60		
SSAP-10-6S-188-9BC	10	0.188	6	9"sq X 3/4"	10-3/16"	3/4"x30"	20.0	500	20.0	500	20.0	500	20.0	500	20.0	500	20.0	500	20.0	500	20.0	500	20.0	500	20.0	500	19.1	478	17.1	428		
SSAP-12-6S-188-9BC	12	0.188	6	9"sq X 3/4"	10-3/16"	3/4"x30"	20.0	500	20.0	500	20.0	500	20.0	500	20.0	500	20.0	500	20.0	500	20.0	500	20.0	500	17.5	438	15.3	383	13.7	343		
SSAP-14-6S-188-9BC	14	0.188	6	9"sq X 3/4"	10-3/16"	3/4"x30"	20.0	500	20.0	500	20.0	500	20.0	500	20.0	500	20.0	500	20.0	500	18.8	470	16.4	410	14.3	358	12.6	315	11.2	280		
SSAP-16-6S-188-9BC	16	0.188	6	9"sq X 3/4"	10-3/16"	3/4"x30"	20.0	500	20.0	500	20.0	500	20.0	500	20.0	500	20.0	500	17.0	425	14.5	363	12.5	313	10.9	273	9.7	243	8.5	213		
SSAP-18-6S-188-9BC	18	0.188	6	9"sq X 3/4"	10-3/16"	3/4"x30"	20.0	500	20.0	500	20.0	500	20.0	500	18.5	463	16.9	423	14.3	358	12.2	305	10.5	263	9.1	228	7.8	196	7.0	175		
SSAP-20-6S-188-12BC	20	0.188	6	12"sq X 1"	11-1/8"	1"x36"	20.0	500	20.0	500	20.0	500	17.3	433	15.7	393	14.3	358	12.0	300	10.0	250	8.6	215	7.4	185	6.4	160	5.6	140		
SSAP-22-6S-188-12BC	22	0.188	6	12"sq X 1"	11-1/8"	1"x36"	20.0	500	20.0	500	16.4	410	13.1	328	11.8	295	10.7	268	8.9	223	7.5	188	6.4	160	5.5	138	4.7	118	4.1	103		
SSAP-24-6S-188-12BC	24	0.188	6	12"sq X 1"	11-1/8"	1"x36"	20.0	500	18.1	453	13.6	340	10.9	273	9.8	245	8.7	218	7.2	180	6.0	150	5.0	125	4.3	108	3.6	90	3.1	78		
SSAP-25-6S-188-12BC	25	0.188	6	12"sq X 1"	11-1/8"	1"x36"	20.0	500	16.6	415	12.3	308	9.8	245	8.7	218	7.8	195	6.4	160	5.3	133	4.4	110	3.7	93	3.1	78	2.7	68		
SSAP-10-6S-250-9BC	10	0.250	6	12"sq X 1"	10-3/16"	3/4"x30"	20.0	500	20.0	500	20.0	500	20.0	500	20.0	500	20.0	500	20.0	500	20.0	500	20.0	500	20.0	500	20.0	500	20.0	500	18.3	458
SSAP-12-6S-250-9BC	12	0.250	6	12"sq X 1"	10-3/16"	3/4"x30"	20.0	500	20.0	500	20.0	500	20.0	500	20.0	500	20.0	500	20.0	500	20.0	500	20.0	500	18.8	470	16.7	418	14.8	370		
SSAP-14-6S-250-9BC	14	0.250	6	12"sq X 1"	10-3/16"	3/4"x30"	20.0	500	20.0	500	20.0	500	20.0	500	20.0	500	20.0	500	20.0	500	17.9	448	15.7	393	13.9	348	12.2	305				
SSAP-16-6S-250-9BC	16	0.250	6	12"sq X 1"	10-3/16"	3/4"x30"	20.0	500	20.0	500	20.0	500	20.0	500	20.0	500	20.0	500	19.1	478	16.4	410	14.1	353	12.2	305	10.8	270	9.5	238		
SSAP-18-6S-250-9BC	18	0.250	6	12"sq X 1"	10-3/16"	3/4"x30"	20.0	500	20.0	500	20.0	500	20.0	500	20.0	500	19.2	480	16.2	405	13.6	340	11.7	293	10.2	255	8.8	220	7.8	195		
SSAP-20-6S-250-12BC	20	0.250	6	12"sq X 1"	11-1/8"	1"x36"	20.0	500	20.0	500	20.0	500	20.0	500	18.1	453	16.7	418	14.0	350	11.9	298	10.1	253	8.7	218	7.6	190	6.7	168		
SSAP-22-6S-250-12BC	22	0.250	6	12"sq X 1"	11-1/8"	1"x36"	20.0	500	20.0	500	19.6	490	15.9	398	14.2	355	13.1	328	10.8	270	9.2	230	7.8	195	6.7	168	5.8	145	5.1	128		
SSAP-24-6S-250-12BC	24	0.250	6	12"sq X 1"	11-1/8"	1"x36"	20.0	500	20.0	500	16.6	415	13.4	335	12.1	303	11.0	275	9.2	230	7.6	190	6.5	163	5.5	138	4.8	120	4.1	103		
SSAP-25-6S-250-12BC	25	0.250	6	12"sq X 1"	11-1/8"	1"x36"	20.0	500	20.0	500	15.5	388	12.5	313	11.1	278	10.1	253	8.3	208	7.1	178	5.8	145	5.0	125	4.3	108	3.7	93		

*Pole Assemblies With EPA>9.0 Require Specific Review



9" Bolt Circle

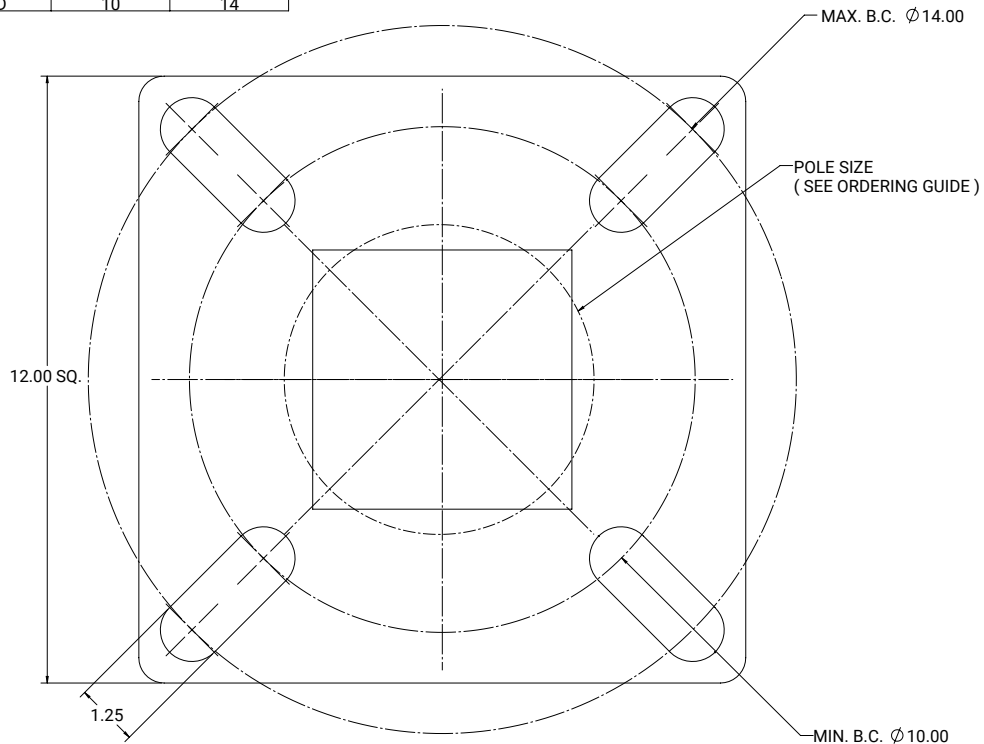
POLE		BOLT CIRCLE	
		MIN.	MAX.
4SQ	4RD	8.187	10.187
5SQ	5RD	8.187	10.187
-	6RD	8.187	10.187



9SQ BASE PLATE
 MATERIAL: .75" THICK A36 STEEL

12" Bolt Circle

POLE		BOLT CIRCLE	
		MIN.	MAX.
4SQ	4RD	10	14
5SQ	5RD	10	14
-	6RD	10	14



12SQ BASE PLATE
 MATERIAL: 1" THICK A36 STEEL

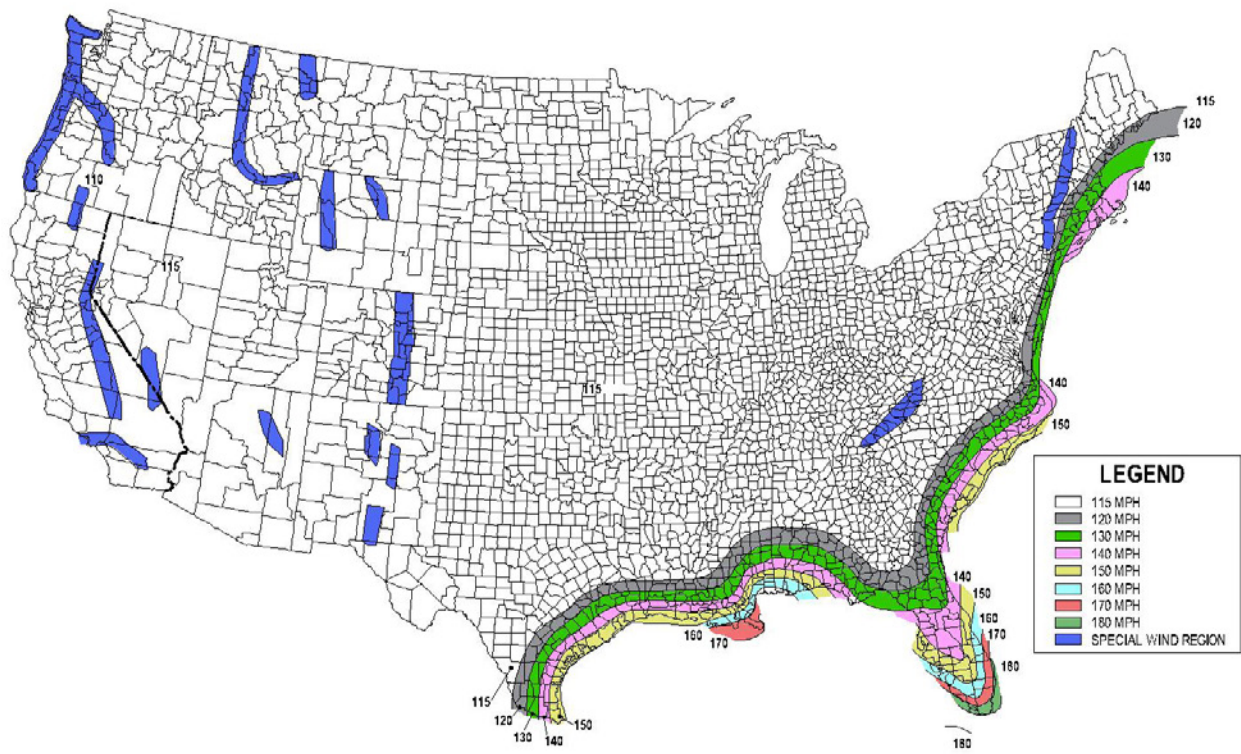
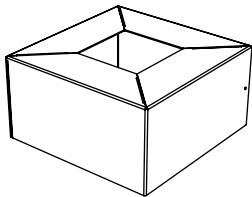
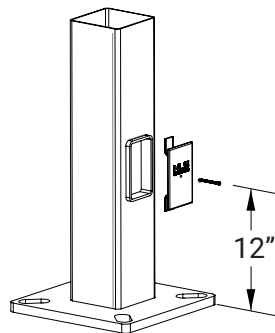


FIG. 3.8-1b - 700-Year MRI Basic Wind Speed, mph (AASHTO LRFDLTS-1)

- 1) All wind load calculations are based on sustained wind force plus and additional 1.3 gust
- 2) Wind Map is to be used as a reference only. Please coordinate with local agencies for further review.
- 3) Wind Map values are based on a 50 year mean recurrence. These values do not account for severe conditions, such as hurricanes, tornadoes, etc...
- 4) For review of poles with additional configurations (arms, banners, shorter/longer pole lengths, etc...), please contact factory.



Base Cover



Base Detail