



Height

10' - 25'

Pole Shaft

Round straight aluminum 6061 alloy, extruded pole shaft. Heat treated to produce a T6 temper. Ground lug welded inside hand hole opposite side of the Pole Extrusion. Pole shaft is welded to base plate on top and bottom of base plate.

Internal Sleeve

All poles over 12 feet come with welded internal sleeves to help strengthen the pole structure and minimize aeolian vibration issues.

Base Plate

Manufactured from aluminum. The Base Plate vary in size from 3/4" thick for poles 10 to 20 feet, or 1" thick for poles 22 feet and over.

Anchor Bolts

All anchor bolts are hot dipped galvanized steel and come with two galvanized nuts and washers per bolt. Minimum yield strength 50,000 psi. Anchor bolts are not included for Custom Bolt Circle.

Base Cover

All base covers are fabricated two-piece 6063 aluminum and powder coated to match the pole. Square base cover comes standard, Round base cover optional.

Hand-Hole

A reinforced hand-hole is 12" on center from the base plate and is constructed of 3"x 5" rectangular aluminum tubing which is welded to pole shaft for added strength. The hand-hole covers are provided with internal bridge support and powder coated to match pole finish.

Pole Cap

All poles come with removable polymer pole cap installed. All pole caps are black finish. Aluminum Pole Cap option is painted to match pole.

Finish

All poles are treated with sand blast media for a near white finish, power blasted with 100 psi prior to powder coat application. Poles are pre-heated then electrostatically applied polyester powder coat with a 3 to 5 mil thickness for maximum adherence.

Marine Grade Finish

All poles are washed through a 5-stage cleaning system with a deionized rinse, a 3 to 5 mils zinc rich durable polyester primer powder coat, followed by a 3 to 5 mils super durable polyester powder coat finish.

Anodized Under Powder

Anodized Under Powder (AUP) poles are dipped in a 3 step process for a clear anodized finish inside and outside of the pole. The final stage is electrostatically applied polyester powder coat with a 3 to 5 mil thickness for maximum adherence.

Vibration Dampener

The Vibration Dampener is factory installed. The Vibration Dampener consists of a rugged galvanized chain coated with heavy duty polyester tubing that is factory secured at the bottom 2-3rds of the pole and field secured by contractor at the base during installation.

Buy American

To ensure the latest BAA/TAA/BABA Standards are being met, please select BAA, TAA, or BABA in the options section. Please contact the factory before placing an order for any NLS products requesting BAA (Buy American Act), TAA (Trade Agreement Act), or BABA (Build America, Buy America).



Project Name:

Type:

RSAP ORDERING GUIDE

| Cat# | Height | Pole Dimension | Gauge | Base Pattern |
|---|---|---|---|---|
| Round Straight Aluminum Pole (RSAP) | 10' (10) 12' (12) 14' (14) 16' (16) 18' (18) 20' (20) 22' (22) 24' (24) ^③ 25' (25) ^{③ ④} | 4" Round (4R) 5" Round (5R) 6" Round (6R) | .120 Wall Thickness (120) .188 Wall Thickness (188) .25 Wall Thickness (250) | (10'-20') 8 3/16"- 10 3/16" Bolt Circle (9BC) (22'-Over) 11 1/2"- 14" Bolt Circle (12BC) Custom Bolt Circle (CBC) * Consult Factory |

| Mounting | Color | Bolts | Options |
|---|---------------------------------------|--------------------------------------|---|
| Single (SGL) | Bronze Textured (BRZ) | 3/4" x 30" (3430) | GFI Kit (GF120A) ^⑤ 20 Amp Weather Proof Receptacle |
| Double (D-90) (D-180) | White Textured (WHT) | 1" x 36" (136) | GFI Provision Only (PROV) |
| Triple (T-90) | Smooth White Gloss (SWT) | Less Anchor Bolts (LAB) | Round Base Cover (RBC) *Consult Factory for Pricing |
| Quad (QD) | Silver (SVR) | | 1/2" Coupling (COUP) * Specify Location |
| No Drill (ND) *Tenon Option | Green Textured (GRN) | | Vibration Dampener (VD) |
| Tenon | Hunter Green Textured (HGN) | | Extra Hand Hole (XHH) * Specify Location |
| 2 3/8" Round (T2R) | Black Textured (BLK) | | Marine Grade Finish (MGF) |
| 3" Round (T3R) | Smooth Black Gloss (SBK) | | Anodized Under Powder (AUP) |
| 3 1/2" Round (T312R) | Graphite Textured (GPH) | | UL Certified with label (UL) ① |
| 4 1/2" Round (T412R) | Grey Textured (GRY) | | Aluminum Pole Cap (APC) ② |
| | Custom (CS) | | Buy American Act (BAA) ② |
| | | | Trade Agreement Act (TAA) ② |
| | | | Build America Buy American (BABA) ② |

Notes:

- ① Aluminum Pole Cap must be selected for UL Certified Pole Option
- ② Consult Factory
- ③ Vibration Dampener recommend for pole height greater than 24ft
- ④ Poles greater than 25ft to have .250 wall and gussets
- ⑤ Standard weatherproof cover comes standard with option.
For lockable cover requests, please contact factory



701 Kingshill Place, Carson, CA 90746
Call Us Today (310) 341-2037

nslighting.com

Max. allowable EPA - RSAP poles (per AASHTO LRFDLTS-1)

| Catalog Number | Shaft Length, ft | Wall thickness, in. | Shaft dia., in. | Base Plate, in. | Bolt Circle, in. | Bolts | 80 mph | Max. wt. (lb) | 90 mph | Max. wt. (lb) | 100 mph | Max. wt. (lb) | 110 mph | Max. wt. (lb) | 115 mph | Max. wt. (lb) | 120 mph | Max. wt. (lb) | 130 mph | Max. wt. (lb) | 140 mph | Max. wt. (lb) | 150 mph | Max. wt. (lb) | 160 mph | Max. wt. (lb) | 170 mph | Max. wt. (lb) | 180 mph | Max. wt. (lb) |
|-------------------------|------------------|---------------------|-----------------|-----------------|------------------|----------|--------|---------------|--------|---------------|---------|---------------|---------|---------------|---------|---------------|---------|---------------|---------|---------------|---------|---------------|---------|---------------|---------|---------------|---------|---------------|---------|---------------|
| RSAP-10-4R-120-9BC-3430 | 10 | 0.120 | 4 | 9" sq. | 9 | 3/4"x30" | 20.0 | 500 | 18.4 | 460 | 14.6 | 365 | 11.7 | 293 | 10.5 | 263 | 9.5 | 238 | 7.8 | 195 | 6.4 | 160 | 5.3 | 134 | 4.6 | 116 | 4.1 | 103 | 3.6 | 90 |
| RSAP-12-4R-120-9BC-3430 | 12 | 0.120 | 4 | 9" sq. | 9 | 3/4"x30" | 18.8 | 470 | 14.4 | 360 | 11.2 | 280 | 8.8 | 220 | 7.9 | 197 | 7.0 | 175 | 5.6 | 140 | 4.5 | 113 | 3.7 | 92 | 3.1 | 78 | 2.7 | 68 | 2.3 | 60 |
| RSAP-14-4R-120-9BC-3430 | 14 | 0.120 | 4 | 9" sq. | 9 | 3/4"x30" | 15.1 | 378 | 11.3 | 283 | 8.7 | 218 | 6.7 | 167 | 5.8 | 145 | 5.1 | 128 | 4.0 | 100 | 3.0 | 75 | 2.3 | 60 | 1.9 | 60 | 1.6 | 60 | 1.4 | 60 |
| RSAP-15-4R-120-9BC-3430 | 15 | 0.120 | 4 | 9" sq. | 9 | 3/4"x30" | 13.6 | 340 | 10.1 | 253 | 7.6 | 190 | 5.7 | 143 | 5.0 | 125 | 4.3 | 108 | 3.2 | 80 | 2.4 | 60 | 1.8 | 60 | 1.4 | 60 | 1.2 | 60 | 0.9 | 60 |
| RSAP-16-4R-120-9BC-3430 | 16 | 0.120 | 4 | 9" sq. | 9 | 3/4"x30" | 11.2 | 280 | 8.3 | 207 | 6.1 | 153 | 4.5 | 113 | 3.9 | 97 | 3.3 | 83 | 2.4 | 60 | 1.6 | 60 | 1.1 | 60 | 0.9 | 60 | 0.7 | 60 | 0.5 | 60 |
| RSAP-18-4R-120-9BC-3430 | 18 | 0.120 | 4 | 9" sq. | 9 | 3/4"x30" | 8.9 | 223 | 6.4 | 160 | 4.5 | 113 | 3.1 | 78 | 2.5 | 63 | 2.0 | 60 | 1.2 | 60 | 0.6 | 60 | 0.2 | 60 | - | - | - | - | - | - |
| RSAP-10-5R-120-9BC-3430 | 10 | 0.120 | 5 | 9" sq. | 9 | 3/4"x30" | 20.0 | 500 | 20.0 | 500 | 20.0 | 500 | 19.5 | 488 | 17.6 | 440 | 16.2 | 405 | 13.6 | 340 | 11.6 | 290 | 10.1 | 253 | 8.8 | 220 | 7.7 | 192 | 6.8 | 170 |
| RSAP-12-5R-120-9BC-3430 | 12 | 0.120 | 5 | 9" sq. | 9 | 3/4"x30" | 20.0 | 500 | 20.0 | 500 | 19.0 | 475 | 15.3 | 383 | 13.8 | 345 | 12.3 | 308 | 10.5 | 263 | 8.9 | 223 | 7.6 | 190 | 6.6 | 165 | 5.8 | 145 | 5.1 | 128 |
| RSAP-14-5R-120-9BC-3430 | 14 | 0.120 | 5 | 9" sq. | 9 | 3/4"x30" | 20.0 | 500 | 19.7 | 493 | 15.2 | 380 | 11.9 | 298 | 10.6 | 265 | 9.5 | 238 | 8.0 | 200 | 6.8 | 170 | 5.8 | 145 | 5.0 | 125 | 4.3 | 108 | 3.8 | 95 |
| RSAP-15-5R-120-9BC-3430 | 15 | 0.120 | 5 | 9" sq. | 9 | 3/4"x30" | 20.0 | 500 | 17.6 | 440 | 13.7 | 343 | 10.5 | 263 | 9.5 | 238 | 8.4 | 210 | 7.0 | 175 | 5.9 | 148 | 5.0 | 125 | 4.3 | 108 | 3.7 | 92 | 3.2 | 80 |
| RSAP-16-5R-120-9BC-3430 | 16 | 0.120 | 5 | 9" sq. | 9 | 3/4"x30" | 19.9 | 498 | 15.0 | 375 | 11.3 | 283 | 8.7 | 218 | 7.7 | 192 | 6.8 | 170 | 5.6 | 140 | 4.7 | 118 | 4.0 | 100 | 3.4 | 85 | 2.9 | 73 | 2.5 | 63 |
| RSAP-18-5R-120-9BC-3430 | 18 | 0.120 | 5 | 9" sq. | 9 | 3/4"x30" | 16.3 | 408 | 12.1 | 303 | 8.9 | 223 | 6.7 | 167 | 5.7 | 143 | 5.0 | 125 | 4.1 | 103 | 3.3 | 83 | 2.8 | 70 | 2.3 | 60 | 1.9 | 60 | 1.6 | 60 |
| RSAP-10-6R-120-9BC-3430 | 10 | 0.120 | 6 | 9" sq. | 9 | 3/4"x30" | 20.0 | 500 | 20.0 | 500 | 20.0 | 500 | 20.0 | 500 | 20.0 | 500 | 20.0 | 500 | 20.0 | 500 | 18.1 | 453 | 15.7 | 393 | 13.7 | 343 | 12.2 | 305 | 10.8 | 270 |
| RSAP-12-6R-120-9BC-3430 | 12 | 0.120 | 6 | 9" sq. | 9 | 3/4"x30" | 20.0 | 500 | 20.0 | 500 | 20.0 | 500 | 20.0 | 500 | 20.0 | 500 | 19.9 | 498 | 16.7 | 418 | 14.4 | 360 | 12.5 | 313 | 10.9 | 273 | 9.4 | 235 | 8.4 | 210 |
| RSAP-14-6R-120-9BC-3430 | 14 | 0.120 | 6 | 9" sq. | 9 | 3/4"x30" | 20.0 | 500 | 20.0 | 500 | 20.0 | 500 | 19.4 | 485 | 17.5 | 438 | 16.1 | 403 | 13.4 | 335 | 11.6 | 290 | 9.8 | 245 | 8.6 | 215 | 7.5 | 188 | 6.7 | 168 |
| RSAP-15-6R-120-9BC-3430 | 15 | 0.120 | 6 | 9" sq. | 9 | 3/4"x30" | 20.0 | 500 | 20.0 | 500 | 20.0 | 500 | 17.5 | 438 | 15.8 | 395 | 14.5 | 363 | 12.2 | 305 | 10.2 | 255 | 8.8 | 220 | 7.6 | 190 | 6.7 | 168 | 5.9 | 148 |
| RSAP-16-6R-120-9BC-3430 | 16 | 0.120 | 6 | 9" sq. | 9 | 3/4"x30" | 20.0 | 500 | 20.0 | 500 | 18.1 | 453 | 14.6 | 365 | 13.2 | 330 | 12.0 | 300 | 10.2 | 255 | 8.6 | 215 | 7.3 | 183 | 6.3 | 158 | 5.5 | 138 | 4.8 | 120 |
| RSAP-18-6R-120-9BC-3430 | 18 | 0.120 | 6 | 9" sq. | 9 | 3/4"x30" | 20.0 | 500 | 19.2 | 480 | 14.7 | 368 | 11.8 | 295 | 10.8 | 270 | 9.7 | 243 | 8.2 | 205 | 6.9 | 173 | 5.8 | 145 | 5.0 | 125 | 4.3 | 108 | 3.8 | 95 |


*Pole Assemblies With EPA>9.0 Require Specific Review

CAUTION: Installation of poles without luminaire(s) will compromise pole strength. Any accessories attached to the pole, or other modifications done in the field, will compromise the pole strength and may result in pole failure. Wind load evaluations and provisions for appendages such as banner arms, signage, cameras, etc., must be evaluated and approved by the factory prior to placing an order. Additional evaluation and approval should be performed by the customer's local structural engineer on the project.


***Anchor Bolts are NOT included with Custom Bolt Circle.
*Do NOT pour concrete referencing this drawing. Consult Factory.**

***All wind loading calculations are based on sustained wind force plus an additional 1.3 gust.**


MOUNTING CONFIGURATION




Single
(SGL)



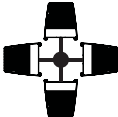
Double
(D-90)



Double
(D-180)



Triple
(T-90)



Quad
(QD)

BUY AMERICAN OPTION

While all of the NLS Lighting products listed in this document qualify for the Buy America(n) Act of 1933, we reserve the right to change our listings without notice.

The information provided above is for general informational purposes only. We encourage you to consult legal professionals for advice particular to your projects concerning BAA, TAA, BABA or Buy America.

Additional NLS Products that meet BAA, TAA standards can be found at the following link:

<https://nslighting.com/buy-american/>

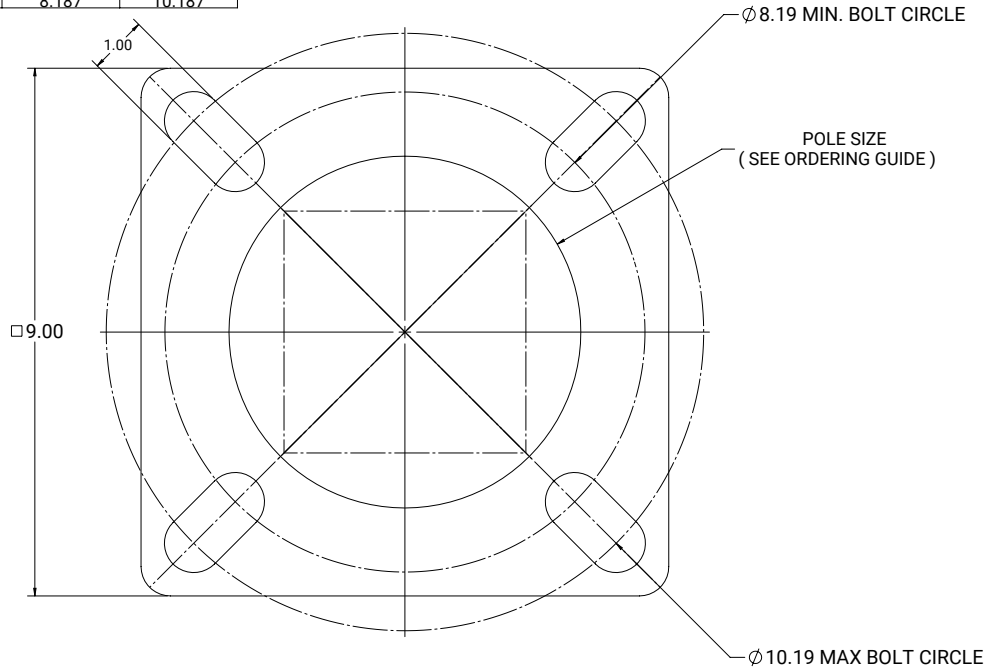


701 Kingshill Place, Carson, CA 90746
Call Us Today (310) 341-2037

nslighting.com

9" Bolt Circle

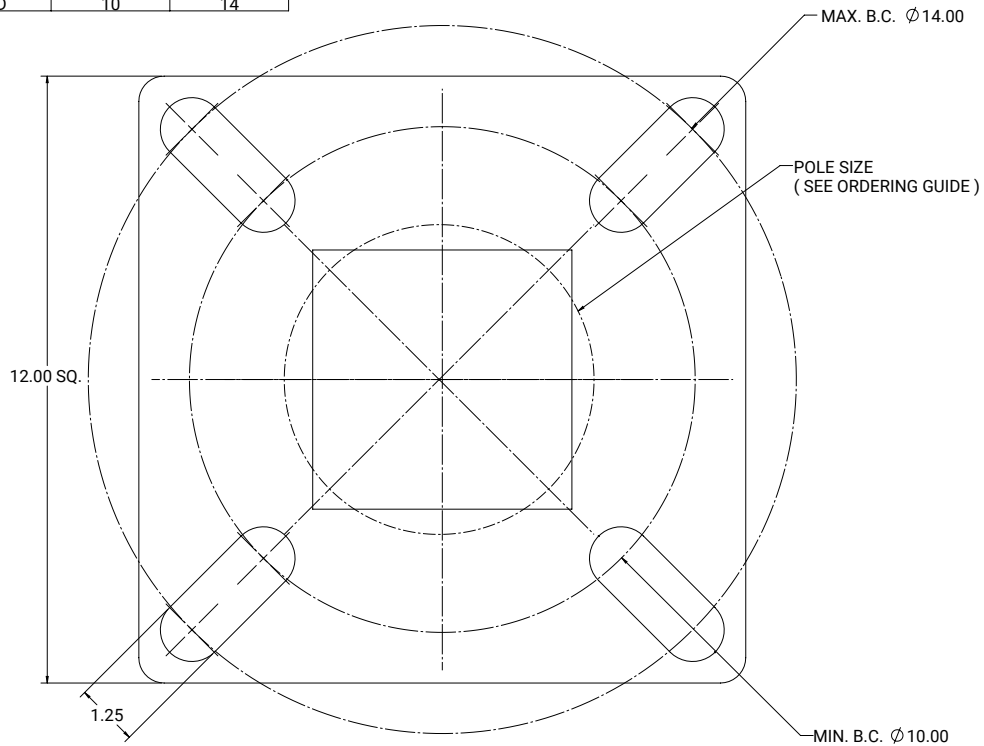
| POLE | | BOLT CIRCLE | |
|------|-----|-------------|--------|
| | | MIN. | MAX. |
| 4SQ | 4RD | 8.187 | 10.187 |
| 5SQ | 5RD | 8.187 | 10.187 |
| - | 6RD | 8.187 | 10.187 |



9SQ BASE PLATE
MATERIAL: .75" THICK A36 STEEL

12" Bolt Circle

| POLE | | BOLT CIRCLE | |
|------|-----|-------------|------|
| | | MIN. | MAX. |
| 4SQ | 4RD | 10 | 14 |
| 5SQ | 5RD | 10 | 14 |
| - | 6RD | 10 | 14 |



12SQ BASE PLATE
MATERIAL: 1" THICK A36 STEEL

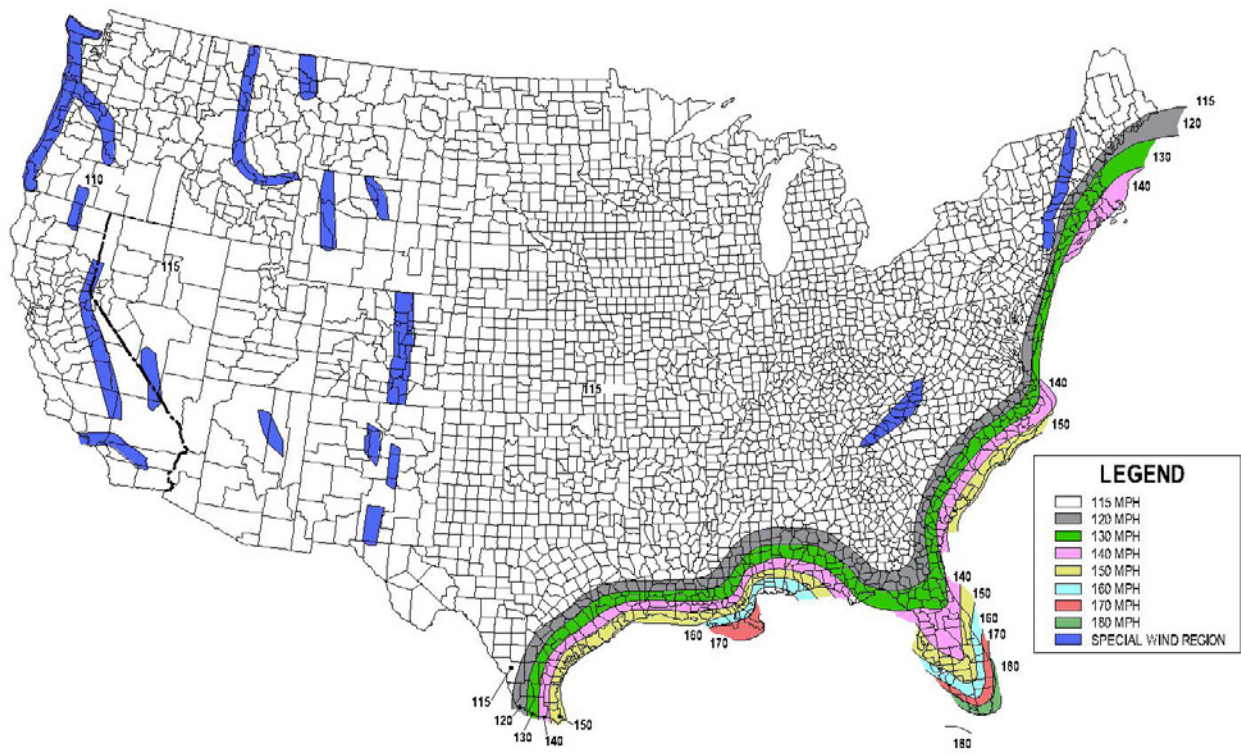
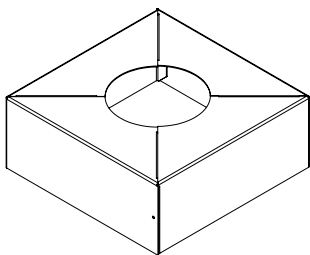
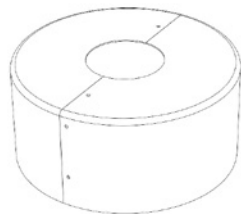


FIG. 3.8-1b - 700-Year MRI Basic Wind Speed, mph (AASHTO LRFDLTS-1)

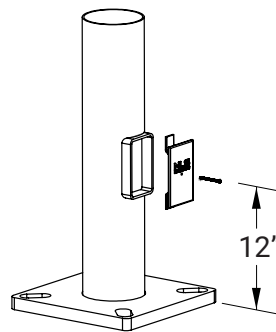
- 1) All wind load calculations are based on sustained wind force plus and additional 1.3 gust
- 2) Wind Map is to be used as a reference only. Please coordinate with local agencies for further review.
- 3) Wind Map values are based on a 50 year mean recurrence. These values do not account for severe conditions, such as hurricanes, tornadoes, etc...
- 4) For review of poles with additional configurations (arms, banners, shorter/longer pole lengths, etc...), please contact factory.



Base Cover



Optional Round
Base Cover



Base Detail