



The **Quick Mount Bracket** is designed for ease of installation when purchasing new poles and new fixtures. It is designed for 2x4 extruded NLS arms only.

Finish: 3-5 mils electrostatic powder coat. NLS' standard high-quality finishes prevent corrosion protects against extreme environmental conditions.

Compatibility: *Fits 2X4 extruded arm.* Square Straight Steel (SSSP), Square Straight Aluminum (SSAP), Round Straight Steel (RSSP) or Round Straight Aluminum (RSAP) poles in 3"-4", or 5"-6" OD.

Construction: Cleat, Cleat Cover and RPA are Cast Aluminum. Grade 356 Alloy.




Extruded Aluminum arm is 6061/T3 Alloy



Project Name:

Type:

RQMB ORDERING GUIDE

Cat#	Pole Dim.	Color
		
Retrofit Quick Mount Bracket (RQMB)	Square (SQ)	Bronze Textured (BRZ)
	Round 3"-4" OD (RPA4)	White Textured (WHT)
	5"-6" OD (RPA5)	Smooth White Gloss (SWT)
		Silver Metallic (SVR)
		Black Textured (BLK)
		Smooth Black Gloss (SBK)
		Graphite Textured (GPH)
		Grey Textured (GRY)
		Green Textured (GRN)
		Hunter Green Textured (HGN)
		Custom (CS)

Notes:

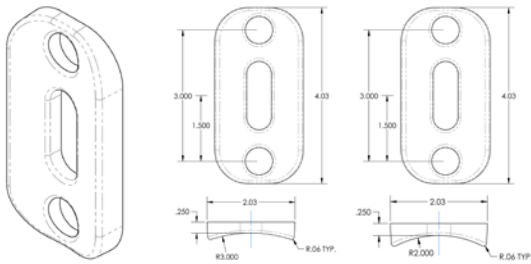
NLS
LIGHTING

701 Kingshill Place, Carson, CA 90746
Call Us Today (310) 341-2037

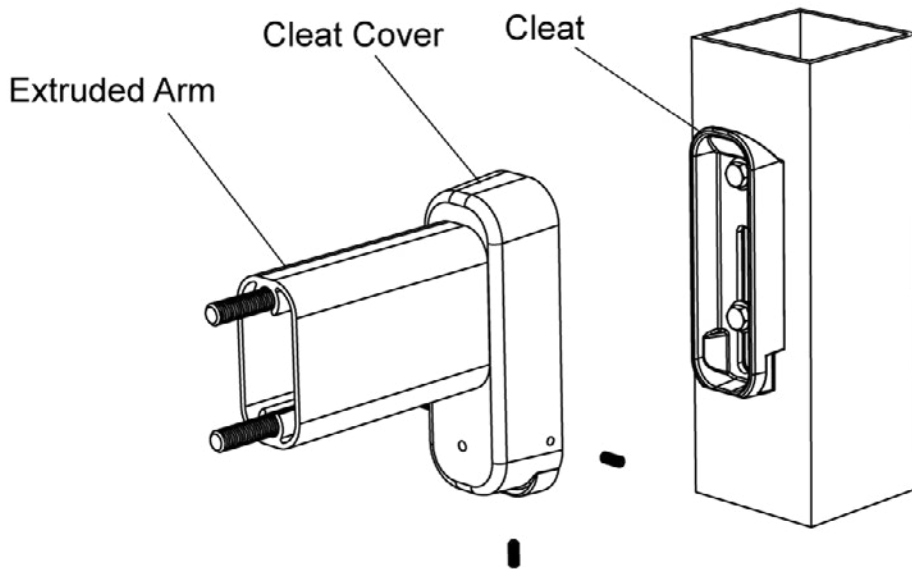
nslighting.com

PRODUCT SPECIFICATIONS

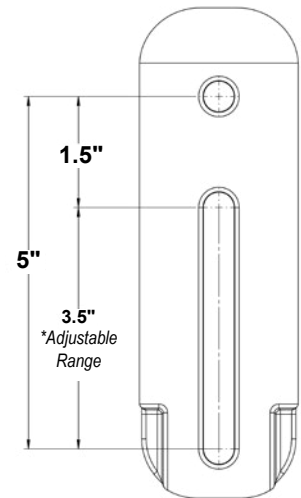
RPA4 / RPA5



ROUND POLE ADAPTER (RPA)– When using round poles, specify Round Pole Adapter (RPA). Specify RPA4 when installing on 3"-4" round poles, and RPA5 when installing on 5"-6" round poles.



RQMB DRILL PATTERN



** Elongated slotted hole to accommodate most existing pole drill patterns.*

3-STEP INSTALLATION



STEP 1

Align cleft with fixture after installing on pole (apply over existing hole pattern).



STEP 2

Hook fixture onto QMB/RQMB cleft.



STEP 3

Secure (3) Set Screws into QMB/RQMB.