



The **Quick Mount Bracket** is designed for ease of installation when purchasing new poles and new fixtures. It is designed for 2x4 extruded NLS arms only.

Finish: 3-5 mils electrostatic powder coat. NLS' standard high quality finishes prevent corrosion protects against extreme environmental conditions.

Compatibility: *Fits 2X4 extruded arm.* Square Straight Steel (SSSP), Square Straight Aluminum (SSAP), Round Straight Steel (RSSP) or Round Straight Aluminum (RSAP) poles in 3"-4", or 5"-6" OD.

Construction: Cleat, Cleat Cover and RPA are Cast Aluminum. Grade 356 Alloy.




Extruded Aluminum arm is 6061/T3 Alloy



Project Name:

Type:

QMB ORDERING GUIDE

| Cat# | Pole Dim. | Color |
|---|---|---|
|  |  |  |
| Quick Mount Bracket (QMB) | Square (SQ) | Bronze Textured (BRZ) |
| | Round 3"-4" OD (RPA4) | White Textured (WHT) |
| | 5"-6" OD (RPA5) | Smooth White Gloss (SWT) |
| | | Silver Metallic (SVR) |
| | | Black Textured (BLK) |
| | | Smooth Black Gloss (SBK) |
| | | Graphite Textured (GPH) |
| | | Grey Textured (GRY) |
| | | Green Textured (GRN) |
| | | Hunter Green Textured (HGN) |
| | | Custom (CS) |

Notes:

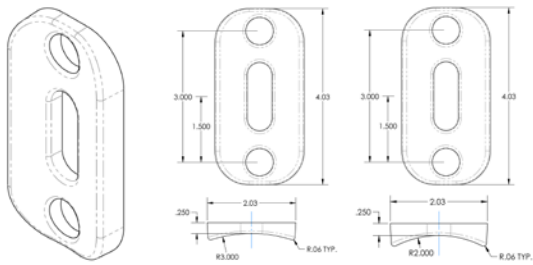
NLS
LIGHTING

701 Kingshill Place, Carson, CA 90746
Call Us Today (310) 341-2037

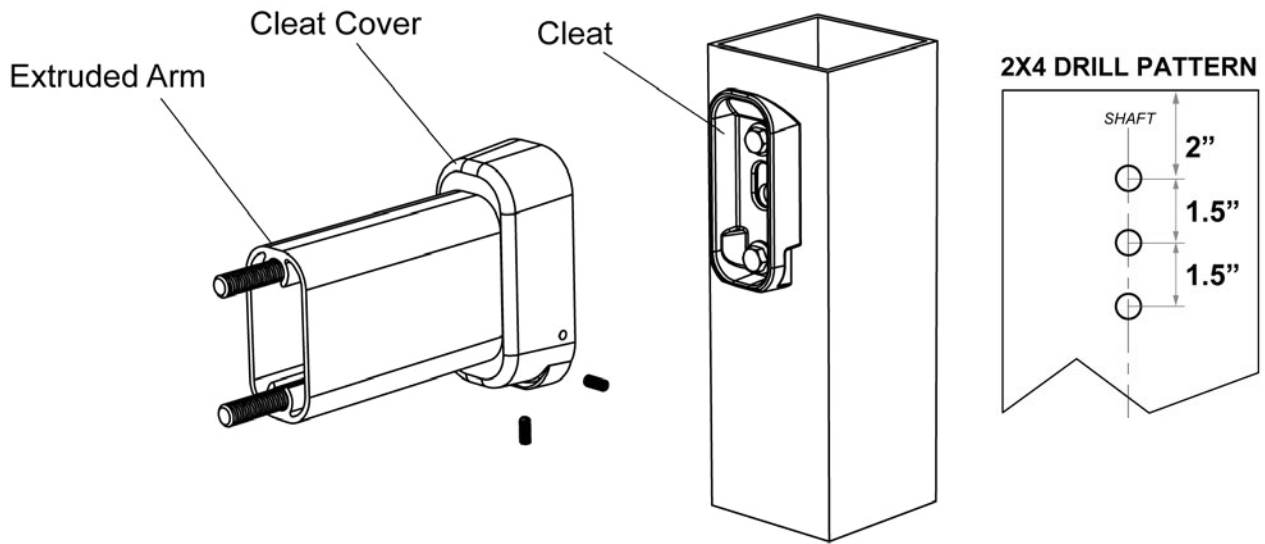
nslighting.com

PRODUCT SPECIFICATIONS

RPA4 / RPA5



ROUND POLE ADAPTER (RPA)– When using round poles, specify Round Pole Adapter (RPA). Specify RPA4 when installing on 3"-4" round poles, and RPA5 when installing on 5"-6" round poles.



3-STEP INSTALLATION



STEP 1

Align cleat with fixture after installing on pole (apply over existing hole pattern).



STEP 2

Hook fixture onto QMB/RQMB cleat.



STEP 3

Secure (3) Set Screws into QMB/RQMB.