



*Globe and Mounting Holder ordered separately

WATTAGE & LUMEN CHART

Lumen Package

	4,000	6,000	8,000	8,000	10,000
CCT (80CRI)	2700K	2700K	2700K	3000K	3000K
Lumen Range	3992-4,342	6,050-6,623	7,735-8,254	8,293-8,850	10,408-10,957
Wattage Range	38	55	74	74	94
Nominal Uplight (%)¹	> 10%	> 10%	> 10%	> 10%	> 10%

The Post Top Acorn Retrofit Kit (PTARK) was installed on 17,000 poles throughout Washington DC and is now entrusted to beautify and protect America's most prized monuments and buildings. Consult factory if your retrofit needs to meet DDOT specifications.

Having pleased the International Dark Sky Association, the Historical Society and DC Department of Transportation (DDOT) NLS was awarded one of the largest post top lighting contracts in history.

PTARK meets stringent municipal lighting criteria, including yielding less than 10% uplight and delivering more than 100 Lumens per Watt at 2700K & 80 CRI. PTAR has a single light source appearance without globe contrast between up and down light. PTARK meets IES RP8 requirements for urban and residential streets, roads and sidewalks.

Built for municipalities, the PTARK offers internal agnostic controls and the option of choosing Dali II drivers. Optically, it distributes light from its patented adjustable Star Power optical system and has an optional integrated house side shield, cutting view of the light source at 120 degrees on the house side.

BUY AMERICAN

To ensure the latest BAA/TAA/BABA Standards are being met, please select BAA, TAA, or BABA in the options section. Please contact the factory before placing an order for any NLS products requesting BAA (Buy American Act), TAA (Trade Agreement Act), or BABA (Build America, Buy America).

FEATURES & SPECIFICATIONS

- Less than 10% uplight¹
- 100+ Lumens per Watt at 2700K & 3000K at 80 CRI²
- 2700K & 3000K Kelvin temperature offerings at 80 CRI
- Type III Asymmetric or Type V Symmetric Distributions
- Available with Dali II driver.
- Available with 7-Pin Receptacle per ANSI C136.41 and can be wired to accept a remote monitoring control node for luminaire.
- All internal components are pre-wired using modular electrical connections
- Assembly has a visible arrow indicating the "STREET SIDE" of the luminaire
- Provided with a terminal block for fast, secure wiring
- Fastener Slots to match existing hole patterns for fast installation. Standard hole pattern shown in this spec sheet (Consult factory for other hole pattern requirements)
- Acrylic Lens Globes LG1-G199 & LG2-G118 (Large) or LG3-G192 (Small). Replacement Lens Globes can be ordered and shipped separately
- Optional full cut off clip on House Side Shield available. Type III only.

¹ Averaged Uplight % for all of the configurations

² Not always applicable in cases with House Side Shield option



STAR POWER™ OPTICAL SYSTEM

The Star Power™ reflector is an excellent system which provides great value and performance. Star Power Patent number: 10168023

Project Name:

Type:

PTARK ORDERING GUIDE

Cat#	Tower Length	Light Dist.	No. of LEDs	Lumens	Kelvin
Post Top Retrofit (PTARK)	SM 22 (SM22) ①	Type 3 Asymmetric Optimized (T3)	16 LED (Type 3 Only) (16L)	4,000 (4)	2700K, 80 CRI - Std. (27K8) ②
	TL 26 (TL26) ⑦	Type 5 Symmetric Optimized (T5) ①	20 LED (Type 3 Only) (20L)	6,000 (6)	3000K, 80 CRI - Std. (30K8) ②
		TX (TX) ③		8,000 (8)	Amber 585-600nm - Custom (AMBER) ④ ⑤ ⑥
				10,000 (10)	2700K, 70 CRI - Custom (27K7) ④ ⑤
					2700K, 80 CRI - Std. (27K8) ④ ⑤
					3000K, 70 CRI - Custom (30K7) ④ ⑤
					3000K, 80 CRI - Std. (30K8) ④ ⑤
					3500K, 80 CRI - Custom (35K8) ④ ⑤
					4000K, 70 CRI - Custom (40K7) ④ ⑤
					4000K, 80 CRI - Custom (40K8) ④ ⑤
				5000K, 70 CRI - Custom (50K7) ④ ⑤	
				5000K, 80 CRI - Custom (50K8) ④ ⑤	

Volts

Mounting Provisions

Options

120-277
(UNV)

No Mounting
(NO)

Nema 7-Pin Receptacle
(PE7)

347-480
(HV) ①

SVN-1
Mounting Holder
(SVN-1) ②

Lens Globe 1
(LG1-G199)



Dali II
(D2) ①
120-277V

SVN-2
Mounting Holder
(SVN-2) ②

Lens Globe 2
(LG2-G118)



MT-X
Custom Mounting
(MTX) ①

Lens Globe 3
(LG3-G192)



Buy American
(BAA) ③

Trade Agreement Act
(TAA) ③

Build America
Buy American
(BABA) ③

Notes:

- ① Consult Factory
- ② Mounting provisions for existing mounting holders. New mounting holders will not be provided. For a complete fixture see The Savannah Collection
- ③ See Page 4 for catalog string/Part Number is use
- ④ Consult Factory for other CCT/CRT Options and Lead Times
- ⑤ Consult factory for all BAA/TAA/BABA requests
- ⑥ For use with LG3-G192 Lens Globe
- ⑦ For use with LG1-G199 or LG2-G118 Lens Globes
- ⑧ Turtel Safe



701 Kingshill Place, Carson, CA 90746
Call US Today (310) 341-2037

nslighting.com

PRODUCT SPECIFICATIONS

ELECTRICAL

- 120-277 Volts (UNV) Standard or 480 Volts (HV). Consult Factory
- DALI-2 120-277 Volts
- 0-10V dimming driver
- Driver power factor at maximum load is $\geq .95$, THD maximum load is 15%
- LED Drivers Ambient Temp. Min is -40°C and Ambient Temp. Max ranges from 50°C to 55°C . Consult the factory for revalidation by providing the fixture catalog string before quoting and specifying it.
- All internal wiring UL certified for 600 VAC and 105°C
- Standard Color temperatures: 2700 80 CRI or 3000K 80 CRI. Consult Factory for other CCT/CRI options.
- Surge Protection: 20KA supplied as standard

OPTIONS

- Lens Globe 1 - G199 (Large)
- Lens Globe 2 - G118 (Large)
- Lens Globe 3 - G192 (Small)
- Buy American (BAA)
- Trade Agreement Act (TAA)
- Build America Buy American (BABA)

CONTROL OPTIONS

- NEMA 7-PIN RECEPTACLE (PE7)—An ANSI C136.41-2013 receptacle provides electrical and mechanical interconnection between photo control cell and luminaire. 0-10 VDC dimming methods or Digital Addressable Lighting Interface (DALI), providing reliable power interconnect
- Controls Agnostic: Please contact factory for your preferred controls option. (nLight, NX, WaveLinx, Crestron, DMX/RDM, Synapse, Casambi, Dali II, or other control systems)

OPTICS

- Star Power Optical System is 95% reflective material. Utilizes a linear diffused pattern, softening the light distribution and eliminating any dark shadows or striations.

FINISH

- 3-5 mil electrostatic powder coat.
- NLS Lighting standard high-quality finishes prevent corrosion and protects against extreme environmental conditions

WARRANTY

One-year limited warranty for NLS Retrofit Kits. Consult Factory for details

BUY AMERICAN OPTION

While all of the NLS Lighting products listed in this document qualify for the Buy America(n) Act of 1933, we reserve the right to change our listings without notice.

The information provided above is for general informational purposes only. We encourage you to consult legal professionals for advice particular to your projects concerning BAA, TAA, BABA or Buy America.

Download NLS Products that meet BAA, TAA standards can be found at the following link:

[https://nslighting.com/NLS_BuyAmerica\(n\).pdf](https://nslighting.com/NLS_BuyAmerica(n).pdf)



The information and specifications on this document are subject to change without any notification. All values are design, nominal, typical or prorated values when measured under internal and external laboratory conditions.



701 Kingshill Place, Carson, CA 90746
Call US Today (310) 341-2037

nslighting.com

PRODUCT SPECIFICATIONS

SAVANNAH 16 LED, TYPE 3 DISTRIBUTION LUMEN DATA CHART

PART NUMBER	LG1-G199 Lumens	Lumen/Watts	MA	BUG Rating	Nominal Uplight (%)	LG2-G192 Lumens	Lumen/Watts	MA	BUG Rating	Nominal Uplight (%)	LG3-G118 Lumens	Lumen/Watts	MA	BUG Rating	Nominal Uplight (%)
SVN-16L-4-27K8	3992	105	800	B2-U3-G3	11.6%	4050	107	745	B1-U3-G3	9.7%	4041	106	760	B2-U3-G3	9.7%
SVN-16L-4-30K8	4280	113	800	B2-U3-G3	11.6%	4342	114	745	B2-U3-G3	9.7%	4333	114	760	B2-U3-G3	9.7%
SVN-16L-6-27K8	5739	104	1150	B2-U3-G3	11.6%	6050	110	1113	B2-U3-G4	9.7%	6061	110	1140	B2-U3-G3	9.7%
SVN-16L-6-30K8	6153	112	1150	B2-U3-G3	11.6%	6487	118	1113	B2-U3-G4	9.7%	6499	118	1140	B2-U3-G3	9.7%
SVN-16L-8-27K8	7735	105	1550	B3-U4-G4	11.6%	8046	109	1480	B2-U3-G5	9.7%	8082	109	1520	B3-U3-G4	9.7%
SVN-16L-8-30K8	8293	112	1550	B3-U4-G4	11.6%	8627	117	1480	B3-U3-G5	9.7%	8666	117	1520	B3-U4-G4	9.7%
SVN-16L-10-27K8	9707	103	1945	B3-U4-G5	11.6%	10058	107	1850	B3-U4-G5	9.7%	10049	107	1890	B3-U4-G4	9.7%
SVN-16L-10-30K8	10408	111	1945	B3-U4-G5	11.6%	10784	115	1850	B3-U4-G5	9.7%	10775	115	1890	B3-U4-G5	9.7%

SAVANNAH 16 LED, TYPE 3 DISTRIBUTION WITH HOUSE SIDE SHIELD LUMEN DATA CHART

PART NUMBER	LG1-G199 Lumens	Lumen/Watts	MA	BUG Rating	Nominal Uplight (%)	LG3-G118 Lumens	Lumen/Watts	MA	BUG Rating	Nominal Uplight (%)
SVN-16L-4-27K8-HSS	3814	100	830	B1-U3-G3	12.3%	3772	99	830	B1-U3-G2	8.2%
SVN-16L-4-30K8-HSS	4089	108	830	B1-U3-G3	12.3%	4044	106	830	B1-U3-G3	8.2%
SVN-16L-6-27K8-HSS	5699	104	1240	B2-U3-G4	12.3%	5635	102	1240	B2-U3-G3	8.2%
SVN-16L-6-30K8-HSS	6110	111	1240	B2-U3-G4	12.3%	6042	110	1240	B2-U3-G3	8.2%
SVN-16L-8-27K8-HSS	7560	102	1645	B2-U4-G4	12.3%	7475	101	1645	B2-U3-G3	8.2%
SVN-16L-8-30K8-HSS	8106	110	1645	B2-U4-G5	12.3%	8015	108	1645	B2-U3-G3	8.2%
SVN-16L-10-27K8-HSS	8939	95	1945	B3-U4-G5	12.3%	8843	94	1945	B2-U3-G4	8.2%
SVN-16L-10-30K8-HSS	9584	102	1945	B3-U4-G5	12.3%	9481	101	1945	B2-U4-G4	8.2%

SAVANNAH 20 LED, TYPE 5 DISTRIBUTION LUMEN DATA CHART

PART NUMBER	LG1-G199 Lumens	Lumen/Watts	MA	BUG Rating	Nominal Uplight (%)	LG2-G192 Lumens	Lumen/Watts	MA	BUG Rating	Nominal Uplight (%)	LG3-G118 Lumens	Lumen/Watts	MA	BUG Rating	Nominal Uplight (%)
SVN-20L-4-27K8	4060	107	745	B2-U3-G2	9.4%	4093	108	745	B2-U3-G2	7.4%	4127	109	735	B2-U3-G2	7.6%
SVN-20L-4-30K8	4353	115	745	B2-U3-G2	9.4%	4389	115	745	B2-U3-G2	7.4%	4425	116	735	B2-U3-G2	7.6%
SVN-20L-6-27K8	6066	110	1113	B3-U3-G3	9.4%	6115	111	1113	B3-U3-G2	7.4%	6177	112	1100	B3-U3-G3	7.6%
SVN-20L-6-30K8	6504	118	1113	B3-U3-G3	9.4%	6557	119	1113	B3-U3-G3	7.4%	6623	120	1100	B3-U3-G3	7.6%
SVN-20L-8-27K8	8066	109	1480	B3-U4-G3	9.4%	8131	110	1480	B3-U3-G3	7.4%	8254	112	1470	B3-U3-G3	7.6%
SVN-20L-8-30K8	8648	117	1480	B3-U4-G3	9.4%	8718	118	1480	B3-U3-G3	7.4%	8850	120	1470	B3-U3-G3	7.6%
SVN-20L-10-27K8	10083	107	1850	B3-U4-G3	9.4%	10164	108	1850	B3-U4-G3	7.4%	10219	109	1820	B3-U4-G3	7.6%
SVN-20L-10-30K8	10811	115	1850	B3-U4-G4	9.4%	10898	116	1850	B3-U4-G3	7.4%	10957	117	1820	B3-U4-G3	7.6%

Lumen Maintenance Data

Ambient Temperature	Drive Current	L90 Hours*	L70 Hours**	30,000 Hours*	50,000 Hours*	60,000 Hours*	100,000 Hours**
25°C	Up to 700mA	58,000	173,000	95.7%	91.6%	89.6%	82.1%

*Reported extrapolations per IESNA TM-21 **Projected extrapolations per IESNA TM-21

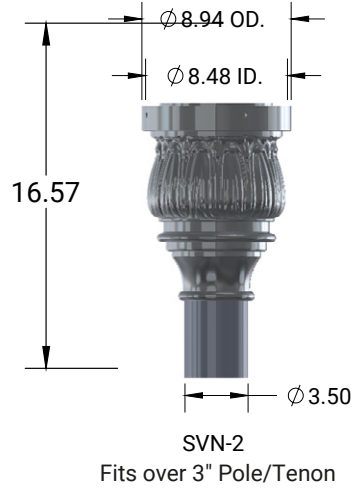
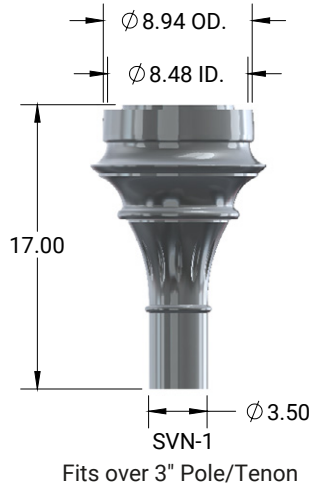


701 Kingshill Place, Carson, CA 90746
Call US Today (310) 341-2037

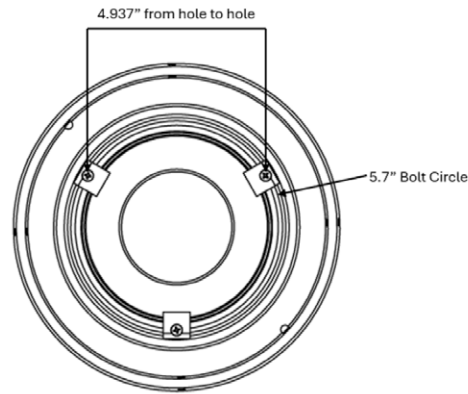
nslighting.com

PRODUCT SPECIFICATIONS

MOUNTING HOLDERS



SVN-1 & SVN-2 Standard Mounting Provisions

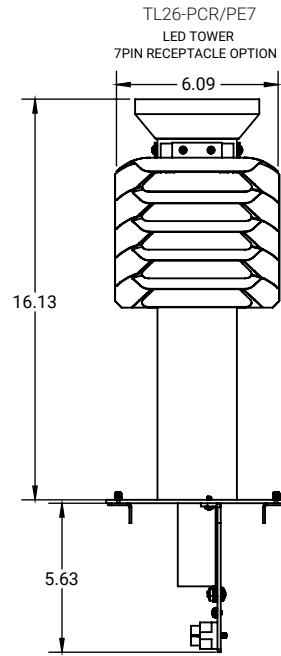
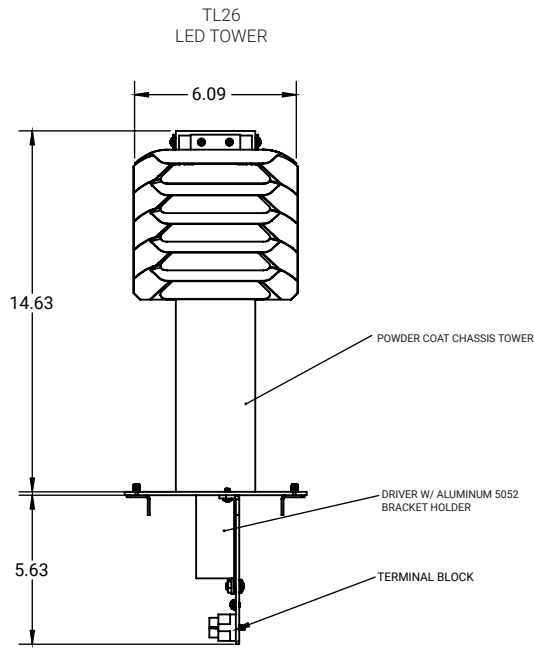
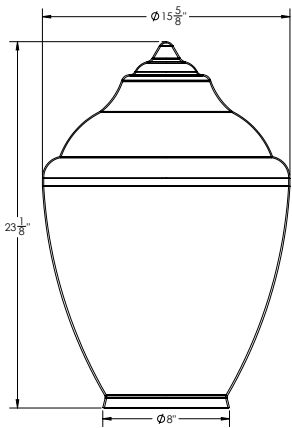


PRODUCT SPECIFICATIONS

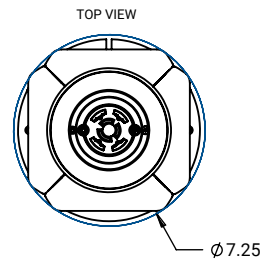
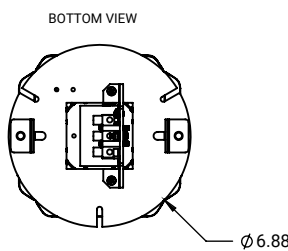
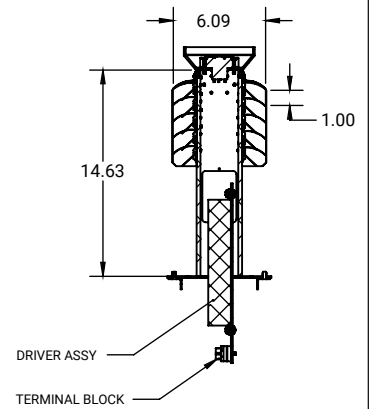
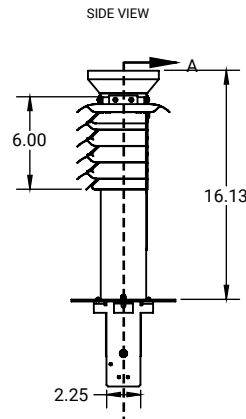
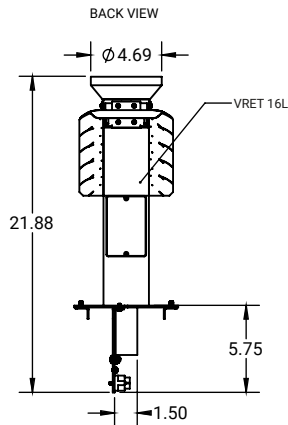
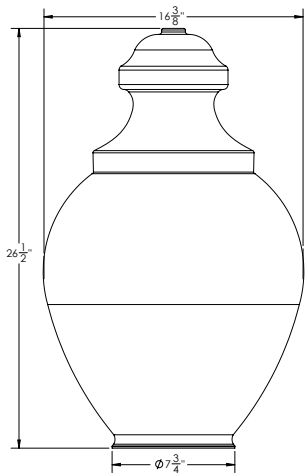
FOR LARGE LENS GLOBE (LG1-199) & (LG2-G118) LED TOWERS



LENS GLOBE 1



LENS GLOBE 2

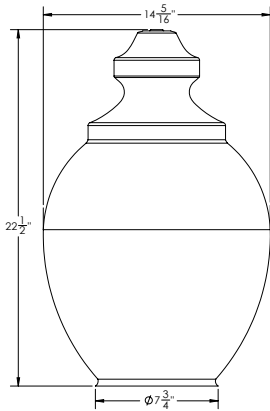


PRODUCT SPECIFICATIONS

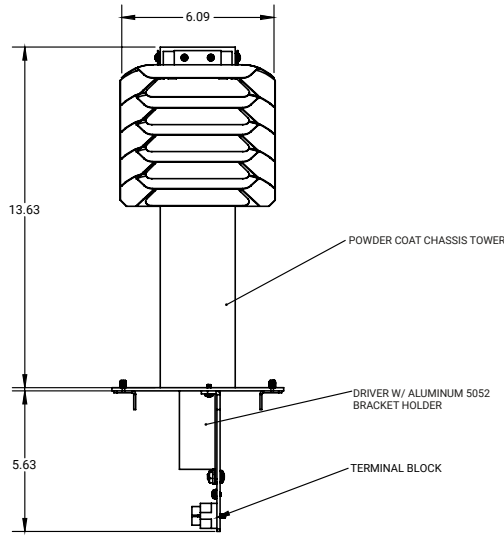
FOR SMALL LENS GLOBE (LG3-192) & LED TOWERS



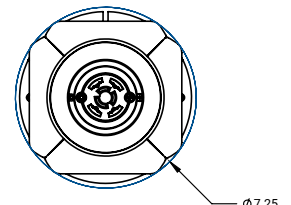
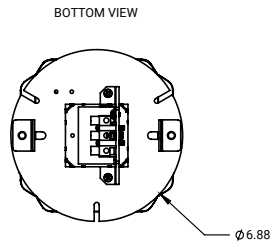
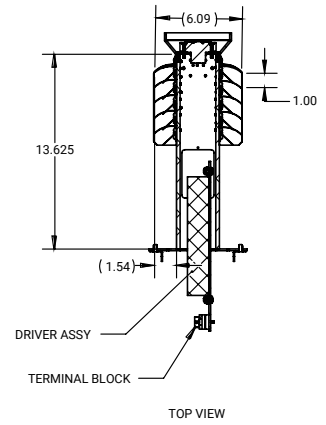
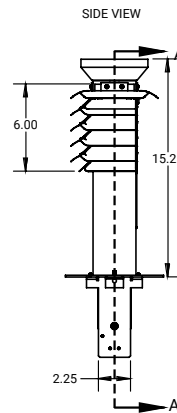
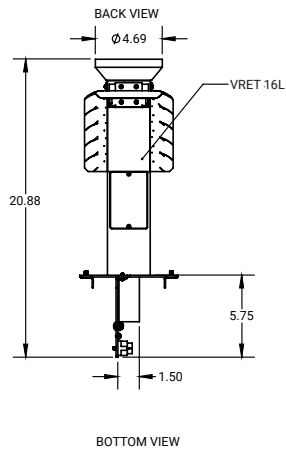
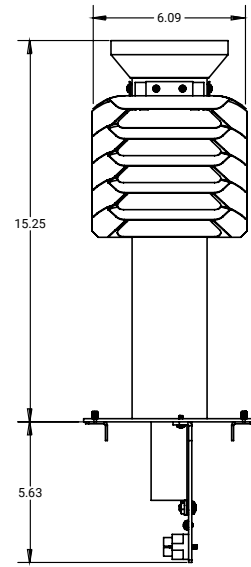
LENS GLOBE 3



SM22
LED TOWER

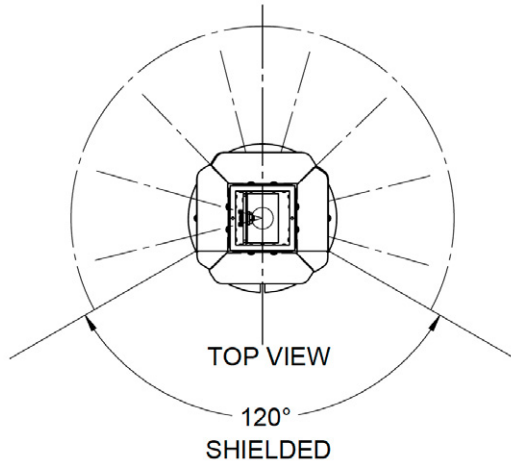


SM22-PCR/PE7
LED TOWER
7PIN RECEPTACLE OPTION



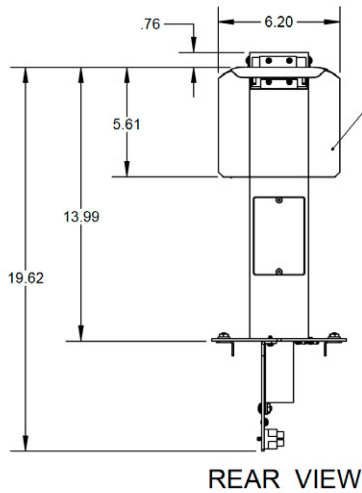
PRODUCT SPECIFICATIONS

PTAR REFLECTOR DESIGN



House Side Shield

- Designed to reduce house side direct view of Primary LED Street Light Source at 120 Degrees.
- Designed to achieve IES street lighting criteria and sidewalk criteria behind luminaire.
- At 4000 Lumens less than 2.5 Watts of direct back light.
- At 6000 Lumens less than 3.75 Watts of direct back light
- Achieves Dark Sky Project Criteria of less than 10% of total luminaire light distribution above 90 degrees.
- Adjustable Wireless Remote Light Output Reduction Capability through 7-Pin Twist Lock Controller (by others)



House Side Shield Panel

Integrated into every fixture. Designed to achieve residential and urban street light and sidewalk lighting criteria while cutting direct view of LED street lighting light source at 120 degree angle.

