

LED WATTAGE CHART

Drive Current	80L	96L	128L	144L
350 milliamps	88W (7895-9497 Lumens)	105W (9474-11397 Lumens)	141W (12632-15196 Lumens)	158W (14211-17095 Lumens)
530 milliamps	133W (11955-14382 Lumens)	160W (14346-17258 Lumens)	213W (19128-23011 Lumens)	240W (21519-25887 Lumens)
700 milliamps	176W (15790-18995 Lumens)	211W (18947-22794 Lumens)	281W (25263-30392 Lumens)	316W (28421-34191 Lumens)
1000 milliamps	-	-	-	452W (40602-48844 Lumens)
1050 milliamps	251W (22556-27136 Lumens)	301W (27068-32563 Lumens)	402W (36090-43417 Lumens)	-

**FORM**

- Elegant Die-Cast Aluminum Housing
- Corrosion Resistant Stainless Steel External Hardware
- Sleek, Low Profile Housing
- Spec Grade Performance
- Engineered For Optimum Thermal Management
- 9 Architectural Finishes Standard, RAL Colors Available

**FUNCTION**

- Micro Optics IES Distributions T2, T3, T4, T5
- 0-10V Dimming Drivers THD @ Max Load < 15% Power factor @ Max Load < 0.95
- Amber, 2700K, 3000K, 3500K, 4000K, or 5000K
- 80L to 144L LED Configuration
- CRI 70, 80, or 90
- 5 Mils Powder Coat
- Up to 48,844 Lumens

**RELIABILITY**

- Silicone Micro Optics
- 5 Year Standard Warranty
- IP67 Optics
- IP66 Fixture

**BUY AMERICAN**

To ensure the latest BAA/TAA/BABA Standards are being met, please select BAA, TAA, or BABA in the options section. Please contact the factory before placing an order for any NLS products requesting BAA (Buy American Act), TAA (Trade Agreement Act), or BABA (Build America, Buy America).



Project Name:

Type:

# ORGANIX - 3 - ORDERING GUIDE

Cat#	Light Dist.	No. of LEDs	Milliamps	Kelvin Temp	Volts
Organix - 3 <b>(ORX-3)</b>	Type 2 <b>(T2)</b>	80 <b>(80L)</b>	350 <b>(35)</b>	Amber 585-600nm <b>(AMBER) ⑤ ⑩ ⑫</b>	120-277 <b>(UNV)</b>
	Type 3 <b>(T3)</b>	96 <b>(96L)</b>	530 <b>(53)</b>	2700K, 70 CRI <b>(27K7)</b>	347-480 <b>(HV)</b>
	Type 4 <b>(T4)</b>	128 <b>(128L)</b>	700 <b>(7)</b>	2700K, 80 CRI <b>(27K8) ①</b>	
	Type 5 <b>(T5)</b>	144 <b>(144L)</b>	1000 <b>(1A)</b>	3000K, 70 CRI <b>(30K7)</b>	
			1050 <b>(1) ⑧</b>	3000K, 80 CRI <b>(30K8) ①</b>	
				3500K, 80 CRI <b>(35K8)</b>	
				4000K, 70 CRI <b>(40K7)</b>	
				4000K, 80 CRI <b>(40K8) ①</b>	
				5000K, 70 CRI <b>(50K7)</b>	
				5000K, 80 CRI <b>(50K8) ①</b>	

Mounting	Color	Control Options	Options	Lens Options
Architectural Arm Mount <b>(ASA)</b>	Bronze Textured <b>(BRZ)</b>	Nema 7-Pin Receptacle <b>(PE7)</b>	Marine Grade Finish <b>(MGF)</b>	Diffused Polycarbonate Visual Comfort Lens <b>(DPCL) ⑦</b>
Direct Pole 11" Arm <b>(DPS11)</b>	White Textured <b>(WHT)</b>	Nema 7-Pin Receptacle +Shorting Cap <b>(PER)</b>	House Side Shield <b>(HSS)</b>	Clear Tempered Glass Lens <b>(CTG) ⑦</b>
Knuckle Mount <b>(KM)</b>	Smooth White Gloss <b>(SWT)</b>	Photocell+Receptacle <b>(PCR)</b>	Automotive House Side Shield <b>(AHS)</b>	
	Silver Metallic <b>(SVR)</b>	FSP-211 with Motion Sensor <b>(FSP-20) ② ⑩</b>	Round Pole Adapter 3"- 4" Pole <b>(RPA4)</b>	
	Black Textured <b>(BLK)</b>	9'-20" Heights <b>(FSP-40) ② ⑩</b>	Round Pole Adapter 5"- 6" Pole <b>(RPA5)</b>	
	Smooth Black Gloss <b>(SBK)</b>	21'-40' Heights	Rotated Optic Left <b>(ROL)</b>	
	Graphite Textured <b>(GPH)</b>	Custom Controls Integration <b>(CCI) ④</b>	Rotated Optic Right <b>(ROR)</b>	
	Grey Textured <b>(GRY)</b>	FSP Remote <b>(FSIR) ⑩</b>	Tamper Proof Hardware <b>(TPH)</b>	
	Green Textured <b>(GRN)</b>		Buy American Act <b>(BAA) ⑤</b>	
	Hunter Green Textured <b>(HGN)</b>		Trade Agreement Act <b>(TAA) ⑥</b>	
	Custom <b>(CS)</b>		Build America Buy American <b>(BABA) ⑤</b>	

- Notes:**
- ① Consult Factory For Lead Time. Consult Factory For 90 CRI Requests
  - ② Universal Voltage 120-277
  - ③ Consult Factory
  - ④ Please contact Factory for Custom Control Integration requests (nLight, NX, WaveLinx, Crestron, DMX/RDM, Synapse, Casambi, Dali II, Avi-On, or other control systems)
  - ⑤ Turtle Safe
  - ⑥ Consult factory for all BAA/TAA/BABA requests
  - ⑦ 700mA Max For Lens Options
  - ⑧ Not Available in 144L
  - ⑨ Not Available With Lens Options (DPCL, CTG)
  - ⑩ Projects with sensors require Qty. 1 FSIR per project
  - ⑪ Not Available above 1000mA
  - ⑫ Consult Factory for Lead Time

## PRODUCT SPECIFICATIONS

### ELECTRICAL

- 120-277 Volts (UNV) or 347-480 Volts (HV)
- 0-10V dimming driver
- Driver power factor at maximum load is  $\geq .95$ , THD maximum load is 15%
- LED Drivers Ambient Temp. Min is  $-40^{\circ}\text{C}$  and Ambient Temp. Max ranges from  $50^{\circ}\text{C}$  to  $55^{\circ}\text{C}$  and, in some cases, even higher. Consult the factory for revalidation by providing the fixture catalog string before quoting and specifying it.
- All drivers, controls, and sensors housed in enclosed IP65 compartment
- CRI 70, 80 or 90
- Color temperatures: Amber, 2700K, 3000K, 3500K, 4000K, 5000K
- Surge Protection: 20KVA supplied as standard.

### CONSTRUCTION

- Die Cast Aluminum
- Internal cooling fins
- Corrosion resistant external hardware
- One-piece silicone gasket ensures IP66 seal for electronics compartment

### OPTICS

Silicone optics high thermal stability and light output provide higher powered LEDs with minimized lumen depreciation. UV stability with scratch resistance increases exterior application durability. Silicone optics do not yellow, crack or brittle over time

### CONTROL OPTIONS

#### CONTROL OPTIONS & FEATURES

- FSP-221 (FSP-X) - Passive infrared (PIR) sensor providing multi-level control based on motion/daylight contribution.
- All control parameters adjustable via wireless configuration remote storing and transmitting sensor profiles.
- \* Party Setting Available (10% output) Consult Factory
- \* Can maintain constant foot candles over time. Consult Factory
- FSP-20 mounting heights 9-20 feet
- FSP-40 mounting heights 21-40 feet.
- Includes 5 dimming event cycles, 0-10V dimming with motion sensing, re-programmable in the field. Programmable remote must be purchased separately.
- FSIR-100 commissioning remote is required to change sensor settings. Please contact factory for ordering.
- NEMA 7-PIN RECEPTACLE (PE7) - An ANSI C136.41-2013 receptacle provides electrical and mechanical interconnection between photo control cell and luminaire. Dimming receptacle available two or four dimming contacts supports 0-10 VDC dimming methods or Digital Addressable Lighting Interface (DALI), providing reliable power interconnect.
- RECEPTACLE + SHORTING CAP (PER) - 7-Pin Receptacle and Shorting Cap.
- PHOTOCELL + RECEPTACLE (PCR) - 7-Pin Receptacle and Photocell.

- Controls Agnostic: Please contact factory for your preferred controls option. (nLight, NX, WaveLinx, Crestron, DMX/RDM, Synapse, Casambi, DALI II, Avi-On, or other control systems)

### OPTIONS

- BIRD SPIKES (BS) - Offer an effective and humane deterrent for larger bird species and provide a cost-effective long-term solution to nuisance bird infestations and to protect your property.
- MARINE GRADE FINISH (MGF) - A multi-step process creating a protective finishing coat against harsh environments. Chemically washed in a 5-stage cleaning system. Pre-baked, Powder coated 3-5 mils of Zinc Rich Super Durable Polyester Primer. Oven Baked. Finished Powder Coating of Super Durable Polyester Powder Coat 3-5 mil thickness.
- House Side Shield (HSS) is designed for full property line cutoff.
- Automotive House Side Shield (AHS)
- Tamper Proof Hardware (TPH)
- Black Hardware (BH)
- Black Optic Frame (BOF)

### FINISH

- 3-5 mils electrostatic powder coat.
- NLS Lighting standard high-quality finishes prevent corrosion, and protects against extreme environmental conditions.

### WARRANTY

Five-year limited warranty for drivers and LEDs.  
Consult Factory for 7 or 10 year warranty

### LISTINGS

- Certified to UL 1598
- UL 8750
- CSA C22.2 No. 250.0
- IP66 Rated Fixture
- IP67 Rated Optics
- IK10 Rated

### Buy American Option

While all of the NLS Lighting products listed in this document qualify for the Buy America(n) Act of 1933, we reserve the right to change our listings without notice.

The information provided above is for general informational purposes only. We encourage you to consult legal professionals for advice particular to your projects concerning BAA, TAA, BABA or Buy America.

Additional NLS Products that meet BAA, TAA standards can be found at the following link:

<https://nslighting.com/buy-american/>



The information and specifications on this document are subject to change without any notification. All values are design, nominal, typical or prorated values when measured under internal and external laboratory conditions.



701 Kingshill Place, Carson, CA 90746  
Call Us Today (310) 341-2037

[nslighting.com](https://nslighting.com)

# PRODUCT SPECIFICATIONS

LUMEN CHART									
Part Number	T2	LM/W	T3	LM/W	T4	LM/W	T5	LM/W	WATTS
ORX-3-AM-80L-350-27K7	8057	92	7942	90	7895	90	8130	92	88
ORX-3-AM-80L-350-27K8	7544	86	7436	85	7392	84	7612	87	88
ORX-3-AM-80L-350-30K8	8088	92	7973	91	7925	90	8161	93	88
ORX-3-AM-80L-350-30K7	8711	99	8587	98	8536	97	8790	100	88
ORX-3-AM-80L-350-35K8	8088	92	7973	91	7925	90	8161	93	88
ORX-3-AM-80L-350-40K8	8711	99	8587	98	8536	97	8790	100	88
ORX-3-AM-80L-350-40K7	9412	107	9278	105	9223	105	9497	108	88
ORX-3-AM-80L-350-50K8	8711	99	8587	98	8536	97	8790	100	88
ORX-3-AM-80L-350-50K7	9412	107	9278	105	9223	105	9497	108	88
ORX-3-AM-80L-530-27K7	12200	92	12026	90	11955	90	12311	93	133
ORX-3-AM-80L-530-27K8	11423	86	11260	85	11194	84	11527	87	133
ORX-3-AM-80L-530-30K8	12247	92	12073	91	12001	90	12359	93	133
ORX-3-AM-80L-530-30K7	13190	99	13002	98	12926	97	13310	100	133
ORX-3-AM-80L-530-35K8	12247	92	12073	91	12001	90	12359	93	133
ORX-3-AM-80L-530-40K8	13190	99	13002	98	12926	97	13310	100	133
ORX-3-AM-80L-530-40K7	14252	107	14049	106	13966	105	14382	108	133
ORX-3-AM-80L-530-50K8	13190	99	13002	98	12926	97	13310	100	133
ORX-3-AM-80L-530-50K7	14252	107	14049	106	13966	105	14382	108	133
ORX-3-AM-80L-700-27K7	16113	92	15883	90	15790	90	16260	92	176
ORX-3-AM-80L-700-27K8	15087	86	14872	85	14784	84	15224	87	176
ORX-3-AM-80L-700-30K8	16176	92	15945	91	15851	90	16323	93	176
ORX-3-AM-80L-700-30K7	17421	99	17173	98	17072	97	17580	100	176
ORX-3-AM-80L-700-35K8	16176	92	15945	91	15851	90	16323	93	176
ORX-3-AM-80L-700-40K8	17421	99	17173	98	17072	97	17580	100	176
ORX-3-AM-80L-700-40K7	18824	107	18555	105	18446	105	18995	108	176
ORX-3-AM-80L-700-50K8	17421	99	17173	98	17072	97	17580	100	176
ORX-3-AM-80L-700-50K7	18824	107	18555	105	18446	105	18995	108	176
ORX-3-AM-80L-1050-27K7	23019	92	22691	90	22556	90	23228	93	251
ORX-3-AM-80L-1050-27K8	21553	86	21246	85	21120	84	21749	87	251
ORX-3-AM-80L-1050-30K8	23108	92	22779	91	22644	90	23318	93	251
ORX-3-AM-80L-1050-30K7	24888	99	24533	98	24388	97	25114	100	251
ORX-3-AM-80L-1050-35K8	23108	92	22779	91	22644	90	23318	93	251
ORX-3-AM-80L-1050-40K8	24888	99	24533	98	24388	97	25114	100	251
ORX-3-AM-80L-1050-40K7	26891	107	26508	106	26351	105	27136	108	251
ORX-3-AM-80L-1050-50K8	24888	99	24533	98	24388	97	25114	100	251
ORX-3-AM-80L-1050-50K7	26891	107	26508	106	26351	105	27136	108	251
ORX-3-AM-96L-350-27K7	9668	92	9530	91	9474	90	9756	93	105
ORX-3-AM-96L-350-27K8	9052	86	8923	85	8871	84	9135	87	105
ORX-3-AM-96L-350-30K8	9705	92	9567	91	9511	91	9794	93	105
ORX-3-AM-96L-350-30K7	10453	100	10304	98	10243	98	10548	100	105
ORX-3-AM-96L-350-35K8	9705	92	9567	91	9511	91	9794	93	105
ORX-3-AM-96L-350-40K8	10453	100	10304	98	10243	98	10548	100	105
ORX-3-AM-96L-350-40K7	11294	108	11133	106	11067	105	11397	109	105
ORX-3-AM-96L-350-50K8	10453	100	10304	98	10243	98	10548	100	105
ORX-3-AM-96L-350-50K7	11294	108	11133	106	11067	105	11397	109	105
ORX-3-AM-96L-530-27K7	14640	91	14431	90	14346	90	14773	92	160
ORX-3-AM-96L-530-27K8	13708	86	13512	84	13432	84	13832	86	160
ORX-3-AM-96L-530-30K8	14697	92	14487	91	14402	90	14830	93	160
ORX-3-AM-96L-530-30K7	15829	99	15603	98	15511	97	15972	100	160
ORX-3-AM-96L-530-35K8	14697	92	14487	91	14402	90	14830	93	160
ORX-3-AM-96L-530-40K8	15829	99	15603	98	15511	97	15972	100	160
ORX-3-AM-96L-530-40K7	17103	107	16859	105	16759	105	17258	108	160
ORX-3-AM-96L-530-50K8	15829	99	15603	98	15511	97	15972	100	160
ORX-3-AM-96L-530-50K7	17103	107	16859	105	16759	105	17258	108	160
ORX-3-AM-96L-700-27K7	19336	92	19060	90	18947	90	19511	92	211
ORX-3-AM-96L-700-27K8	18105	86	17846	85	17741	84	18269	87	211
ORX-3-AM-96L-700-30K8	19411	92	19134	91	19021	90	19587	93	211
ORX-3-AM-96L-700-30K7	20906	99	20608	98	20486	97	21096	100	211
ORX-3-AM-96L-700-35K8	19411	92	19134	91	19021	90	19587	93	211
ORX-3-AM-96L-700-40K8	20906	99	20608	98	20486	97	21096	100	211
ORX-3-AM-96L-700-40K7	22589	107	22267	106	22135	105	22794	108	211
ORX-3-AM-96L-700-50K8	20906	99	20608	98	20486	97	21096	100	211
ORX-3-AM-96L-700-50K7	22589	107	22267	106	22135	105	22794	108	211
ORX-3-AM-96L-1050-27K7	27622	92	27229	90	27068	90	27874	93	301
ORX-3-AM-96L-1050-27K8	25864	86	25495	85	25344	84	26099	87	301
ORX-3-AM-96L-1050-30K8	27730	92	27335	91	27173	90	27982	93	301
ORX-3-AM-96L-1050-30K7	29865	99	29440	98	29266	97	30137	100	301
ORX-3-AM-96L-1050-35K8	27730	92	27335	91	27173	90	27982	93	301
ORX-3-AM-96L-1050-40K8	29865	99	29440	98	29266	97	30137	100	301
ORX-3-AM-96L-1050-40K7	32269	107	31809	106	31621	105	32563	108	301
ORX-3-AM-96L-1050-50K8	29865	99	29440	98	29266	97	30137	100	301
ORX-3-AM-96L-1050-50K7	32269	107	31809	106	31621	105	32563	108	301



701 Kingshill Place, Carson, CA 90746  
Call Us Today (310) 341-2037

[nlsighting.com](http://nlsighting.com)

# PRODUCT SPECIFICATIONS

B.U.G. DATA						
Part Number	T2 B.U.G.	T3 B.U.G.	T4 B.U.G.	T5 B.U.G.	WATTS	
ORX-3-AM-80L-350-27K7	B2-U0-G2	B2-U0-G2	B2-U0-G2	B3-U0-G1	88	
ORX-3-AM-80L-350-27K8	B2-U0-G2	B2-U0-G2	B2-U0-G2	B3-U0-G1	88	
ORX-3-AM-80L-350-30K8	B2-U0-G2	B2-U0-G2	B2-U0-G2	B3-U0-G1	88	
ORX-3-AM-80L-350-30K7	B2-U0-G2	B2-U0-G2	B2-U0-G2	B3-U0-G1	88	
ORX-3-AM-80L-350-35K8	B2-U0-G2	B2-U0-G2	B2-U0-G2	B3-U0-G1	88	
ORX-3-AM-80L-350-40K8	B2-U0-G2	B2-U0-G2	B2-U0-G2	B3-U0-G1	88	
ORX-3-AM-80L-350-40K7	B2-U0-G2	B2-U0-G2	B2-U0-G2	B3-U0-G1	88	
ORX-3-AM-80L-350-50K8	B2-U0-G2	B2-U0-G2	B2-U0-G2	B3-U0-G1	88	
ORX-3-AM-80L-350-50K7	B2-U0-G2	B2-U0-G2	B2-U0-G2	B3-U0-G1	88	
ORX-3-AM-80L-530-27K7	B2-U0-G2	B3-U0-G3	B2-U0-G2	B4-U0-G2	133	
ORX-3-AM-80L-530-27K8	B2-U0-G2	B3-U0-G3	B2-U0-G2	B4-U0-G2	133	
ORX-3-AM-80L-530-30K8	B2-U0-G2	B3-U0-G3	B3-U0-G3	B4-U0-G2	133	
ORX-3-AM-80L-530-30K7	B3-U0-G3	B3-U0-G3	B3-U0-G3	B4-U0-G2	133	
ORX-3-AM-80L-530-35K8	B2-U0-G2	B3-U0-G3	B3-U0-G3	B4-U0-G2	133	
ORX-3-AM-80L-530-40K8	B3-U0-G3	B3-U0-G3	B3-U0-G3	B4-U0-G2	133	
ORX-3-AM-80L-530-40K7	B3-U0-G3	B3-U0-G3	B3-U0-G3	B5-U0-G3	133	
ORX-3-AM-80L-530-50K8	B3-U0-G3	B3-U0-G3	B3-U0-G3	B4-U0-G2	133	
ORX-3-AM-80L-530-50K7	B3-U0-G3	B3-U0-G3	B3-U0-G3	B5-U0-G3	133	
ORX-3-AM-80L-700-27K7	B3-U0-G3	B3-U0-G3	B3-U0-G3	B5-U0-G3	176	
ORX-3-AM-80L-700-27K8	B3-U0-G3	B3-U0-G3	B3-U0-G3	B5-U0-G3	176	
ORX-3-AM-80L-700-30K8	B3-U0-G3	B3-U0-G3	B3-U0-G3	B5-U0-G3	176	
ORX-3-AM-80L-700-30K7	B3-U0-G3	B3-U0-G3	B3-U0-G3	B5-U0-G3	176	
ORX-3-AM-80L-700-35K8	B3-U0-G3	B3-U0-G3	B3-U0-G3	B5-U0-G3	176	
ORX-3-AM-80L-700-40K8	B3-U0-G3	B3-U0-G3	B3-U0-G3	B5-U0-G3	176	
ORX-3-AM-80L-700-40K7	B3-U0-G3	B3-U0-G3	B3-U0-G3	B5-U0-G3	176	
ORX-3-AM-80L-700-50K8	B3-U0-G3	B3-U0-G3	B3-U0-G4	B5-U0-G3	176	
ORX-3-AM-80L-700-50K7	B3-U0-G3	B3-U0-G3	B3-U0-G3	B5-U0-G3	176	
ORX-3-AM-80L-1050-27K7	B3-U0-G3	B3-U0-G3	B3-U0-G3	B5-U0-G3	251	
ORX-3-AM-80L-1050-27K8	B3-U0-G3	B3-U0-G3	B3-U0-G3	B5-U0-G3	251	
ORX-3-AM-80L-1050-30K8	B3-U0-G3	B3-U0-G3	B3-U0-G3	B5-U0-G3	251	
ORX-3-AM-80L-1050-30K7	B3-U0-G3	B3-U0-G3	B3-U0-G4	B5-U0-G3	251	
ORX-3-AM-80L-1050-35K8	B3-U0-G3	B3-U0-G3	B3-U0-G3	B5-U0-G3	251	
ORX-3-AM-80L-1050-40K8	B3-U0-G3	B3-U0-G3	B3-U0-G4	B5-U0-G3	251	
ORX-3-AM-80L-1050-40K7	B3-U0-G3	B3-U0-G3	B3-U0-G4	B5-U0-G3	251	
ORX-3-AM-80L-1050-50K8	B3-U0-G3	B3-U0-G3	B3-U0-G4	B5-U0-G3	251	
ORX-3-AM-80L-1050-50K7	B3-U0-G3	B3-U0-G3	B3-U0-G4	B5-U0-G3	251	
ORX-3-AM-96L-350-27K7	B2-U0-G2	B2-U0-G2	B2-U0-G2	B3-U0-G2	105	
ORX-3-AM-96L-350-27K8	B2-U0-G2	B2-U0-G2	B2-U0-G2	B3-U0-G2	105	
ORX-3-AM-96L-350-30K8	B2-U0-G2	B2-U0-G2	B2-U0-G2	B3-U0-G2	105	
ORX-3-AM-96L-350-30K7	B2-U0-G2	B2-U0-G2	B2-U0-G2	B3-U0-G2	105	
ORX-3-AM-96L-350-35K8	B2-U0-G2	B2-U0-G2	B2-U0-G2	B3-U0-G2	105	
ORX-3-AM-96L-350-40K8	B2-U0-G2	B2-U0-G2	B2-U0-G2	B3-U0-G2	105	
ORX-3-AM-96L-350-40K7	B2-U0-G2	B2-U0-G2	B2-U0-G2	B4-U0-G2	105	
ORX-3-AM-96L-350-50K8	B2-U0-G2	B2-U0-G2	B2-U0-G2	B3-U0-G2	105	
ORX-3-AM-96L-350-50K7	B2-U0-G2	B2-U0-G2	B2-U0-G2	B4-U0-G2	105	
ORX-3-AM-96L-530-27K7	B3-U0-G3	B3-U0-G3	B3-U0-G3	B5-U0-G3	160	
ORX-3-AM-96L-530-27K8	B3-U0-G3	B3-U0-G3	B3-U0-G3	B5-U0-G3	160	
ORX-3-AM-96L-530-30K8	B3-U0-G3	B3-U0-G3	B3-U0-G3	B5-U0-G3	160	
ORX-3-AM-96L-530-30K7	B3-U0-G3	B3-U0-G3	B3-U0-G3	B5-U0-G3	160	
ORX-3-AM-96L-530-35K8	B3-U0-G3	B3-U0-G3	B3-U0-G3	B5-U0-G3	160	
ORX-3-AM-96L-530-40K8	B3-U0-G3	B3-U0-G3	B3-U0-G3	B5-U0-G3	160	
ORX-3-AM-96L-530-40K7	B3-U0-G3	B3-U0-G3	B3-U0-G3	B5-U0-G3	160	
ORX-3-AM-96L-530-50K8	B3-U0-G3	B3-U0-G3	B3-U0-G3	B5-U0-G3	160	
ORX-3-AM-96L-530-50K7	B3-U0-G3	B3-U0-G3	B3-U0-G3	B5-U0-G3	160	
ORX-3-AM-96L-700-27K7	B3-U0-G3	B3-U0-G3	B3-U0-G3	B5-U0-G3	211	
ORX-3-AM-96L-700-27K8	B3-U0-G3	B3-U0-G3	B3-U0-G3	B5-U0-G3	211	
ORX-3-AM-96L-700-30K8	B3-U0-G3	B3-U0-G3	B3-U0-G3	B5-U0-G3	211	
ORX-3-AM-96L-700-30K7	B3-U0-G3	B3-U0-G3	B3-U0-G3	B5-U0-G3	211	
ORX-3-AM-96L-700-35K8	B3-U0-G3	B3-U0-G3	B3-U0-G3	B5-U0-G3	211	
ORX-3-AM-96L-700-40K8	B3-U0-G3	B3-U0-G3	B3-U0-G3	B5-U0-G3	211	
ORX-3-AM-96L-700-40K7	B3-U0-G3	B3-U0-G3	B3-U0-G3	B5-U0-G3	211	
ORX-3-AM-96L-700-50K8	B3-U0-G3	B3-U0-G3	B3-U0-G4	B5-U0-G3	211	
ORX-3-AM-96L-700-50K7	B3-U0-G3	B3-U0-G3	B3-U0-G4	B5-U0-G3	211	
ORX-3-AM-96L-1050-27K7	B3-U0-G3	B3-U0-G3	B3-U0-G4	B5-U0-G3	301	
ORX-3-AM-96L-1050-27K8	B3-U0-G3	B3-U0-G3	B3-U0-G4	B5-U0-G3	301	
ORX-3-AM-96L-1050-30K8	B3-U0-G3	B3-U0-G3	B3-U0-G4	B5-U0-G3	301	
ORX-3-AM-96L-1050-30K7	B3-U0-G4	B4-U0-G4	B3-U0-G4	B5-U0-G3	301	
ORX-3-AM-96L-1050-35K8	B3-U0-G3	B3-U0-G3	B3-U0-G4	B5-U0-G3	301	
ORX-3-AM-96L-1050-40K8	B3-U0-G4	B4-U0-G4	B3-U0-G4	B5-U0-G3	301	
ORX-3-AM-96L-1050-40K7	B3-U0-G4	B4-U0-G4	B4-U0-G4	B5-U0-G4	301	
ORX-3-AM-96L-1050-50K8	B3-U0-G4	B4-U0-G4	B3-U0-G4	B5-U0-G3	301	
ORX-3-AM-96L-1050-50K7	B3-U0-G4	B4-U0-G4	B4-U0-G4	B5-U0-G4	301	



701 Kingshill Place, Carson, CA 90746  
Call Us Today (310) 341-2037

[nlsighting.com](http://nlsighting.com)

# PRODUCT SPECIFICATIONS

LUMEN CHART									
Part Number	T2	LM/W	T3	LM/W	T4	LM/W	T5	LM/W	WATTS
ORX-3-AM-128L-350-27K7	12890	91	12707	90	12632	90	13008	92	141
ORX-3-AM-128L-350-27K8	12070	86	11898	84	11827	84	12179	86	141
ORX-3-AM-128L-350-30K8	12941	92	12756	90	12681	90	13058	93	141
ORX-3-AM-128L-350-30K7	13937	99	13738	97	13657	97	14064	100	141
ORX-3-AM-128L-350-35K8	12941	92	12756	90	12681	90	13058	93	141
ORX-3-AM-128L-350-40K8	13937	99	13738	97	13657	97	14064	100	141
ORX-3-AM-128L-350-40K7	15059	107	14844	105	14757	105	15196	108	141
ORX-3-AM-128L-350-50K8	13937	99	13738	97	13657	97	14064	100	141
ORX-3-AM-128L-350-50K7	15059	107	14844	105	14757	105	15196	108	141
ORX-3-AM-128L-530-27K7	19520	92	19242	90	19128	90	19697	92	213
ORX-3-AM-128L-530-27K8	18277	86	18016	85	17910	84	18443	87	213
ORX-3-AM-128L-530-30K8	19596	92	19316	91	19202	90	19774	93	213
ORX-3-AM-128L-530-30K7	21105	99	20804	98	20681	97	21297	100	213
ORX-3-AM-128L-530-35K8	19596	92	19316	91	19202	90	19774	93	213
ORX-3-AM-128L-530-40K8	21105	99	20804	98	20681	97	21297	100	213
ORX-3-AM-128L-530-40K7	22804	107	22479	106	22346	105	23011	108	213
ORX-3-AM-128L-530-50K8	21105	99	20804	98	20681	97	21297	100	213
ORX-3-AM-128L-530-50K7	22804	107	22479	106	22346	105	23011	108	213
ORX-3-AM-128L-700-27K7	25781	92	25413	90	25263	90	26015	93	281
ORX-3-AM-128L-700-27K8	24139	86	23795	85	23655	84	24359	87	281
ORX-3-AM-128L-700-30K8	25881	92	25512	91	25362	90	26117	93	281
ORX-3-AM-128L-700-30K7	27874	99	27477	98	27315	97	28128	100	281
ORX-3-AM-128L-700-35K8	25881	92	25512	91	25362	90	26117	93	281
ORX-3-AM-128L-700-40K8	27874	99	27477	98	27315	97	28128	100	281
ORX-3-AM-128L-700-40K7	30118	107	29689	106	29513	105	30392	108	281
ORX-3-AM-128L-700-50K8	27874	99	27477	98	27315	97	28128	100	281
ORX-3-AM-128L-700-50K7	30118	107	29689	106	29513	105	30392	108	281
ORX-3-AM-128L-1050-27K7	36830	92	36305	90	36090	90	37165	92	402
ORX-3-AM-128L-1050-27K8	34485	86	33993	85	33792	84	34798	87	402
ORX-3-AM-128L-1050-30K8	36973	92	36446	91	36231	90	37309	93	402
ORX-3-AM-128L-1050-30K7	39820	99	39253	98	39021	97	40182	100	402
ORX-3-AM-128L-1050-35K8	36973	92	36446	91	36231	90	37309	93	402
ORX-3-AM-128L-1050-40K8	39820	99	39253	98	39021	97	40182	100	402
ORX-3-AM-128L-1050-40K7	43026	107	42412	106	42162	105	43417	108	402
ORX-3-AM-128L-1050-50K8	39820	99	39253	98	39021	97	40182	100	402
ORX-3-AM-128L-1050-50K7	43026	107	42412	106	42162	105	43417	108	402
ORX-3-AM-144L-350-27K7	14502	92	14295	90	14211	90	14634	93	158
ORX-3-AM-144L-350-27K8	13578	86	13385	85	13306	84	13702	87	158
ORX-3-AM-144L-350-30K8	14558	92	14351	91	14266	90	14691	93	158
ORX-3-AM-144L-350-30K7	15679	99	15456	98	15364	97	15822	100	158
ORX-3-AM-144L-350-35K8	14558	92	14351	91	14266	90	14691	93	158
ORX-3-AM-144L-350-40K8	15679	99	15456	98	15364	97	15822	100	158
ORX-3-AM-144L-350-40K7	16941	107	16700	106	16601	105	17095	108	158
ORX-3-AM-144L-350-50K8	15679	99	15456	98	15364	97	15822	100	158
ORX-3-AM-144L-350-50K7	16941	107	16700	106	16601	105	17095	108	158
ORX-3-AM-144L-530-27K7	21960	91	21647	90	21519	90	22159	92	240
ORX-3-AM-144L-530-27K8	20562	86	20269	84	20149	84	20749	86	240
ORX-3-AM-144L-530-30K8	22045	92	21731	91	21603	90	22246	93	240
ORX-3-AM-144L-530-30K7	23743	99	23404	98	23266	97	23959	100	240
ORX-3-AM-144L-530-35K8	22045	92	21731	91	21603	90	22246	93	240
ORX-3-AM-144L-530-40K8	23743	99	23404	98	23266	97	23959	100	240
ORX-3-AM-144L-530-40K7	25654	107	25288	105	25139	105	25887	108	240
ORX-3-AM-144L-530-50K8	23743	99	23404	98	23266	97	23959	100	240
ORX-3-AM-144L-530-50K7	25654	107	25288	105	25139	105	25887	108	240
ORX-3-AM-144L-700-27K7	29004	92	28590	90	28421	90	29267	93	316
ORX-3-AM-144L-700-27K8	27157	86	26770	85	26612	84	27404	87	316
ORX-3-AM-144L-700-30K8	29116	92	28701	91	28532	90	29381	93	316
ORX-3-AM-144L-700-30K7	31359	99	30912	98	30729	97	31644	100	316
ORX-3-AM-144L-700-35K8	29116	92	28701	91	28532	90	29381	93	316
ORX-3-AM-144L-700-40K8	31359	99	30912	98	30729	97	31644	100	316
ORX-3-AM-144L-700-40K7	33883	107	33400	106	33202	105	34191	108	316
ORX-3-AM-144L-700-50K8	31359	99	30912	98	30729	97	31644	100	316
ORX-3-AM-144L-700-50K7	33883	107	33400	106	33202	105	34191	108	316
ORX-3-AM-144L-1A-27K7	41434	92	40843	90	40602	90	41810	93	452
ORX-3-AM-144L-1A-27K8	38796	86	38242	85	38016	84	39148	87	452
ORX-3-AM-144L-1A-30K8	41595	92	41002	91	40760	90	41973	93	452
ORX-3-AM-144L-1A-30K7	44798	99	44159	98	43898	97	45205	100	452
ORX-3-AM-144L-1A-35K8	41595	92	41002	91	40760	90	41973	93	452
ORX-3-AM-144L-1A-40K8	44798	99	44159	98	43898	97	45205	100	452
ORX-3-AM-144L-1A-40K7	48404	107	47714	106	47432	105	48844	108	452
ORX-3-AM-144L-1A-50K8	44798	99	44159	98	43898	97	45205	100	452
ORX-3-AM-144L-1A-50K7	48404	107	47714	106	47432	105	48844	108	452



701 Kingshill Place, Carson, CA 90746  
Call Us Today (310) 341-2037

nslighting.com

# PRODUCT SPECIFICATIONS

B.U.G. DATA					
Part Number	T2 B.U.G.	T3 B.U.G.	T4 B.U.G.	T5 B.U.G.	WATTS
ORX-3-AM-128L-350-27K7	B3-U0-G3	B3-U0-G3	B3-U0-G3	B4-U0-G2	141
ORX-3-AM-128L-350-27K8	B2-U0-G2	B3-U0-G3	B2-U0-G2	B4-U0-G2	141
ORX-3-AM-128L-350-30K8	B3-U0-G3	B3-U0-G3	B3-U0-G3	B4-U0-G2	141
ORX-3-AM-128L-350-30K7	B3-U0-G3	B3-U0-G3	B3-U0-G3	B5-U0-G3	141
ORX-3-AM-128L-350-35K8	B3-U0-G3	B3-U0-G3	B3-U0-G3	B4-U0-G2	141
ORX-3-AM-128L-350-40K8	B3-U0-G3	B3-U0-G3	B3-U0-G3	B5-U0-G3	141
ORX-3-AM-128L-350-40K7	B3-U0-G3	B3-U0-G3	B3-U0-G3	B5-U0-G3	141
ORX-3-AM-128L-350-50K8	B3-U0-G3	B3-U0-G3	B3-U0-G3	B5-U0-G3	141
ORX-3-AM-128L-350-50K7	B3-U0-G3	B3-U0-G3	B3-U0-G3	B5-U0-G3	141
ORX-3-AM-128L-530-27K7	B3-U0-G3	B3-U0-G3	B3-U0-G3	B5-U0-G3	213
ORX-3-AM-128L-530-27K8	B3-U0-G3	B3-U0-G3	B3-U0-G3	B5-U0-G3	213
ORX-3-AM-128L-530-30K8	B3-U0-G3	B3-U0-G3	B3-U0-G3	B5-U0-G3	213
ORX-3-AM-128L-530-30K7	B3-U0-G3	B3-U0-G3	B3-U0-G3	B5-U0-G3	213
ORX-3-AM-128L-530-35K8	B3-U0-G3	B3-U0-G3	B3-U0-G3	B5-U0-G3	213
ORX-3-AM-128L-530-40K8	B3-U0-G3	B3-U0-G3	B3-U0-G3	B5-U0-G3	213
ORX-3-AM-128L-530-40K7	B3-U0-G3	B3-U0-G3	B3-U0-G3	B5-U0-G3	213
ORX-3-AM-128L-530-50K8	B3-U0-G3	B3-U0-G3	B3-U0-G3	B5-U0-G3	213
ORX-3-AM-128L-530-50K7	B3-U0-G3	B3-U0-G3	B3-U0-G3	B5-U0-G3	213
ORX-3-AM-128L-700-27K7	B3-U0-G3	B3-U0-G3	B3-U0-G4	B5-U0-G3	281
ORX-3-AM-128L-700-27K8	B3-U0-G3	B3-U0-G3	B3-U0-G4	B5-U0-G3	281
ORX-3-AM-128L-700-30K8	B3-U0-G3	B3-U0-G3	B3-U0-G4	B5-U0-G3	281
ORX-3-AM-128L-700-30K7	B3-U0-G3	B3-U0-G3	B3-U0-G4	B5-U0-G3	281
ORX-3-AM-128L-700-35K8	B3-U0-G3	B3-U0-G3	B3-U0-G4	B5-U0-G3	281
ORX-3-AM-128L-700-40K8	B3-U0-G3	B3-U0-G3	B3-U0-G4	B5-U0-G3	281
ORX-3-AM-128L-700-40K7	B3-U0-G4	B4-U0-G4	B3-U0-G4	B5-U0-G4	281
ORX-3-AM-128L-700-50K8	B3-U0-G3	B3-U0-G3	B3-U0-G4	B5-U0-G3	281
ORX-3-AM-128L-700-50K7	B3-U0-G4	B4-U0-G4	B3-U0-G4	B5-U0-G4	281
ORX-3-AM-128L-1050-27K7	B4-U0-G4	B4-U0-G4	B4-U0-G4	B5-U0-G4	402
ORX-3-AM-128L-1050-27K8	B3-U0-G4	B4-U0-G4	B4-U0-G4	B5-U0-G4	402
ORX-3-AM-128L-1050-30K8	B4-U0-G4	B4-U0-G4	B4-U0-G4	B5-U0-G4	402
ORX-3-AM-128L-1050-30K7	B4-U0-G4	B4-U0-G4	B4-U0-G5	B5-U0-G4	402
ORX-3-AM-128L-1050-35K8	B4-U0-G4	B4-U0-G4	B4-U0-G4	B5-U0-G4	402
ORX-3-AM-128L-1050-40K8	B4-U0-G4	B4-U0-G4	B4-U0-G5	B5-U0-G4	402
ORX-3-AM-128L-1050-40K7	B4-U0-G4	B4-U0-G4	B4-U0-G5	B5-U0-G4	402
ORX-3-AM-128L-1050-50K8	B4-U0-G4	B4-U0-G4	B4-U0-G5	B5-U0-G4	402
ORX-3-AM-128L-1050-50K7	B4-U0-G4	B4-U0-G4	B4-U0-G5	B5-U0-G4	402
ORX-3-AM-144L-350-27K7	B3-U0-G3	B3-U0-G3	B3-U0-G3	B5-U0-G3	158
ORX-3-AM-144L-350-27K8	B3-U0-G3	B3-U0-G3	B3-U0-G3	B5-U0-G3	158
ORX-3-AM-144L-350-30K8	B3-U0-G3	B3-U0-G3	B3-U0-G3	B5-U0-G3	158
ORX-3-AM-144L-350-30K7	B3-U0-G3	B3-U0-G3	B3-U0-G3	B5-U0-G3	158
ORX-3-AM-144L-350-35K8	B3-U0-G3	B3-U0-G3	B3-U0-G3	B5-U0-G3	158
ORX-3-AM-144L-350-40K8	B3-U0-G3	B3-U0-G3	B3-U0-G3	B5-U0-G3	158
ORX-3-AM-144L-350-40K7	B3-U0-G3	B3-U0-G3	B3-U0-G3	B5-U0-G3	158
ORX-3-AM-144L-350-50K8	B3-U0-G3	B3-U0-G3	B3-U0-G3	B5-U0-G3	158
ORX-3-AM-144L-350-50K7	B3-U0-G3	B3-U0-G3	B3-U0-G3	B5-U0-G3	158
ORX-3-AM-144L-530-27K7	B3-U0-G3	B3-U0-G3	B3-U0-G3	B5-U0-G3	240
ORX-3-AM-144L-530-27K8	B3-U0-G3	B3-U0-G3	B3-U0-G3	B5-U0-G3	240
ORX-3-AM-144L-530-30K8	B3-U0-G3	B3-U0-G3	B3-U0-G3	B5-U0-G3	240
ORX-3-AM-144L-530-30K7	B3-U0-G3	B3-U0-G3	B3-U0-G3	B5-U0-G3	240
ORX-3-AM-144L-530-35K8	B3-U0-G3	B3-U0-G3	B3-U0-G3	B5-U0-G3	240
ORX-3-AM-144L-530-40K8	B3-U0-G3	B3-U0-G3	B3-U0-G3	B5-U0-G3	240
ORX-3-AM-144L-530-40K7	B3-U0-G3	B3-U0-G3	B3-U0-G4	B5-U0-G3	240
ORX-3-AM-144L-530-50K8	B3-U0-G3	B3-U0-G3	B3-U0-G3	B5-U0-G3	240
ORX-3-AM-144L-530-50K7	B3-U0-G3	B3-U0-G3	B3-U0-G4	B5-U0-G3	240
ORX-3-AM-144L-700-27K7	B3-U0-G3	B3-U0-G3	B3-U0-G4	B5-U0-G3	316
ORX-3-AM-144L-700-27K8	B3-U0-G3	B3-U0-G3	B3-U0-G4	B5-U0-G3	316
ORX-3-AM-144L-700-30K8	B3-U0-G3	B3-U0-G3	B3-U0-G4	B5-U0-G3	316
ORX-3-AM-144L-700-30K7	B3-U0-G4	B4-U0-G4	B4-U0-G4	B5-U0-G4	316
ORX-3-AM-144L-700-35K8	B3-U0-G3	B3-U0-G3	B3-U0-G4	B5-U0-G3	316
ORX-3-AM-144L-700-40K8	B3-U0-G4	B4-U0-G4	B4-U0-G4	B5-U0-G4	316
ORX-3-AM-144L-700-40K7	B3-U0-G4	B4-U0-G4	B4-U0-G4	B5-U0-G4	316
ORX-3-AM-144L-700-50K8	B3-U0-G4	B4-U0-G4	B4-U0-G4	B5-U0-G4	316
ORX-3-AM-144L-700-50K7	B3-U0-G4	B4-U0-G4	B4-U0-G4	B5-U0-G4	316
ORX-3-AM-144L-1A-27K7	B4-U0-G4	B4-U0-G4	B4-U0-G5	B5-U0-G4	452
ORX-3-AM-144L-1A-27K8	B4-U0-G4	B4-U0-G4	B4-U0-G5	B5-U0-G4	452
ORX-3-AM-144L-1A-30K8	B4-U0-G4	B4-U0-G4	B4-U0-G5	B5-U0-G4	452
ORX-3-AM-144L-1A-30K7	B4-U0-G4	B4-U0-G4	B4-U0-G5	B5-U0-G4	452
ORX-3-AM-144L-1A-35K8	B4-U0-G4	B4-U0-G4	B4-U0-G5	B5-U0-G4	452
ORX-3-AM-144L-1A-40K8	B4-U0-G4	B4-U0-G4	B4-U0-G5	B5-U0-G4	452
ORX-3-AM-144L-1A-40K7	B4-U0-G4	B4-U0-G5	B4-U0-G5	B5-U0-G5	452
ORX-3-AM-144L-1A-50K8	B4-U0-G4	B4-U0-G4	B4-U0-G5	B5-U0-G4	452
ORX-3-AM-144L-1A-50K7	B4-U0-G4	B4-U0-G5	B4-U0-G5	B5-U0-G5	452



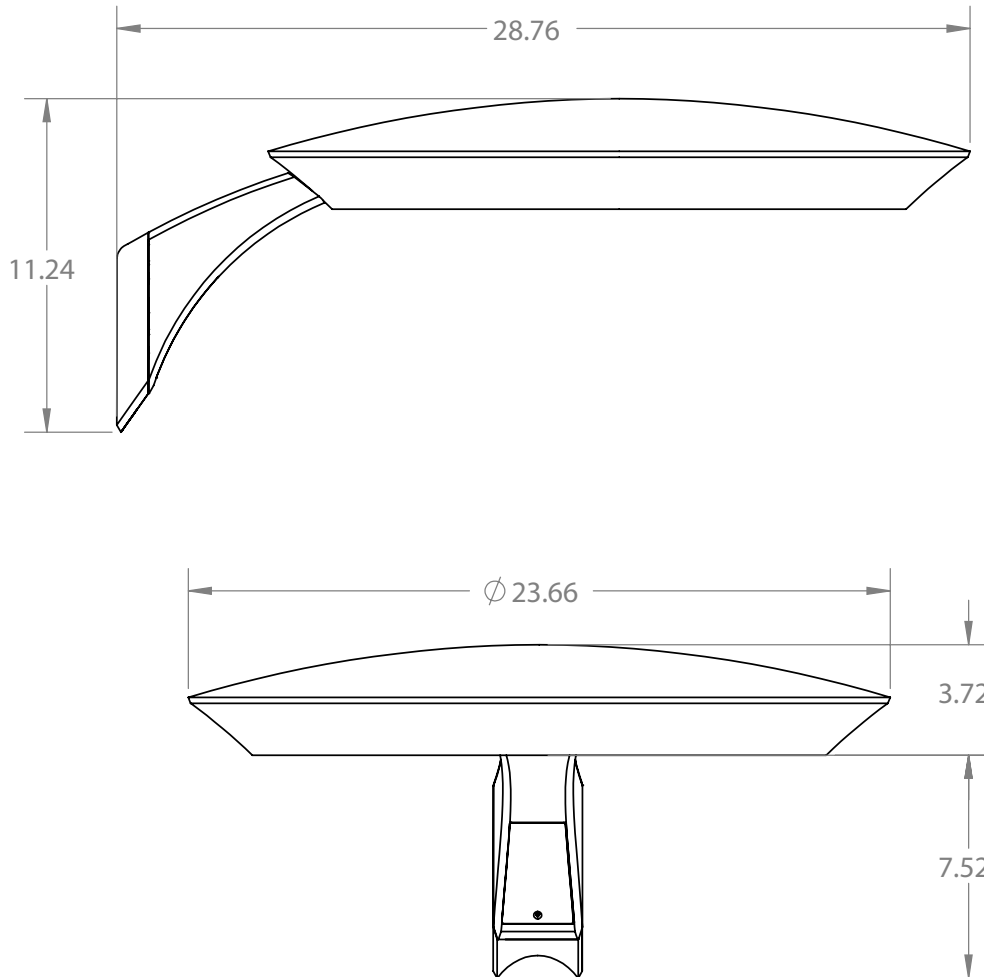
701 Kingshill Place, Carson, CA 90746  
Call Us Today (310) 341-2037

[nlsighting.com](http://nlsighting.com)

# PRODUCT SPECIFICATIONS

EPA	ORX-3-AM	ORX-3-KM
	.44 ft²	

MODEL	WIDTH	HEIGHT	LENGTH	WEIGHT
ORX-3-AM	23.6"	3.7"	28.76"	33.5 LBS
ORX-3-KM	23.6"	3.7"	32.62"	33.0 LBS



SCAN FOR INSTALLATION INSTRUCTIONS



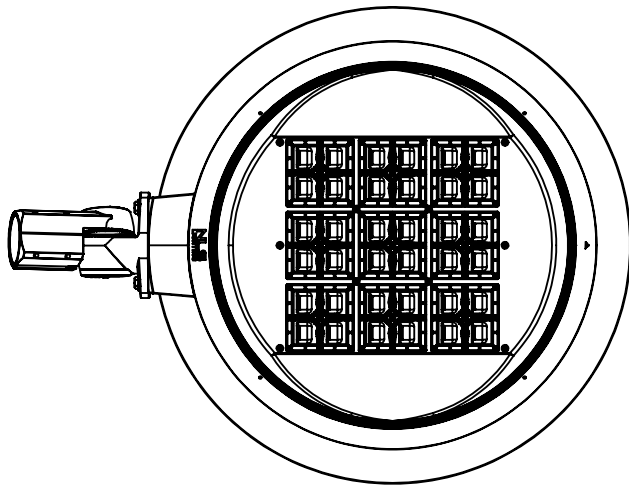
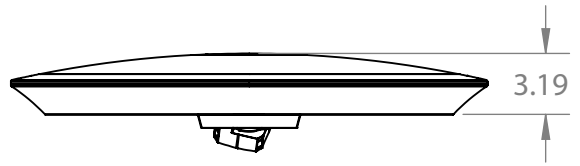
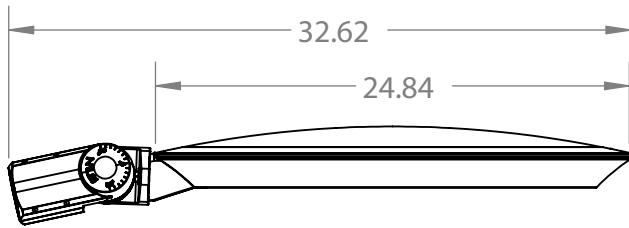
**NLS**  
LIGHTING

701 Kingshill Place, Carson, CA 90746  
Call Us Today (310) 341-2037

[nlsighting.com](http://nlsighting.com)

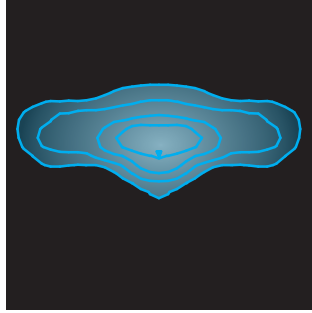
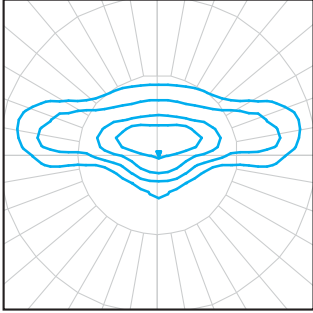


PRODUCT SPECIFICATIONS



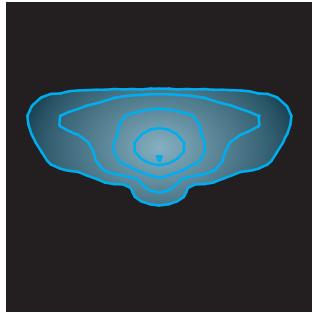
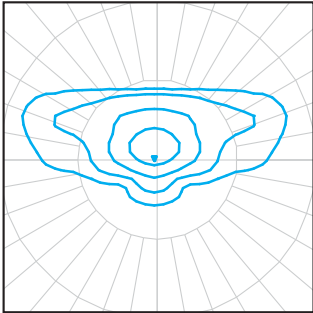
## PRODUCT SPECIFICATIONS

### IES DISTRIBUTIONS



#### T2 Optic

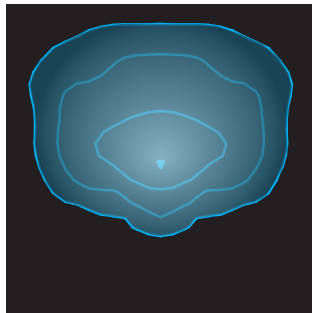
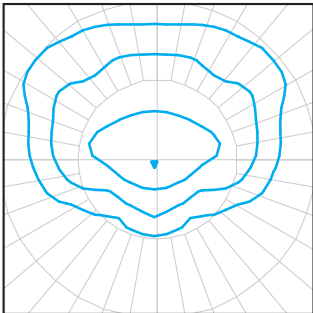
The Type II distribution is used for narrow pathways and trails, narrow entrances of shopping centers, parking lots and office complex's.



#### T3 Optic

The type III distribution is meant for roadway lighting, general parking areas and other areas where a larger area of lighting is required. Type III lighting needs to be placed to the side of the area, allowing the light to project outward and fill the area. This produces a filling light flow.

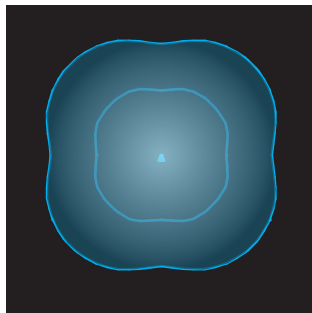
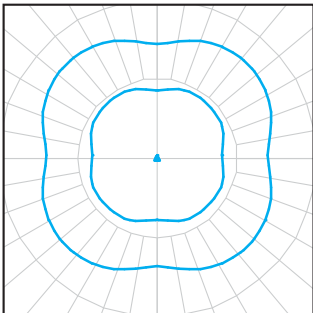
Type III light distributions have a preferred lateral width of 40 degrees. This distribution is intended for luminaires mounted at or near the side of medium width roadways or areas, where the width of the roadway or area does not exceed 2.75 times the mounting height.



#### T4 Optic

The type IV distribution produces a semicircular light meant for mounting on the sides of buildings and walls. It's best for illuminating the perimeter of parking areas and businesses. The intensity of the Type IV lighting has the same intensity at angles from 90 degrees to 270 degrees.

Type IV light distributions have a preferred lateral width of 60 degrees. This distribution is intended for side-of-road mounting and is generally used on wide roadways where the roadway width does not exceed 3.7 times the mounting height.



#### T5 Optic - Symmetrical

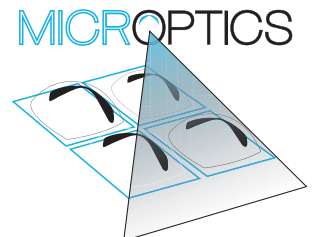
Type V produces a symmetrical distribution that has the same intensity at all angles. This distribution has a uniform symmetry of candlepower that is essentially the same at all lateral angles. It is meant for large, commercial parking lot lighting as well as areas where sufficient, evenly distributed light is necessary

### SILICONE OPTICS

NLS Lighting Silicone Micro Optical System technology takes quality and performance to the highest level. Vandal resistant, superior clarity—Micro Optics have become the best and lasting solution in the industry.

#### BENEFITS

- Produces superior 96% clarity
- Heat resistant to 150° C, 50% higher than acrylic
- Ecologically friendly—no glare
- Vandal-resistant
- Does not brittle, crack, or yellow over time



**NLS**  
LIGHTING

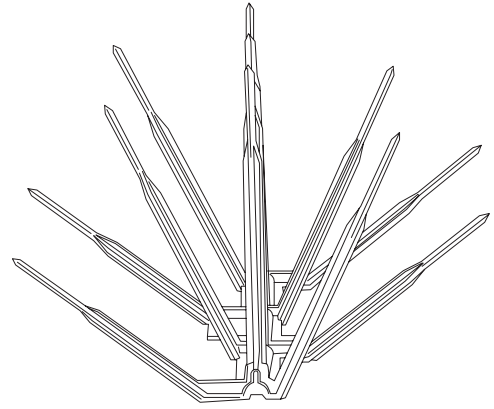
701 Kingshill Place, Carson, CA 90746  
Call Us Today (310) 341-2037

[nlsighting.com](http://nlsighting.com)

## PRODUCT SPECIFICATIONS

### BIRD SPIKES (BS)

Bird Deterrent offers effective and humane deterrent for larger bird species and provides cost-effective long-term solution to nuisance bird infestations and protect your property.



### MARINE GRADE FINISH (MGF)



**Powder Coat Finish**  
3-5 mil Powder Coat

**Primer Layer**  
3-5 mil Zinc Rich  
Super Durable Polyester Primer

**Prepared Casting**  
Chemically washed in multi Step 5 stage  
cleaning process

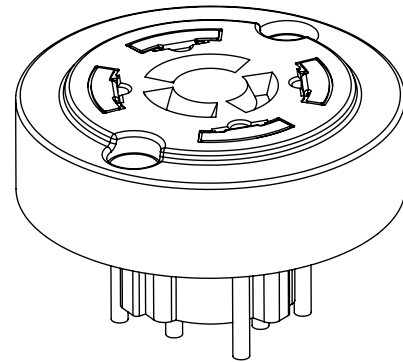
### Marine Grade Finish (MGF)

The (MGF) is a multi step process. Chemically washed in a 5 stage cleaning system. Pre-baked. Powder coated 3-5 mil of Zinc Rich Super Durable Polyester Primer. Oven Baked.

Finished Powder Coating of Super Durable Polyester Powder Coat 3-5 mil thickness.

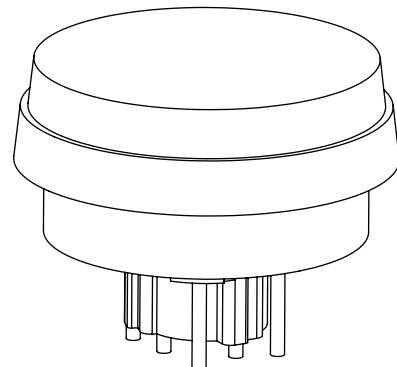
### NEMA 7-PIN RECEPTACLE (PE7)

An ANSI C136.41-2013 receptacle provides electrical and mechanical interconnection between photo control cell and luminaire. Dimming receptacle available two or four dimming contacts supports 0-10 VDC dimming methods or Digital Addressable Lighting Interface (DALI), providing reliable power interconnect.



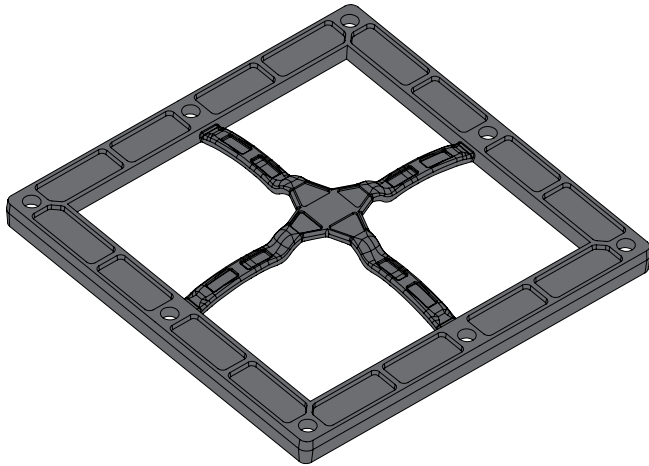
### RECEPTACLE + SHORTING CAP (PER)

7-Pin Receptacle and Shorting Cap.



## PRODUCT SPECIFICATIONS

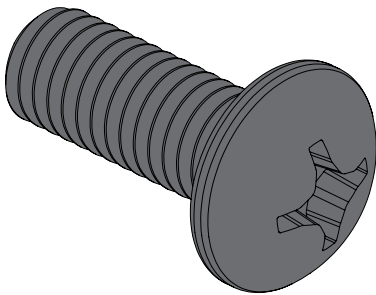
### BLACK OPTIC FRAME



### Black Optic Frame (BOF)

Optional Black Optic Frame.

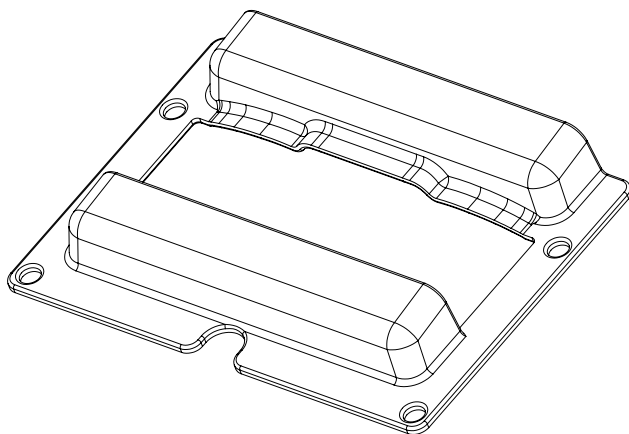
### BLACK HARDWARE



### Black Hardware (BH)

Black painted hardware.

### HOUSE SIDE SHIELD (HSS)

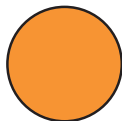


### House Side Shield (HSS)

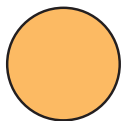
House Side Shield (HSS) is designed for stringent property line cutoff. Injection Molded Glass Filled Nylon, standard finish is black.

## PRODUCT SPECIFICATIONS

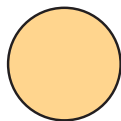
### LED KELVIN RANGE



AMBER  
585-600 nm



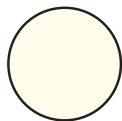
2700K 70 CRI



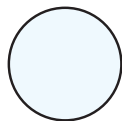
3000K 70 CRI



3500K 80 CRI



4000K 70 CRI



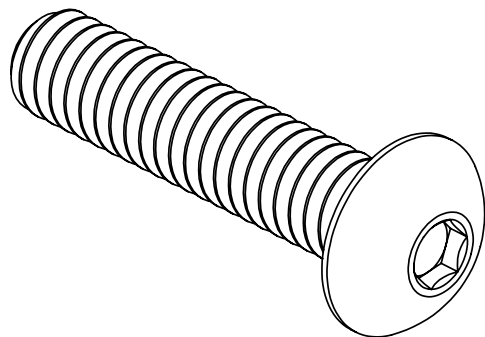
5000K 70 CRI

Color	Dominant or Peak Wavelength Range (nm)	
	Minimum	Maximum
Amber	585	600

Lumen Maintenance Data							
Ambient Temperature	Drive Current	L90 Hours*	L70 Hours**	30,000 Hours*	50,000 Hours*	60,000 Hours*	100,000 Hours**
25°C	Up to 700mA	58,000	173,000	95.7%	91.6%	89.6%	82.1%
	1050mA	48,000	143,000	94.3%	89.5%	87.2%	78.5%

\*Reported extrapolations per IESNA TM-21      \*\*Projected extrapolations per IESNA TM-21

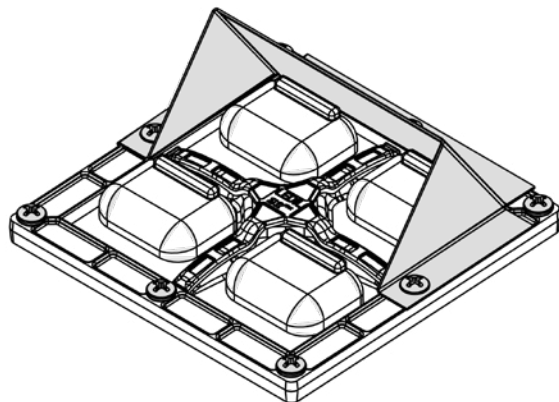
### TAMPER PROOF HARDWARE



### Tamper Proof Hardware (TPH)

316 Stainless Steel Button Head Hex Drive Screws. Provided to protect the optical assembly and the driver compartment for vandal resistance.

### AUTOMOTIVE HOUSE SIDE SHIELD



### Automotive House Side Shield (AHS)

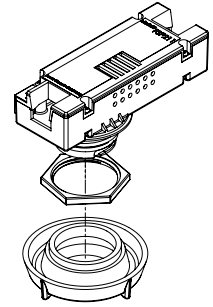
Automotive House Side Shield (AHS) is a single-sided shield allowing partial cut-off on either side or front of luminaire.

# PRODUCT SPECIFICATIONS

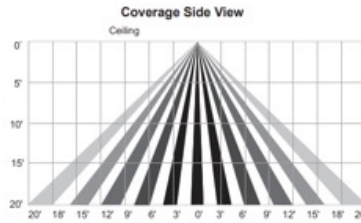
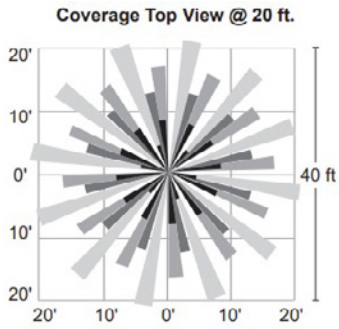
## FSP-211 WITH MOTION SENSOR (FSP-XX)

- FSP-211 (FSP-X)—Passive infrared (PIR) sensor providing multi-level control based on motion/daylight contribution.
- All control parameters adjustable via wireless configuration remote storing and transmitting sensor profiles.
- FSP-20 mounting heights 9-20 feet
- FSP-40 mounting heights 21-40 feet.
- Includes 5 dimming event cycles, 0-10V dimming with motion sensing, re-programmable in the field.
- FSIR-100 commissioning remote is required to change sensor settings. Please contact factory for ordering.

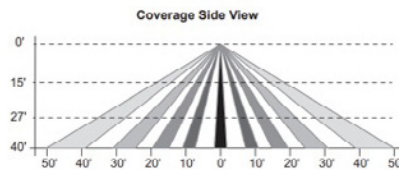
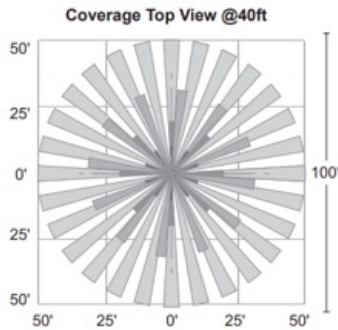
## FSP-211



### FSP-20



### FSP-40



### Sensor Specification

