



NV-3-ASA

**LED WATTAGE CHART**

Drive Current	160L	192L	256L
800 milliamps	-	-	596w-614w
850 milliamps	420w	-	633w-648w
900 milliamps	445w	561w	671w-686w
975 milliamps	479w	608w	732w-743w
1050 milliamps	518w	623w-655w	790w-799w
1200 milliamps	592w	-	-

**KEY FEATURES**

- Ideal High Lumen Output for Area, Site, Roadway, and Large Parking Venues such as: Corporate Parks, Shopping Malls, Event & Roadways, and Airports
- Sleek Robust Design of the NV-3 (Weight: 55 lbs., EPA: 0.73) Compliments the NV-1 and NV2, NV-3 with Sealed Glass Lens Also Available
- IES Distributions T2, T3, T4, and T5
- 160L, 192L, and 256L LED Configurations, 403 to 805 Watts
- 2700K, 3000K, 3500K, 4000K, 5000K CCT Multichip High Power 70 & 80 CRI LEDs
- IP66 Rated Against Dust & Water Ingress, IK10 Rated for Tamper/Vandalism/Impact Protection
- Mountings available have a 1.5G to 3G Vibration Rating: Architectural Sweep Arm, Direct Pole 6" and 11" Arm, Knuckle Mount, Wall Mount, Trunnion Mount, and Tennis Arm
- 20kA Surge Protection (120V - 480V), 0 - 10V Programmable, Dimming LED Drivers
- LED Drivers Ambient Temp. Min (°C) is -40°C and Ambient Temp. Max (°C) ranges from 50°C to 55°C
- Silicone Micro Optics providing 96% Clarity and Heat Resistant up to 150°C

- Controls Agnostic, Compatible with Most Control Systems and Sensors
- Environmentally Friendly Product Which Reduces Energy Consumption, L70 > 100,000 hours
- Easy to Install Mounting
- Cost Competitive and Short Shipping Lead Times in Days & Weeks

**BUY AMERICAN**

To ensure the latest BAA/TAA Standards are being met, please select BAA in the options section, or contact the factory before placing an order and any NLS products requesting BAA, TAA or BABA



Project Name:

Type:

# NV-3 ORDERING GUIDE

Cat#      Light Dist.      # of LEDs      Drive Current      Color Temp. / CCT      Voltage

Cat#	Light Dist.	# of LEDs	Drive Current	Color Temp. / CCT	Voltage
NV-3 (NV-3)	<b>Standard Silicone Micro Optics</b>		<b>Standard Configurations</b>		Amber LED 595nm Dominant Wavelength Standard Turtle Friendly <b>(AMBER)</b> <sup>6,12,15</sup>  Amber LED Phosphor Converted <b>(AMBER/PC)</b> <sup>6,15</sup>  2700K, 70 CRI <b>(27K7)</b> <sup>5</sup> 2700K, 80 CRI <b>(27K8)</b> <sup>1,5</sup> 3000K, 70 CRI <b>(30K7)</b> <sup>5</sup> 3000K, 80 CRI <b>(30K8)</b> <sup>1,5</sup> 3500K, 80 CRI <b>(35K8)</b> <sup>1</sup> 4000K, 70 CRI <b>(40K7)</b> 4000K, 80 CRI <b>(40K8)</b> <sup>1</sup> 5000K, 70 CRI <b>(50K7)</b> 5000K, 80 CRI <b>(50K8)</b> <sup>1</sup>
	Type 2 <b>(T2)</b>	160 LED <b>(160L)</b>	850mA <b>(85)</b> <sup>7</sup>	1050mA <b>(1)</b> <sup>7</sup>	
	Type 3 <b>(T3)</b>		900mA <b>(90)</b> <sup>7</sup>	1200mA <b>(12)</b>	
	Type 4 Automotive Forward <b>(T4AF)</b> <sup>20</sup>		975mA <b>(97)</b> <sup>7</sup>		
	<b>Performance Silicone Micro Optics</b>		<b>Standard Configurations</b>		
	Type 3 Medium <b>(T3M)</b>	192 LED <b>(192L)</b>	700mA <b>(7)</b>	900mA <b>(90)</b>	
	Type 4 Forward Throw Wide (For Perimeters) <b>(T4FTW)</b>		800mA <b>(8)</b>	975mA <b>(97)</b>	
	Type 4 Forward Throw Wide (For Perimeters) <b>(T4FTW)</b>		850mA <b>(85)</b>	1050mA <b>(1)</b>	
	Type 5 Wide (For Improved Uniformity & Wider Pole Spacing) <b>(T5W)</b>	256 LED <b>(256L)</b>	700mA <b>(7)</b>	900mA <b>(90)</b>	
			800mA <b>(8)</b>	975mA <b>(97)</b>	
			850mA <b>(85)</b>	1050mA <b>(1)</b>	
			<b>Performance Plus Configurations*</b>		
		256 LED <b>(256L)</b>	350mA <b>(35)</b> <sup>20</sup>	530mA <b>(53)</b> <sup>20</sup>	
			Custom Drive Current <b>(CUS-MA-***)</b> <sup>19</sup> Specify		

Our new T3M, T4FTW & T5W will replace our legacy T3, T4 & T5 optics. For New specifications, please use our T3M, T4FTW & T5W, where you would use our legacy Type 3, Type 4 & Type 5 optics. Consult factory for availability of our legacy T3, T4 & T5 optical configurations, if they are needed to match existing installations.

\* Performance Plus configurations with our New Performance Silicone Optics. (For optimized performance combine highest chip count with High Efficacy Drive Currents)

Mounting      Color      Controls Options      Options      Lens Options

Architectural Sweep Arm <b>(ASA)</b>	Bronze Textured <b>(BRZ)</b>	Nema 7-Pin Receptacle <b>(PE7)</b>	Bird Spikes <b>(BS)</b>	Glass Lens <b>(GL)</b> <sup>7,9,14</sup>
Direct Pole 6" Arm Single <b>(DPS6)</b> <sup>2</sup>	White Textured <b>(WHT)</b>	Photocell + Receptacle <b>(PCR)</b>	Marine Grade Finish <b>(MGF)</b>	HAL Lens <b>(HAL)</b> <sup>10,14</sup>
Direct Pole 11" Arm D180, D90, T90, T120, Quad <b>(DPS11)</b> <sup>2</sup>	Smooth White Gloss <b>(SWT)</b>	Receptacle + Shorting Cap <b>(PER)</b>	Optic Plate Painted to Match Fixture <b>(OPP)</b>	
Knuckle Mount <b>(KM)</b>	Silver Metallic <b>(SVR)</b>	<b>FSP-211 w/Motion Sensor/Photocell (120/277VAC, 230-240VAC)</b> 9'-20' Heights <b>(FSP211-20)</b> <sup>4,16</sup>	ASA Round Pole Adaptor 3"-4" Pole <b>(RPA-ASA-4)</b> <sup>18</sup>	
Wall Mount <b>(WM)</b>	Black Textured <b>(BLK)</b>	21'-40' Heights <b>(FSP211-40)</b> <sup>4,16</sup>	ASA Round Pole Adaptor 5"-6" Pole <b>(RPA-ASA-5)</b> <sup>18</sup>	
Trunnion Mount <b>(TM)</b> <sup>3</sup>	Smooth Black Gloss <b>(SBK)</b>	<b>FSP-221 w/Motion Sensor/Photocell (100/347VAC, 208/ 230/480VAC)</b> 9'-20' Heights <b>(FSP-HV-20)</b> <sup>17</sup>	Round Pole Adaptor 3"-4" Pole <b>(RPA4)</b>	
Tennis Arm Mount <b>(TA)</b>	Graphite Textured <b>(GPH)</b>	21'-40' Heights <b>(FSP-HV-40)</b> <sup>17</sup>	Round Pole Adaptor 5"-6" Pole <b>(RPA5)</b>	
Mast Arm Mount <b>(MA)</b>	Grey Textured <b>(GRY)</b>	Custom Controls Integration <b>(CCI)</b> <sup>11</sup>	Rotated Optic Left/ Right <b>(ROL/ ROR)</b>	
	Green Textured <b>(GRN)</b>	FSP Remote <b>(FSIR)</b> <sup>18</sup>	Automotive House Side Shield <b>(AHS)</b>	
	Hunter Green Textured <b>(HGN)</b>	Button Type Photocell <b>(PC)</b> <sup>4</sup>	House Side Shield <b>(HSS)</b> <sup>21</sup>	
	Custom <b>(CS)</b>		Precision Backlight Control Type 2 <b>(PBC2)</b>	
			Precision Backlight Control Type 3 <b>(PBC3)</b>	
			Precision Backlight Control Type 4 <b>(PBC4)</b>	
			Black Optic Frame <b>(BOF)</b> <sup>6</sup>	
			Buy American Act <b>(BAA)</b> <sup>13</sup>	
			Build America Buy American <b>(BABA)</b> <sup>13</sup>	
			Trade Agreement Act <b>(TAA)</b> <sup>13</sup>	

**NOTES:**

1. Consult Factory for Lead Time. Consult Factory for 90 CRI Requests
2. For Round Pole Specify RPA4 or RPA5
3. Standard finish is stainless steel. Can be painted to match fixture
4. Universal Voltage 120-277
5. 3000K or lower, with fixed mounting options only, must be selected to meet International Dark-Sky Association certification
6. Consult Factory for lead time
7. Glass lens (GL) only available with these mA's
8. Not available without Glass lens
9. Glass Lens: Low iron glass, fully tempered per ANSI C1047 (QCH-2201-37)
10. HAL Lens: Yellow Polycarbonate Lens – less than 2% Blue Light Content
11. Please contact Factory for Custom Control Integration requests (nLight, NX, WaveLinx, Crestron, DMX/RDM, Synapse, Casambi, Dali II, or other control systems)
12. Turtle Safe
13. Consult factory for all BAA/TAA/BABA requests
14. Contact factory
15. Not Available above 530mA
16. FSP-211, 120V/277V, 230-240VAC (single phase), 50/60Hz
17. FSP-221, 100-347VAC (single phase) or 208/230/480VAC (phase-to-phase)
18. Projects with sensors require Qty. 1 FSIR per project
19. See estimated scaling chart for multiplier values to estimate lumen output. Please contact Factory to verify the estimated performance data
20. Only for 256L
21. Maximum of 700mA available with Lens options



701 Kingshill Place, Carson, CA 90746  
Call Us Today (310) 341-2037

nslighting.com

# PRODUCT SPECIFICATIONS

## ELECTRICAL

- 120-277 Volts (UNV) or 347-480 Volts (HV)
- 0-10V dimming driver
- Driver power factor at maximum load is  $\geq .95$ , THD maximum load is 15%
- LED Drivers Ambient Temp. Min is -40°C and Ambient Temp. Max ranges from 50°C to 55°C and, in some cases, even higher. Consult the factory for revalidation by providing the fixture catalog string before quoting and specifying it.
- All internal wiring UL certified for 600 VAC and 105°C
- All drivers, controls, and sensors housed in enclosed IP66 compartment
- CRI 70, CRI 80
- Color temperatures: Amber, 2700K, 3000K, 3500K, 4000K, 5000K
- Surge Protection: 20kA supplied as standard.

## CONSTRUCTION

- Die Cast Aluminum
- External cooling fins
- Corrosion resistant external hardware
- One-piece silicone gasket ensures IP66 seal for electronics compartment
- One-piece Optics Plate™ mounting silicone Micro Optics
- Two-piece silicone Micro Optic system ensures IP67 level seal around each PCB
- Grade 2 Clear Anodized Optics Plate™ standard

## OPTICS

Silicone Micro Optics providing 96% Clarity and Heat Resistant up to 150°C. Silicone optics high thermal stability and light output provide higher powered LEDs with minimized lumen depreciation. UV stability with scratch resistance increases exterior application durability. Silicone optics do not yellow, crack or brittle over time.

## CONTROL OPTIONS

- **FSP-211 w/Motion Sensor/Photocell (120/277VAC, 230-240VAC)**  
(FSP-X) - Passive infrared (PIR) sensor providing multi-level control based on motion/daylight contribution.
- **FSP-221 w/Motion Sensor/Photocell (100-347VAC, 208/230/480VAC)**  
(FSP-HV-X) - Passive infrared (PIR) sensor providing multi-level control based on motion/daylight contribution.
  - All control parameters adjustable via wireless configuration remote storing and transmitting sensor profiles.
  - FSP-8 mounting heights 8 feet and below
  - FSP-20 mounting heights 9-20 feet.
  - FSP-40 mounting heights 21-40 feet.
  - Includes 5 dimming event cycles, 0-10V dimming with motion sensing, re-programmable in the field. Programmable remote must be purchased separately.
  - FSIR-100 commissioning remote is required to change sensor settings. Please contact factory for ordering.
- Controls Agnostic: Please contact factory for your preferred controls option. (nLight, NX, WaveLinX, Crestron, DMX/RDM, Synapse, Casambi, Dali II, or other control systems)
- NEMA 7-PIN RECEPTACLE (PE7) - An ANSI C136.41-2013 receptacle provides electrical and mechanical interconnection between photo control cell and luminaire. Dimming receptacle available two or four dimming contacts supports 0-10 VDC dimming methods or Digital Addressable Lighting Interface (DALI), providing reliable power interconnect.
- PHOTOCCELL + RECEPTACLE (PCR) - 7-Pin Receptacle and Electronic Twist Lock Photocell for dusk to dawn operation.
- RECEPTACLE + SHORTING CAP (PER) - 7-Pin Receptacle and Shorting Cap.
- GLASS LENS (GL) - Low Iron Glass, fully tempered.
- HAL LENS (HAL) - High Performance Yellow Polycarbonate Lens – less than 2% Blue Light Content

## OPTIONS

- BIRD SPIKES (BS) - Offer an effective and humane deterrent for larger bird species and provide a cost-effective long-term solution to nuisance bird infestations and to protect your property.
- MARINE GRADE FINISH (MGF) - A multi-step process creating a protective finishing coat against harsh environments. Chemically washed in a 5-stage cleaning system. Pre-baked, Powder coated 3-5 mils of Zinc Rich Super Durable Polyester Primer. Oven Baked. Finished Powder Coating of Super Durable Polyester Powder Coat 3-5 mil thickness.
- OPTIC PLATE PAINTED TO MATCH FIXTURE (OPP) - Optic plate is clear anodized as standard. The optic plate can be powder coated to match the finish of the fixture.
- ROUND POLE ADAPTER (RPA) - When using round poles, specify Round Pole Adapter (RPA). Specify RPA4 when installing on 3"-4" round poles, and RPA5 when installing on 5"-6" round poles.
- ROTATED OPTICS (ROL) (ROR) - Rotated optics are designed for perimeter lighting for auto dealerships.
- Glass Lens (GL) - Low Iron Glass, fully tempered.
- HAL LENS (HAL) - High Performance Yellow Polycarbonate Lens – less than 2% Blue Light Content
- SHIELDS (HSS, AHS) - House Side Shield (HSS) is designed for full property line cutoff. Automotive House Side Shield (AHS) is a single-sided shield allowing partial cutoff on either side or front of luminaire.
- BLACK OPTIC FRAME (BOF) - Optional black optic frame (includes black hardware). Standard is white.

## FINISH

- 3-5 mils electrostatic powder coat.
- NLS Lighting standard high-quality finishes prevent corrosion, and protects against extreme environmental conditions.
- 10 Standard Finishes, Custom Finish and Marine Grade Finish Available

## WARRANTY

Five-year limited warranty for drivers and LEDs.

## LISTINGS

- UL Listed in compliance with UL 1598, the Standard for Safety of Luminaires, including the applicable wet location requirements
- Compliant with UL 8750 LED driver design and test safety standards
- CSA C22.2 No. 250.0
- DesignLights Consortium® (DLC) Pending
- DesignLights Consortium Premium® (DLCP) Pending
- IP66 Rated Fixture / IP67 Rated Optics
- IDA Dark Sky Approved
- 1.5G Vibration Rated - Knuckle Mount, Direct Pole Mount 11"
- 3G Vibration Rated - Trunnion Mount

## BUY AMERICAN OPTION

While all of the NLS Lighting products listed in this document qualify for the Buy America(n) Act of 1933, we reserve the right to change our listings without notice.

The information provided above is for general informational purposes only. We encourage you to consult legal professionals for advice particular to your projects concerning BAA, TAA, BABA or Buy America.

Additional NLS Products that meet BAA, TAA standards can be found at the following link:

[https://nslighting.com/wp-content/uploads/cs/NLS\\_BuyAmerica\(n\).pdf](https://nslighting.com/wp-content/uploads/cs/NLS_BuyAmerica(n).pdf)



The information and specifications on this document are subject to change without any notification. All values are design, nominal, or typical or prorated values when measured under internal and external laboratory conditions.

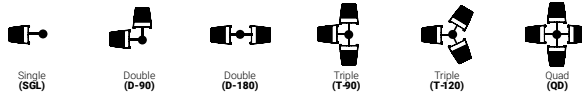


701 Kingshill Place, Carson, CA 90746  
Call Us Today (310) 341-2037

[nslighting.com](https://nslighting.com)

# PRODUCT SPECIFICATIONS

## MOUNTING CONFIGURATION



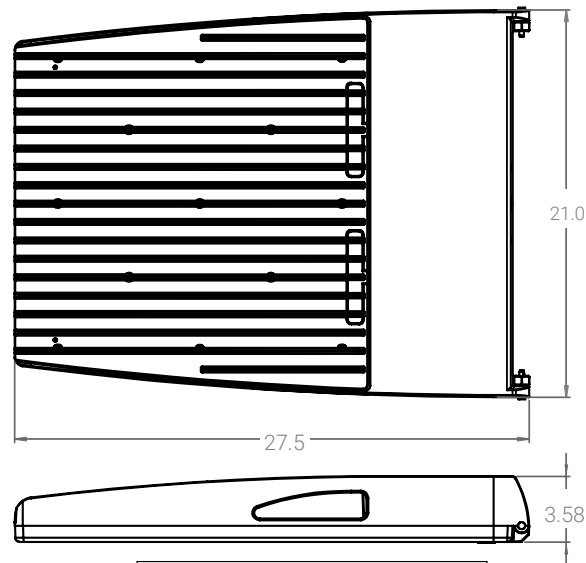
## NV-3 EPA DATA

EPA	SGL	D90	D180	T90	T120	QD
FIXTURE ONLY	.73	1.33	1.46	2.06	1.81	2.06
DPS6 ARM	0.18	-	0.37	-	-	-
DPS11 ARM	0.34	0.67	0.67	0.67	0.58	0.67
TOTAL EPA WITH DPS6 (ft*2)	0.91	-	1.83	-	-	-
TOTAL EPA WITH DPS11 (ft*2)	1.07	2.00	2.13	2.73	2.39	2.73

## DP(X) ARM LENGTH

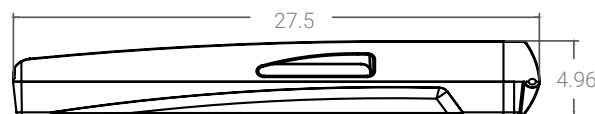
ARM	SGL	D90	D180	T90	T120	QD
DPS6	6.25"	-	6.25"	-	-	-
DPS11	-	11.25"	-	11.25"	11.25"	11.25"

## STANDARD VERSION



**Weight: 55 lbs**

## GLASS LENS VERSION



**Weight: 58 lbs**

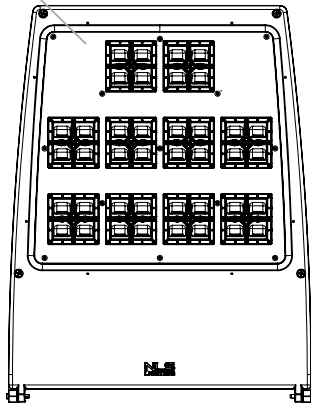
# PRODUCT SPECIFICATIONS

## OPTICAL CONFIGURATIONS

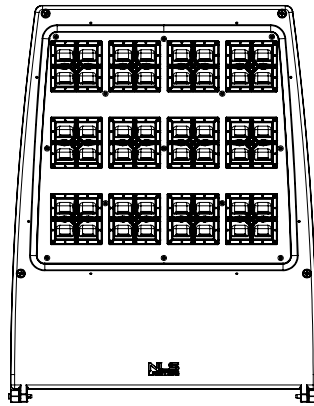
Rotate-able Optics (ROR) Rotated Right, (ROL) Rotated Left options available. Optics field and factory rotate-able.

Note: Risk for water ingress if allowing rotate-able optics procedure done in the field.

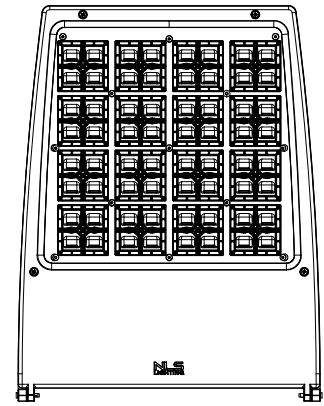
(OPP)



**NV-3 / 160L**



**NV-3 / 192L**



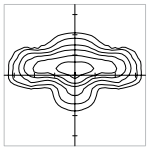
**NV-3 / 256L**

OPTIC PLATE PAINTED TO MATCH FIXTURE FINISH (OPP)– Optic Plate standard clear anodized, Grade 2. When (OPP) specified, Optic Plate finish will match fixture finish.

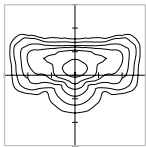
## OPTICS

Silicone optics high photothermal stability and light output provides higher powered LEDs with minimized lumen depreciation LED life. UV and thermal stability with scratch resistance increases exterior application durability.

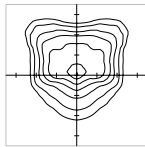
IES Types



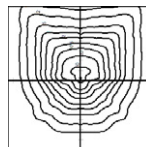
TYPE II (T2)



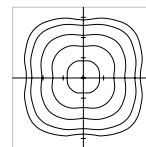
TYPE III (T3)



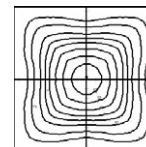
TYPE IV (T4)



TYPE IV  
FORWARD  
(T4FTW)



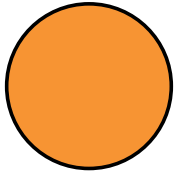
TYPE V (T5)



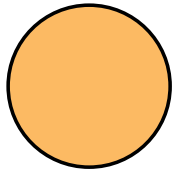
TYPE V WIDE  
(T5W)

# PRODUCT SPECIFICATIONS

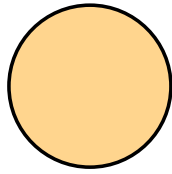
## LED KELVIN RANGE



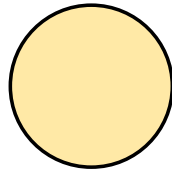
AMBER  
585-600 nm



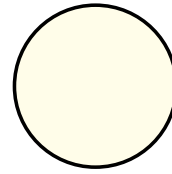
2700K 70 CRI



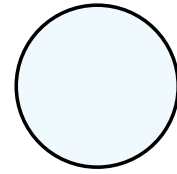
3000K 70 CRI



3500K 80 CRI



4000K 70 CRI



5000K 70 CRI

Color	Dominant or Peak Wavelength Range (nm)	
	Minimum	Maximum
Amber	585	600

## NV-3 LUMEN MAINTENANCE

Lumen Maintenance Data							
Ambient Temperature	Drive Current	L90 Hours*	L70 Hours**	30,000 Hours*	50,000 Hours*	60,000 Hours*	100,000 Hours**
25°C	Up to 700mA	58,000	173,000	95.7%	91.6%	89.6%	82.1%
	1050mA	48,000	143,000	94.3%	89.5%	87.2%	78.5%
*Reported extrapolations per IESNA TM-21				**Projected extrapolations per IESNA TM-21			
Lumen Maintenance Data (For Static Colors, Please Contact Factory)							

MULTIPLIERS FOR 70/80/90 CRI (Scaling Factor from 5000K 70 CRI)			
CCT	70 CRI	80 CRI	90 CRI
2700K	0.840	0.737	0.609
3000K	0.975	0.776	0.640
3500K	0.890	0.800	0.659
4000K	1.000	0.815	0.679
5000K	1.000	0.830	0.710

# PRODUCT SPECIFICATIONS

## LUMEN CHARTS

LUMEN CHART AMBER WITH T3

PART NUMBER	T3	LPW	WATTAGE	BUG	MULTIPLIER FOR 50K7 GOING TO AMBER
NV-3-160L-35-AMBER	9380	85	110	B2-U0-G2	0.3873
NV-3-160L-53-AMBER	9569	47	205	B2-U0-G2	0.2736
NV-3-192L-35-AMBER	11177	77	145	B3-U0-G3	0.3873
NV-3-192L-53-AMBER	12027	53	225	B3-U0-G3	0.2736
NV-3-256L-35-AMBER	14127	69	206	B3-U0-G3	0.3873
NV-3-256L-53-AMBER	14257	45	318	B3-U0-G3	0.2529

LUMEN CHART AMBER WITH T2

PART NUMBER	T2	LPW	WATTAGE	BUG	MULTIPLIER FOR 50K7 GOING TO AMBER
NV-3-160L-35-AMBER	9324	85	110	B2-U0-G2	0.3873
NV-3-160L-53-AMBER	9497	46	205	B2-U0-G2	0.2736
NV-3-192L-35-AMBER	11151	77	145	B2-U0-G2	0.3873
NV-3-192L-53-AMBER	12001	53	225	B2-U0-G2	0.2736
NV-3-256L-35-AMBER	14047	68	206	B3-U0-G3	0.3873
NV-3-256L-53-AMBER	14197	45	318	B3-U0-G3	0.2529

LUMEN CHART AMBER WITH T4FTW

PART NUMBER	T4FTW	LPW	WATTAGE	BUG	MULTIPLIER FOR 50K7 GOING TO AMBER
NV-3-160L-35-AMBER	8308	76	110	B2-U0-G3	0.3873
NV-3-160L-53-AMBER	8426	41	205	B2-U0-G3	0.2736
NV-3-192L-35-AMBER	9939	69	145	B2-U0-G3	0.3873
NV-3-192L-53-AMBER	10739	48	225	B2-U0-G3	0.2736
NV-3-256L-35-AMBER	11818	57	206	B2-U0-G3	0.3873
NV-3-256L-53-AMBER	11948	38	318	B2-U0-G3	0.2529

LUMEN CHART AMBER WITH T5W

PART NUMBER	T5W	LPW	WATTAGE	BUG	MULTIPLIER FOR 50K7 GOING TO AMBER
NV-3-160L-35-AMBER	9916	90	110	B4-U0-G2	0.3873
NV-3-160L-53-AMBER	10568	52	205	B4-U0-G2	0.2736
NV-3-192L-35-AMBER	11600	80	145	B4-U0-G3	0.3873
NV-3-192L-53-AMBER	12457	55	225	B4-U0-G3	0.2736
NV-3-256L-35-AMBER	14900	72	206	B4-U0-G2	0.3873
NV-3-256L-53-AMBER	15030	47	318	B4-U0-G2	0.2529

# PRODUCT SPECIFICATIONS

## LUMEN CHARTS

LUMEN CHART STANDARD SILICONE MICRO OPTICS					
PART NUMBER	T2	LM/W	T3	LM/W	WATTAGE
NV-3-160L-85-27K7	44205	105	44559	106	421
NV-3-160L-85-30K7	51309	122	51720	123	421
NV-3-160L-85-40K7	52625	125	53046	126	421
NV-3-160L-85-50K7	52625	125	53046	126	421
NV-3-160L-90-27K7	46830	105	47205	106	446
NV-3-160L-90-30K7	54356	122	54791	123	446
NV-3-160L-90-40K7	55750	125	56196	126	446
NV-3-160L-90-50K7	55750	125	56196	126	446
NV-3-160L-97-27K7	49997	104	50400	105	480
NV-3-160L-97-30K7	58032	121	58500	122	480
NV-3-160L-97-40K7	59520	124	60000	125	480
NV-3-160L-97-50K7	59520	124	60000	125	480
NV-3-160L-1-27K7	54288	104	54382	105	520
NV-3-160L-1-30K7	63012	121	63122	121	520
NV-3-160L-1-40K7	64628	124	64740	125	520
NV-3-160L-1-50K7	64628	124	64740	125	520
NV-3-160L-12-27K7	59376	100	62160	105	594
NV-3-160L-12-30K7	68919	116	72150	121	594
NV-3-160L-12-40K7	70686	119	74000	125	594
NV-3-160L-12-50K7	70686	119	74000	125	594
NV-3-192L-7-27K7	42393	104	42878	105	407
NV-3-192L-7-30K7	49206	121	49769	122	407
NV-3-192L-7-40K7	50468	124	51045	125	407
NV-3-192L-7-50K7	50468	124	51045	125	407
NV-3-192L-8-27K7	47653	102	48044	103	465
NV-3-192L-8-30K7	55312	119	55765	120	465
NV-3-192L-8-40K7	56730	122	57195	123	465
NV-3-192L-8-50K7	56730	122	57195	123	465
NV-3-192L-85-27K7	50625	102	51183	104	494
NV-3-192L-85-30K7	58761	119	59409	120	494
NV-3-192L-85-40K7	60268	122	60932	123	494
NV-3-192L-85-50K7	60268	122	60932	123	494
NV-3-192L-9-27K7	53158	102	53597	102	523
NV-3-192L-9-30K7	61701	118	62211	119	523
NV-3-192L-9-40K7	63283	121	63806	122	523
NV-3-192L-9-50K7	63283	121	63806	122	523
NV-3-192L-97-27K7	57325	102	57799	102	564
NV-3-192L-97-30K7	66538	118	67088	119	564
NV-3-192L-97-40K7	68244	121	68808	122	564
NV-3-192L-97-50K7	68244	121	68808	122	564
NV-3-192L-1-27K7	63334	102	63554	102	623
NV-3-192L-1-30K7	73513	118	73769	118	623
NV-3-192L-1-40K7	75398	121	75660	122	623
NV-3-192L-1-50K7	75398	121	75660	122	623
NV-3-256L-35-27K7	32792	125	33012	126	262
NV-3-256L-35-30K7	38062	145	38318	146	262
NV-3-256L-35-40K7	39038	149	39300	150	262
NV-3-256L-35-50K7	39038	149	39300	150	262
NV-3-256L-53-27K7	49639	123	49977	124	402
NV-3-256L-53-30K7	57617	143	58009	144	402
NV-3-256L-53-40K7	59094	147	59496	148	402
NV-3-256L-53-50K7	59094	147	59496	148	402
NV-3-256L-7-27K7	64230	121	64676	122	531
NV-3-256L-7-30K7	74552	140	75070	141	531
NV-3-256L-7-40K7	76464	144	76995	145	531
NV-3-256L-7-50K7	76464	144	76995	145	531

# PRODUCT SPECIFICATIONS

LUMEN CHART STANDARD SILICONE MICRO OPTICS					
PART NUMBER	T2	LM/W	T3	LM/W	WATTAGE
NV-3-256L-8-27K7	72403	119	72913	120	607
NV-3-256L-8-30K7	84039	138	84631	139	607
NV-3-256L-8-40K7	86194	142	86801	143	607
NV-3-256L-8-50K7	86194	142	86801	143	607
NV-3-256L-85-27K7	77031	119	77230	120	644
NV-3-256L-85-30K7	89411	139	89642	139	644
NV-3-256L-85-40K7	91704	142	91940	143	644
NV-3-256L-85-50K7	91704	142	91940	143	644
NV-3-256L-9-27K7	81468	119	82042	120	683
NV-3-256L-9-30K7	94561	138	95227	139	683
NV-3-256L-9-40K7	96986	142	97669	143	683
NV-3-256L-9-50K7	96986	142	97669	143	683
NV-3-256L-97-27K7	87172	118	87790	119	736
NV-3-256L-97-30K7	101182	137	101899	138	736
NV-3-256L-97-40K7	103776	141	104512	142	736
NV-3-256L-97-50K7	103776	141	104512	142	736
NV-3-256L-1-27K7	94397	118	95066	119	797
NV-3-256L-1-30K7	109568	137	110345	138	797
NV-3-256L-1-40K7	112377	141	113174	142	797
NV-3-256L-1-50K7	112377	141	113174	142	797

# PRODUCT SPECIFICATIONS

LUMEN CHART PERFORMANCE SILICONE MICRO OPTICS - TYPE 3 MEDIUM			
PART NUMBER	T3M	LPW	WATTAGE
NV-3-160L-85-27K7	41730	99	421
NV-3-160L-85-27K8	38898	92	421
NV-3-160L-85-30K7	48436	115	421
NV-3-160L-85-30K8	41978	100	421
NV-3-160L-85-35K8	42127	100	421
NV-3-160L-85-40K7	49678	118	421
NV-3-160L-85-40K8	44710	106	421
NV-3-160L-85-50K7	49678	118	421
NV-3-160L-85-50K8	44710	106	421
NV-3-160L-90-27K7	43833	98	446
NV-3-160L-90-27K8	40859	92	446
NV-3-160L-90-30K7	50877	114	446
NV-3-160L-90-30K8	44094	99	446
NV-3-160L-90-35K8	44250	99	446
NV-3-160L-90-40K7	52182	117	446
NV-3-160L-90-40K8	46964	105	446
NV-3-160L-90-50K7	52182	117	446
NV-3-160L-90-50K8	46964	105	446
NV-3-160L-97-27K7	47174	98	480
NV-3-160L-97-27K8	43973	92	480
NV-3-160L-97-30K7	54756	114	480
NV-3-160L-97-30K8	47455	99	480
NV-3-160L-97-35K8	47624	99	480
NV-3-160L-97-40K7	56160	117	480
NV-3-160L-97-40K8	50544	105	480
NV-3-160L-97-50K7	56160	117	480
NV-3-160L-97-50K8	50544	105	480
NV-3-160L-1-27K7	50900	98	520
NV-3-160L-1-27K8	47446	91	520
NV-3-160L-1-30K7	59080	114	520
NV-3-160L-1-30K8	51203	98	520
NV-3-160L-1-35K8	51385	99	520
NV-3-160L-1-40K7	60595	117	520
NV-3-160L-1-40K8	54536	105	520
NV-3-160L-1-50K7	60595	117	520
NV-3-160L-1-50K8	54536	105	520
NV-3-160L-12-27K7	57380	97	594
NV-3-160L-12-27K8	53487	90	594
NV-3-160L-12-30K7	66602	112	594
NV-3-160L-12-30K8	57722	97	594
NV-3-160L-12-35K8	57927	98	594
NV-3-160L-12-40K7	68310	115	594
NV-3-160L-12-40K8	61479	104	594
NV-3-160L-12-50K7	68310	115	594
NV-3-160L-12-50K8	61479	104	594
NV-3-192L-7-27K7	41026	101	407
NV-3-192L-7-27K8	38242	94	407
NV-3-192L-7-30K7	47619	117	407
NV-3-192L-7-30K8	41270	101	407
NV-3-192L-7-35K8	41416	102	407
NV-3-192L-7-40K7	48840	120	407
NV-3-192L-7-40K8	43956	108	407
NV-3-192L-7-50K7	48840	120	407
NV-3-192L-7-50K8	43956	108	407
NV-3-192L-8-27K7	46481	100	465
NV-3-192L-8-27K8	43327	93	465

LUMEN CHART PERFORMANCE SILICONE MICRO OPTICS - TYPE 3 MEDIUM			
PART NUMBER	T3M	LPW	WATTAGE
NV-3-192L-8-30K7	53952	116	465
NV-3-192L-8-30K8	46758	101	465
NV-3-192L-8-35K8	46924	101	465
NV-3-192L-8-40K7	55335	119	465
NV-3-192L-8-40K8	49802	107	465
NV-3-192L-8-50K7	55335	119	465
NV-3-192L-8-50K8	49802	107	465
NV-3-192L-85-27K7	49380	100	494
NV-3-192L-85-27K8	46029	93	494
NV-3-192L-85-30K7	57316	116	494
NV-3-192L-85-30K8	49674	101	494
NV-3-192L-85-35K8	49851	101	494
NV-3-192L-85-40K7	58786	119	494
NV-3-192L-85-40K8	52907	107	494
NV-3-192L-85-50K7	58786	119	494
NV-3-192L-85-50K8	52907	107	494
NV-3-192L-9-27K7	51840	99	523
NV-3-192L-9-27K8	48322	92	523
NV-3-192L-9-30K7	60171	115	523
NV-3-192L-9-30K8	52148	100	523
NV-3-192L-9-35K8	52333	100	523
NV-3-192L-9-40K7	61714	118	523
NV-3-192L-9-40K8	55543	106	523
NV-3-192L-9-50K7	61714	118	523
NV-3-192L-9-50K8	55543	106	523
NV-3-192L-97-27K7	55904	99	564
NV-3-192L-97-27K8	52110	92	564
NV-3-192L-97-30K7	64888	115	564
NV-3-192L-97-30K8	56236	100	564
NV-3-192L-97-35K8	56436	100	564
NV-3-192L-97-40K7	66552	118	564
NV-3-192L-97-40K8	59897	106	564
NV-3-192L-97-50K7	66552	118	564
NV-3-192L-97-50K8	59897	106	564
NV-3-192L-1-27K7	61909	100	622
NV-3-192L-1-27K8	57708	93	622
NV-3-192L-1-30K7	71858	116	622
NV-3-192L-1-30K8	62277	100	622
NV-3-192L-1-35K8	62498	100	622
NV-3-192L-1-40K7	73701	118	622
NV-3-192L-1-40K8	66331	107	622
NV-3-192L-1-50K7	73701	118	622
NV-3-192L-1-50K8	66331	107	622
NV-3-256L-35-27K7	33216	123	269
NV-3-256L-35-27K8	30962	115	269
NV-3-256L-35-30K7	38554	143	269
NV-3-256L-35-30K8	33414	124	269
NV-3-256L-35-35K8	33532	125	269
NV-3-256L-35-40K7	39543	147	269
NV-3-256L-35-40K8	35589	132	269
NV-3-256L-35-50K7	39543	147	269
NV-3-256L-35-50K8	35589	132	269
NV-3-256L-53-27K7	45128	111	407
NV-3-256L-53-27K8	42066	103	407
NV-3-256L-53-30K7	52381	129	407
NV-3-256L-53-30K8	45397	112	407

# PRODUCT SPECIFICATIONS

LUMEN CHART PERFORMANCE SILICONE MICRO OPTICS - TYPE 3 MEDIUM			
PART NUMBER	T3M	LPW	WATTAGE
NV-3-256L-53-35K8	45558	112	407
NV-3-256L-53-40K7	53724	132	407
NV-3-256L-53-40K8	48352	119	407
NV-3-256L-53-50K7	53724	132	407
NV-3-256L-53-50K8	48352	119	407
NV-3-256L-7-27K7	53778	100	538
NV-3-256L-7-27K8	50129	93	538
NV-3-256L-7-30K7	62421	116	538
NV-3-256L-7-30K8	54099	101	538
NV-3-256L-7-35K8	54291	101	538
NV-3-256L-7-40K7	64022	119	538
NV-3-256L-7-40K8	57620	107	538
NV-3-256L-7-50K7	64022	119	538
NV-3-256L-7-50K8	57620	107	538
NV-3-256L-8-27K7	60959	99	615
NV-3-256L-8-27K8	56822	92	615
NV-3-256L-8-30K7	70756	115	615
NV-3-256L-8-30K8	61322	100	615
NV-3-256L-8-35K8	61539	100	615
NV-3-256L-8-40K7	72570	118	615
NV-3-256L-8-40K8	65313	106	615
NV-3-256L-8-50K7	72570	118	615
NV-3-256L-8-50K8	65313	106	615
NV-3-256L-85-27K7	64725	99	653
NV-3-256L-85-27K8	60333	92	653
NV-3-256L-85-30K7	75128	115	653
NV-3-256L-85-30K8	65111	100	653
NV-3-256L-85-35K8	65342	100	653
NV-3-256L-85-40K7	77054	118	653
NV-3-256L-85-40K8	69349	106	653
NV-3-256L-85-50K7	77054	118	653
NV-3-256L-85-50K8	69349	106	653
NV-3-256L-9-27K7	68010	98	692
NV-3-256L-9-27K8	63395	92	692
NV-3-256L-9-30K7	78940	114	692
NV-3-256L-9-30K8	68415	99	692
NV-3-256L-9-35K8	68657	99	692
NV-3-256L-9-40K7	80964	117	692
NV-3-256L-9-40K8	72868	105	692
NV-3-256L-9-50K7	80964	117	692
NV-3-256L-9-50K8	72868	105	692
NV-3-256L-97-27K7	73317	98	746
NV-3-256L-97-27K8	68342	92	746
NV-3-256L-97-30K7	85100	114	746
NV-3-256L-97-30K8	73753	99	746
NV-3-256L-97-35K8	74015	99	746
NV-3-256L-97-40K7	87282	117	746
NV-3-256L-97-40K8	78554	105	746
NV-3-256L-97-50K7	87282	117	746
NV-3-256L-97-50K8	78554	105	746
NV-3-256L-1-27K7	79041	98	807
NV-3-256L-1-27K8	73678	91	807
NV-3-256L-1-30K7	91745	114	807
NV-3-256L-1-30K8	79512	99	807
NV-3-256L-1-35K8	79794	99	807
NV-3-256L-1-40K7	94097	117	807
NV-3-256L-1-40K8	84687	105	807
NV-3-256L-1-50K7	94097	117	807
NV-3-256L-1-50K8	84687	105	807

# PRODUCT SPECIFICATIONS

LUMEN CHART PERFORMANCE SILICONE MICRO OPTICS - TYPE 4 FORWARD THROW WIDE			
PART NUMBER	T4FTW	LPW	WATTAGE
NV-3-160L-85-27K7	39547	94	420
NV-3-160L-85-27K8	36175	86	420
NV-3-160L-85-30K7	42758	102	420
NV-3-160L-85-30K8	39039	93	420
NV-3-160L-85-35K8	39178	93	420
NV-3-160L-85-40K7	46200	110	420
NV-3-160L-85-40K8	39963	95	420
NV-3-160L-85-50K7	46200	110	420
NV-3-160L-85-50K8	41580	99	420
NV-3-160L-90-27K7	41901	94	445
NV-3-160L-90-27K8	38328	86	445
NV-3-160L-90-30K7	45303	102	445
NV-3-160L-90-30K8	41363	93	445
NV-3-160L-90-35K8	41510	93	445
NV-3-160L-90-40K7	48950	110	445
NV-3-160L-90-40K8	42342	95	445
NV-3-160L-90-50K7	48950	110	445
NV-3-160L-90-50K8	44055	99	445
NV-3-160L-97-27K7	45103	94	479
NV-3-160L-97-27K8	41256	86	479
NV-3-160L-97-30K7	48765	102	479
NV-3-160L-97-30K8	44523	93	479
NV-3-160L-97-35K8	44681	93	479
NV-3-160L-97-40K7	52690	110	479
NV-3-160L-97-40K8	45577	95	479
NV-3-160L-97-50K7	52690	110	479
NV-3-160L-97-50K8	47421	99	479
NV-3-160L-1-27K7	48570	94	518
NV-3-160L-1-27K8	44428	86	518
NV-3-160L-1-30K7	52514	101	518
NV-3-160L-1-30K8	47946	93	518
NV-3-160L-1-35K8	48116	93	518
NV-3-160L-1-40K7	56741	110	518
NV-3-160L-1-40K8	49081	95	518
NV-3-160L-1-50K7	56741	110	518
NV-3-160L-1-50K8	51067	99	518
NV-3-160L-12-27K7	49662	84	592
NV-3-160L-12-27K8	45427	77	592
NV-3-160L-12-30K7	53694	91	592
NV-3-160L-12-30K8	49024	83	592
NV-3-160L-12-35K8	49198	83	592
NV-3-160L-12-40K7	58016	98	592
NV-3-160L-12-40K8	50184	85	592
NV-3-160L-12-50K7	58016	98	592
NV-3-160L-12-50K8	52214	88	592
NV-3-192L-7-27K7	38011	92	415
NV-3-192L-7-27K8	34769	84	415
NV-3-192L-7-30K7	41097	99	415
NV-3-192L-7-30K8	37522	90	415
NV-3-192L-7-35K8	37655	91	415
NV-3-192L-7-40K7	44405	107	415
NV-3-192L-7-40K8	38410	93	415
NV-3-192L-7-50K7	44405	107	415
NV-3-192L-7-50K8	39965	96	415
NV-3-192L-8-27K7	43506	92	475
NV-3-192L-8-27K8	39796	84	475

LUMEN CHART PERFORMANCE SILICONE MICRO OPTICS - TYPE 4 FORWARD THROW WIDE			
PART NUMBER	T4FTW	LPW	WATTAGE
NV-3-192L-8-30K7	47039	99	475
NV-3-192L-8-30K8	42947	90	475
NV-3-192L-8-35K8	43100	91	475
NV-3-192L-8-40K7	50825	107	475
NV-3-192L-8-40K8	43964	93	475
NV-3-192L-8-50K7	50825	107	475
NV-3-192L-8-50K8	45743	96	475
NV-3-192L-85-27K7	47457	94	504
NV-3-192L-85-27K8	43410	86	504
NV-3-192L-85-30K7	51310	102	504
NV-3-192L-85-30K8	46847	93	504
NV-3-192L-85-35K8	47013	93	504
NV-3-192L-85-40K7	55440	110	504
NV-3-192L-85-40K8	47956	95	504
NV-3-192L-85-50K7	55440	110	504
NV-3-192L-85-50K8	49896	99	504
NV-3-192L-9-27K7	52824	94	561
NV-3-192L-9-27K8	48319	86	561
NV-3-192L-9-30K7	57113	102	561
NV-3-192L-9-30K8	52145	93	561
NV-3-192L-9-35K8	52330	93	561
NV-3-192L-9-40K7	61710	110	561
NV-3-192L-9-40K8	53379	95	561
NV-3-192L-9-50K7	61710	110	561
NV-3-192L-9-50K8	55539	99	561
NV-3-192L-97-27K7	57249	94	608
NV-3-192L-97-27K8	52367	86	608
NV-3-192L-97-30K7	61897	102	608
NV-3-192L-97-30K8	56514	93	608
NV-3-192L-97-35K8	56714	93	608
NV-3-192L-97-40K7	66880	110	608
NV-3-192L-97-40K8	57851	95	608
NV-3-192L-97-50K7	66880	110	608
NV-3-192L-97-50K8	60192	99	608
NV-3-192L-1-27K7	58514	94	623
NV-3-192L-1-27K8	53524	86	623
NV-3-192L-1-30K7	63265	102	623
NV-3-192L-1-30K8	57763	93	623
NV-3-192L-1-35K8	57968	93	623
NV-3-192L-1-40K7	68358	110	623
NV-3-192L-1-40K8	59130	95	623
NV-3-192L-1-50K7	68358	110	623
NV-3-192L-1-50K8	61522	99	623
NV-3-256L-35-27K7	30310	116	262
NV-3-256L-35-27K8	27725	106	262
NV-3-256L-35-30K7	32771	125	262
NV-3-256L-35-30K8	29920	114	262
NV-3-256L-35-35K8	30027	115	262
NV-3-256L-35-40K7	35409	135	262
NV-3-256L-35-40K8	30629	117	262
NV-3-256L-35-50K7	35409	135	262
NV-3-256L-35-50K8	31868	122	262
NV-3-256L-53-27K7	40440	102	397
NV-3-256L-53-27K8	36991	93	397
NV-3-256L-53-30K7	43723	110	397
NV-3-256L-53-30K8	39920	101	397

# PRODUCT SPECIFICATIONS

LUMEN CHART PERFORMANCE SILICONE MICRO OPTICS - TYPE 4 FORWARD THROW WIDE			
PART NUMBER	T4FTW	LPW	WATTAGE
NV-3-256L-53-35K8	40062	101	397
NV-3-256L-53-40K7	47243	119	397
NV-3-256L-53-40K8	40865	103	397
NV-3-256L-53-50K7	47243	119	397
NV-3-256L-53-50K8	42519	107	397
NV-3-256L-7-27K7	45751	87	524
NV-3-256L-7-27K8	41850	80	524
NV-3-256L-7-30K7	49466	94	524
NV-3-256L-7-30K8	45163	86	524
NV-3-256L-7-35K8	45324	86	524
NV-3-256L-7-40K7	53448	102	524
NV-3-256L-7-40K8	46232	88	524
NV-3-256L-7-50K7	53448	102	524
NV-3-256L-7-50K8	48103	92	524
NV-3-256L-8-27K7	50982	85	599
NV-3-256L-8-27K8	46634	78	599
NV-3-256L-8-30K7	55121	92	599
NV-3-256L-8-30K8	50327	84	599
NV-3-256L-8-35K8	50505	84	599
NV-3-256L-8-40K7	59558	99	599
NV-3-256L-8-40K8	51518	86	599
NV-3-256L-8-50K7	59558	99	599
NV-3-256L-8-50K8	53602	89	599
NV-3-256L-85-27K7	55469	87	638
NV-3-256L-85-27K8	50738	80	638
NV-3-256L-85-30K7	59972	94	638
NV-3-256L-85-30K8	54756	86	638
NV-3-256L-85-35K8	54950	86	638
NV-3-256L-85-40K7	64800	102	638
NV-3-256L-85-40K8	56052	88	638
NV-3-256L-85-50K7	64800	102	638
NV-3-256L-85-50K8	58320	91	638
NV-3-256L-9-27K7	58722	87	675
NV-3-256L-9-27K8	53714	80	675
NV-3-2562L-9-30K7	63489	94	675
NV-3-256L-9-30K8	57967	86	675
NV-3-256L-9-35K8	58173	86	675
NV-3-256L-9-40K7	68600	102	675
NV-3-256L-9-40K8	59339	88	675
NV-3-256L-9-50K7	68600	102	675
NV-3-256L-9-50K8	61740	91	675
NV-3-256L-97-27K7	63601	87	732
NV-3-256L-97-27K8	58177	79	732
NV-3-256L-97-30K7	68765	94	732
NV-3-256L-97-30K8	62784	86	732
NV-3-256L-97-35K8	63006	86	732
NV-3-256L-97-40K7	74300	102	732
NV-3-256L-97-40K8	64270	88	732
NV-3-256L-97-50K7	74300	102	732
NV-3-256L-97-50K8	66870	91	732
NV-3-256L-1-27K7	67169	85	788
NV-3-256L-1-27K8	61440	78	788
NV-3-256L-1-30K7	72622	92	788
NV-3-256L-1-30K8	66305	84	788
NV-3-256L-1-35K8	66541	84	788
NV-3-256L-1-40K7	78468	100	788
NV-3-256L-1-40K8	67875	86	788
NV-3-256L-1-50K7	78468	100	788
NV-3-256L-1-50K8	70621	90	788



701 Kingshill Place, Carson, CA 90746  
Call Us Today (310) 341-2037

[nlsighting.com](http://nlsighting.com)

# PRODUCT SPECIFICATIONS

LUMEN CHART PERFORMANCE SILICONE MICRO OPTICS - TYPE S WIDE			
PART NUMBER	T5W	LPW	WATTAGE
NV-3-160L-85-27K7	45300	108	420
NV-3-160L-85-27K8	42421	101	420
NV-3-160L-85-30K7	48977	117	420
NV-3-160L-85-30K8	45484	108	420
NV-3-160L-85-35K8	45484	108	420
NV-3-160L-85-40K7	52920	126	420
NV-3-160L-85-40K8	48984	117	420
NV-3-160L-85-50K7	52920	126	420
NV-3-160L-85-50K8	48984	117	420
NV-3-160L-90-27K7	47996	108	445
NV-3-160L-90-27K8	44946	101	445
NV-3-160L-90-30K7	51893	117	445
NV-3-160L-90-30K8	48192	108	445
NV-3-160L-90-35K8	48192	108	445
NV-3-160L-90-40K7	56070	126	445
NV-3-160L-90-40K8	51899	117	445
NV-3-160L-90-50K7	56070	126	445
NV-3-160L-90-50K8	51899	117	445
NV-3-160L-97-27K7	51663	108	479
NV-3-160L-97-27K8	48380	101	479
NV-3-160L-97-30K7	55858	117	479
NV-3-160L-97-30K8	51874	108	479
NV-3-160L-97-35K8	51874	108	479
NV-3-160L-97-40K7	60354	126	479
NV-3-160L-97-40K8	55865	117	479
NV-3-160L-97-50K7	60354	126	479
NV-3-160L-97-50K8	55865	117	479
NV-3-160L-1-27K7	56035	108	518
NV-3-160L-1-27K8	52474	101	518
NV-3-160L-1-30K7	60584	117	518
NV-3-160L-1-30K8	56263	109	518
NV-3-160L-1-35K8	56263	109	518
NV-3-160L-1-40K7	65461	126	518
NV-3-160L-1-40K8	60592	117	518
NV-3-160L-1-50K7	65461	126	518
NV-3-160L-1-50K8	60592	117	518
NV-3-160L-12-27K7	57428	97	592
NV-3-160L-12-27K8	53778	91	592
NV-3-160L-12-30K7	62091	105	592
NV-3-160L-12-30K8	57663	97	592
NV-3-160L-12-35K8	57663	97	592
NV-3-160L-12-40K7	67089	113	592
NV-3-160L-12-40K8	62099	105	592
NV-3-160L-12-50K7	67089	113	592
NV-3-160L-12-50K8	62099	105	592
NV-3-192L-7-27K7	47957	116	415
NV-3-192L-7-27K8	44909	108	415
NV-3-192L-7-30K7	51851	125	415
NV-3-192L-7-30K8	48153	116	415
NV-3-192L-7-35K8	48153	116	415
NV-3-192L-7-40K7	56025	135	415
NV-3-192L-7-40K8	51858	125	415
NV-3-192L-7-50K7	56025	135	415
NV-3-192L-7-50K8	51858	125	415
NV-3-192L-8-27K7	48792	103	475
NV-3-192L-8-27K8	45691	96	475

LUMEN CHART PERFORMANCE SILICONE MICRO OPTICS - TYPE S WIDE			
PART NUMBER	T5W	LPW	WATTAGE
NV-3-192L-8-30K7	52754	111	475
NV-3-192L-8-30K8	48992	103	475
NV-3-192L-8-35K8	48992	103	475
NV-3-192L-8-40K7	57000	120	475
NV-3-192L-8-40K8	52760	111	475
NV-3-192L-8-50K7	57000	120	475
NV-3-192L-8-50K8	52760	111	475
NV-3-192L-85-27K7	53065	105	504
NV-3-192L-85-27K8	49693	99	504
NV-3-192L-85-30K7	57374	114	504
NV-3-192L-85-30K8	53282	106	504
NV-3-192L-85-35K8	53282	106	504
NV-3-192L-85-40K7	61992	123	504
NV-3-192L-85-40K8	57381	114	504
NV-3-192L-85-50K7	61992	123	504
NV-3-192L-85-50K8	57381	114	504
NV-3-192L-9-27K7	59067	105	561
NV-3-192L-9-27K8	55313	99	561
NV-3-192L-9-30K7	63862	114	561
NV-3-192L-9-30K8	59307	106	561
NV-3-192L-9-35K8	59307	106	561
NV-3-192L-9-40K7	69003	123	561
NV-3-192L-9-40K8	63870	114	561
NV-3-192L-9-50K7	69003	123	561
NV-3-192L-9-50K8	63870	114	561
NV-3-192L-97-27K7	64015	105	608
NV-3-192L-97-27K8	59947	99	608
NV-3-192L-97-30K7	69213	114	608
NV-3-192L-97-30K8	64277	106	608
NV-3-192L-97-35K8	64277	106	608
NV-3-192L-97-40K7	74784	123	608
NV-3-192L-97-40K8	69221	114	608
NV-3-192L-97-50K7	74784	123	608
NV-3-192L-97-50K8	69221	114	608
NV-3-192L-1-27K7	65480	105	623
NV-3-192L-1-27K8	61319	98	623
NV-3-192L-1-30K7	70796	114	623
NV-3-192L-1-30K8	65747	106	623
NV-3-192L-1-35K8	65747	106	623
NV-3-192L-1-40K7	76495	123	623
NV-3-192L-1-40K8	70805	114	623
NV-3-192L-1-50K7	76495	123	623
NV-3-192L-1-50K8	70805	114	623
NV-3-256L-35-27K7	32928	122	269
NV-3-256L-35-27K8	30120	112	269
NV-3-256L-35-30K7	35601	132	269
NV-3-256L-35-30K8	32504	121	269
NV-3-256L-35-35K8	32620	121	269
NV-3-256L-35-40K7	38467	143	269
NV-3-256L-35-40K8	33274	124	269
NV-3-256L-35-50K7	38467	143	269
NV-3-256L-35-50K8	34620	129	269
NV-3-256L-53-27K7	50882	125	407
NV-3-256L-53-27K8	46543	114	407
NV-3-256L-53-30K7	55014	135	407
NV-3-256L-53-30K8	50228	123	407



701 Kingshill Place, Carson, CA 90746  
Call Us Today (310) 341-2037

[nlsighting.com](http://nlsighting.com)

# PRODUCT SPECIFICATIONS

LUMEN CHART PERFORMANCE SILICONE MICRO OPTICS - TYPE 5 WIDE			
PART NUMBER	T5W	LPW	WATTAGE
NV-3-256L-53-35K8	50406	124	407
NV-3-256L-53-40K7	59442	146	407
NV-3-256L-53-40K8	51417	126	407
NV-3-256L-53-50K7	59442	146	407
NV-3-256L-53-50K8	53497	131	407
NV-3-256L-7-27K7	62975	117	537
NV-3-256L-7-27K8	57604	107	537
NV-3-256L-7-30K7	68088	127	537
NV-3-256L-7-30K8	62166	116	537
NV-3-256L-7-35K8	62386	116	537
NV-3-256L-7-40K7	73569	137	537
NV-3-256L-7-40K8	63637	119	537
NV-3-256L-7-50K7	73569	137	537
NV-3-256L-7-50K8	66212	123	537
NV-3-256L-8-27K7	63942	104	614
NV-3-256L-8-27K8	58489	95	614
NV-3-256L-8-30K7	69134	113	614
NV-3-256L-8-30K8	63120	103	614
NV-3-256L-8-35K8	63344	103	614
NV-3-256L-8-40K7	74699	122	614
NV-3-256L-8-40K8	64614	105	614
NV-3-256L-8-50K7	74699	122	614
NV-3-256L-8-50K8	67229	109	614
NV-3-256L-85-27K7	69336	107	648
NV-3-256L-85-27K8	63423	98	648
NV-3-256L-85-30K7	74966	116	648
NV-3-256L-85-30K8	68445	106	648
NV-3-256L-85-35K8	68688	106	648
NV-3-256L-85-40K7	81000	125	648
NV-3-256L-85-40K8	70065	108	648
NV-3-256L-85-50K7	81000	125	648
NV-3-256L-85-50K8	72900	113	648
NV-3-256L-9-27K7	73016	106	686
NV-3-256L-9-27K8	66789	97	686
NV-3-256L-9-30K7	78945	115	686
NV-3-256L-9-30K8	72078	105	686
NV-3-256L-9-35K8	72334	105	686
NV-3-256L-9-40K7	85299	124	686
NV-3-256L-9-40K8	73784	108	686
NV-3-256L-9-50K7	85299	124	686
NV-3-256L-9-50K8	76769	112	686
NV-3-256L-97-27K7	79501	107	743
NV-3-256L-97-27K8	72721	98	743
NV-3-256L-97-30K7	85956	116	743
NV-3-256L-97-30K8	78479	106	743
NV-3-256L-97-35K8	78758	106	743
NV-3-256L-97-40K7	92875	125	743
NV-3-256L-97-40K8	80337	108	743
NV-3-256L-97-50K7	92875	125	743
NV-3-256L-97-50K8	89564	121	743
NV-3-256L-1-27K7	85186	107	799
NV-3-256L-1-27K8	77921	98	799
NV-3-256L-1-30K7	92102	115	799
NV-3-256L-1-30K8	84091	105	799
NV-3-256L-1-35K8	84390	106	799
NV-3-256L-1-40K7	99516	125	799
NV-3-256L-1-40K8	86081	108	799
NV-3-256L-1-50K7	99516	125	799
NV-3-256L-1-50K8	89564	112	799

# PRODUCT SPECIFICATIONS

LUMEN CHART T4AF SILICONE MICRO OPTICS			
PART NUMBER	T4AF	LM/W	WATTAGE
NV-3-256L-35-27K7	27290	104	262
NV-3-256L-35-30K7	31676	121	262
NV-3-256L-35-40K7	32488	124	262
NV-3-256L-35-50K7	32488	124	262
NV-3-256L-53-27K7	41197	102	402
NV-3-256L-53-30K7	47818	119	402
NV-3-256L-53-40K7	49044	122	402
NV-3-256L-53-50K7	49044	122	402
NV-3-256L-7-27K7	53079	100	531
NV-3-256L-7-30K7	61609	116	531
NV-3-256L-7-40K7	63189	119	531
NV-3-256L-7-50K7	63189	119	531
NV-3-256L-8-27K7	59656	98	607
NV-3-256L-8-30K7	69244	114	607
NV-3-256L-8-40K7	71019	117	607
NV-3-256L-8-50K7	71019	117	607
NV-3-256L-85-27K7	63517	98	646
NV-3-256L-85-30K7	73726	114	646
NV-3-256L-85-40K7	75616	117	646
NV-3-256L-85-50K7	75616	117	646
NV-3-256L-9-27K7	67125	98	683
NV-3-256L-9-30K7	77913	114	683
NV-3-256L-9-40K7	79911	117	683
NV-3-256L-9-50K7	79911	117	683
NV-3-256L-97-27K7	71716	97	736
NV-3-256L-97-30K7	83242	113	736
NV-3-256L-97-40K7	85376	116	736
NV-3-256L-97-50K7	85376	116	736
NV-3-256L-1-27K7	78329	98	797
NV-3-256L-1-30K7	90918	114	797
NV-3-256L-1-40K7	93249	117	797
NV-3-256L-1-50K7	93249	117	797

# PRODUCT SPECIFICATIONS

## HSS LUMEN CHARTS

LUMEN CHART PERFORMANCE T4FTW SILICONE MICRO OPTICS W/HSS			
PART NUMBER	T4FTW HSS	LPW	WATTAGE
NV-3-160L-85-27K7-HSS	24447	58	420
NV-3-160L-85-27K8-HSS	22893	55	420
NV-3-160L-85-30K7-HSS	26432	63	420
NV-3-160L-85-30K8-HSS	24547	58	420
NV-3-160L-85-35K8-HSS	24547	58	420
NV-3-160L-85-40K7-HSS	28560	68	420
NV-3-160L-85-40K8-HSS	26436	63	420
NV-3-160L-85-50K7-HSS	28560	68	420
NV-3-160L-85-50K8-HSS	26436	63	420
NV-3-160L-90-27K7-HSS	25903	58	445
NV-3-160L-90-27K8-HSS	24257	55	445
NV-3-160L-90-30K7-HSS	28006	63	445
NV-3-160L-90-30K8-HSS	26009	58	445
NV-3-160L-90-35K8-HSS	26009	58	445
NV-3-160L-90-40K7-HSS	30260	68	445
NV-3-160L-90-40K8-HSS	28009	63	445
NV-3-160L-90-50K7-HSS	30260	68	445
NV-3-160L-90-50K8-HSS	28009	63	445
NV-3-160L-97-27K7-HSS	27882	58	479
NV-3-160L-97-27K8-HSS	26110	55	479
NV-3-160L-97-30K7-HSS	30145	63	479
NV-3-160L-97-30K8-HSS	27995	58	479
NV-3-160L-97-35K8-HSS	27995	58	479
NV-3-160L-97-40K7-HSS	32572	68	479
NV-3-160L-97-40K8-HSS	30149	63	479
NV-3-160L-97-50K7-HSS	32572	68	479
NV-3-160L-97-50K8-HSS	30149	63	479
NV-3-160L-1-27K7-HSS	30152	58	518
NV-3-160L-1-27K8-HSS	28236	55	518
NV-3-160L-1-30K7-HSS	32600	63	518
NV-3-160L-1-30K8-HSS	30275	58	518
NV-3-160L-1-35K8-HSS	30275	58	518
NV-3-160L-1-40K7-HSS	35224	68	518
NV-3-160L-1-40K8-HSS	32604	63	518
NV-3-160L-1-50K7-HSS	35224	68	518
NV-3-160L-1-50K8-HSS	32604	63	518
NV-3-160L-12-27K7-HSS	33446	56	592
NV-3-160L-12-27K8-HSS	31320	53	592
NV-3-160L-12-30K7-HSS	36161	61	592
NV-3-160L-12-30K8-HSS	33582	57	592
NV-3-160L-12-35K8-HSS	33582	57	592
NV-3-160L-12-40K7-HSS	39072	66	592
NV-3-160L-12-40K8-HSS	36166	61	592
NV-3-160L-12-50K7-HSS	39072	66	592
NV-3-160L-12-50K8-HSS	36166	61	592

LUMEN CHART PERFORMANCE T4FTW HSS SILICONE MICRO OPTICS W/HSS			
PART NUMBER	T4FTW HSS	LPW	WATTAGE
NV-3-192L-7-27K7-HSS	26643	64	415
NV-3-192L-7-27K8-HSS	24950	60	415
NV-3-192L-7-30K7-HSS	28806	69	415
NV-3-192L-7-30K8-HSS	26752	64	415
NV-3-192L-7-35K8-HSS	26752	64	415
NV-3-192L-7-40K7-HSS	31125	75	415
NV-3-192L-7-40K8-HSS	28810	69	415
NV-3-192L-7-50K7-HSS	31125	75	415
NV-3-192L-7-50K8-HSS	28810	69	415
NV-3-192L-8-27K7-HSS	30495	64	475
NV-3-192L-8-27K8-HSS	28557	60	475
NV-3-192L-8-30K7-HSS	32971	69	475
NV-3-192L-8-30K8-HSS	30619	64	475
NV-3-192L-8-35K8-HSS	30619	64	475
NV-3-192L-8-40K7-HSS	35625	75	475
NV-3-192L-8-40K8-HSS	32975	69	475
NV-3-192L-8-50K7-HSS	35625	75	475
NV-3-192L-8-50K8-HSS	32975	69	475
NV-3-192L-85-27K7-HSS	33651	67	504
NV-3-192L-85-27K8-HSS	31512	63	504
NV-3-192L-85-30K7-HSS	36383	72	504
NV-3-192L-85-30K8-HSS	33788	67	504
NV-3-192L-85-35K8-HSS	33788	67	504
NV-3-192L-85-40K7-HSS	39312	78	504
NV-3-192L-85-40K8-HSS	36388	72	504
NV-3-192L-85-50K7-HSS	39312	78	504
NV-3-192L-85-50K8-HSS	36388	72	504
NV-3-192L-9-27K7-HSS	37457	67	561
NV-3-192L-9-27K8-HSS	35077	63	561
NV-3-192L-9-30K7-HSS	40498	72	561
NV-3-192L-9-30K8-HSS	37610	67	561
NV-3-192L-9-35K8-HSS	37610	67	561
NV-3-192L-9-40K7-HSS	43758	78	561
NV-3-192L-9-40K8-HSS	40503	72	561
NV-3-192L-9-50K7-HSS	43758	78	561
NV-3-192L-9-50K8-HSS	40503	72	561
NV-3-192L-97-27K7-HSS	40595	67	608
NV-3-192L-97-27K8-HSS	38015	63	608
NV-3-192L-97-30K7-HSS	43891	72	608
NV-3-192L-97-30K8-HSS	40761	67	608
NV-3-192L-97-35K8-HSS	40761	67	608
NV-3-192L-97-40K7-HSS	47424	78	608
NV-3-192L-97-40K8-HSS	43896	72	608
NV-3-192L-97-50K7-HSS	47424	78	608
NV-3-192L-97-50K8-HSS	43896	72	608
NV-3-192L-1-27K7-HSS	41596	67	623
NV-3-192L-1-27K8-HSS	38952	63	623
NV-3-192L-1-30K7-HSS	44974	72	623
NV-3-192L-1-30K8-HSS	41766	67	623
NV-3-192L-1-35K8-HSS	41766	67	623
NV-3-192L-1-40K7-HSS	48594	78	623
NV-3-192L-1-40K8-HSS	44979	72	623
NV-3-192L-1-50K7-HSS	48594	78	623
NV-3-192L-1-50K8-HSS	44979	72	623



701 Kingshill Place, Carson, CA 90746  
Call Us Today (310) 341-2037

[nlsighting.com](http://nlsighting.com)

# PRODUCT SPECIFICATIONS

LUMEN CHART PERFORMANCE T4FTW SILICONE MICRO OPTICS W/HSS			
PART NUMBER	T4FTW HSS	LPW	WATTAGE
NV-3-256L-35-27K7-HSS	23100	88	262
NV-3-256L-35-27K8-HSS	21632	83	262
NV-3-256L-35-30K7-HSS	24976	95	262
NV-3-256L-35-30K8-HSS	23195	89	262
NV-3-256L-35-35K8-HSS	23195	89	262
NV-3-256L-35-40K7-HSS	26986	103	262
NV-3-256L-35-40K8-HSS	24979	95	262
NV-3-256L-35-50K7-HSS	26986	103	262
NV-3-256L-35-50K8-HSS	24979	95	262
NV-3-256L-53-27K7-HSS	29565	74	397
NV-3-256L-53-27K8-HSS	27686	70	397
NV-3-256L-53-30K7-HSS	31966	81	397
NV-3-256L-53-30K8-HSS	29686	75	397
NV-3-256L-53-35K8-HSS	29686	75	397
NV-3-256L-53-40K7-HSS	34539	87	397
NV-3-256L-53-40K8-HSS	31970	81	397
NV-3-256L-53-50K7-HSS	34539	87	397
NV-3-256L-53-50K8-HSS	31970	81	397
NV-3-256L-7-27K7-HSS	31398	60	524
NV-3-256L-7-27K8-HSS	29403	56	524
NV-3-256L-7-30K7-HSS	33947	65	524
NV-3-256L-7-30K8-HSS	31526	60	524
NV-3-256L-7-35K8-HSS	31526	60	524
NV-3-256L-7-40K7-HSS	36680	70	524
NV-3-256L-7-40K8-HSS	33952	65	524
NV-3-256L-7-50K7-HSS	36680	70	524
NV-3-256L-7-50K8-HSS	33952	65	524
NV-3-256L-8-27K7-HSS	33841	56	599
NV-3-256L-8-27K8-HSS	31690	53	599
NV-3-256L-8-30K7-HSS	36589	61	599
NV-3-256L-8-30K8-HSS	33979	57	599
NV-3-256L-8-35K8-HSS	33979	57	599
NV-3-256L-8-40K7-HSS	39534	66	599
NV-3-256L-8-40K8-HSS	36593	61	599
NV-3-256L-8-50K7-HSS	39534	66	599
NV-3-256L-8-50K8-HSS	36593	61	599

LUMEN CHART PERFORMANCE T4FTW SILICONE MICRO OPTICS W/HSS			
PART NUMBER	T4FTW HSS	LPW	WATTAGE
NV-3-256L-85-27K7-HSS	37137	58	638
NV-3-256L-85-27K8-HSS	34777	55	638
NV-3-256L-85-30K7-HSS	40152	63	638
NV-3-256L-85-30K8-HSS	37288	58	638
NV-3-256L-85-35K8-HSS	37288	58	638
NV-3-256L-85-40K7-HSS	43384	68	638
NV-3-256L-85-40K8-HSS	40157	63	638
NV-3-256L-85-50K7-HSS	43384	68	638
NV-3-256L-85-50K8-HSS	40157	63	638
NV-3-256L-9-27K7-HSS	39290	58	675
NV-3-256L-9-27K8-HSS	36793	55	675
NV-3-256L-9-30K7-HSS	42480	63	675
NV-3-256L-9-30K8-HSS	39450	58	675
NV-3-256L-9-35K8-HSS	39450	58	675
NV-3-256L-9-40K7-HSS	45900	68	675
NV-3-256L-9-40K8-HSS	42486	63	675
NV-3-256L-9-50K7-HSS	45900	68	675
NV-3-256L-9-50K8-HSS	42486	63	675
NV-3-256L-97-27K7-HSS	42608	58	732
NV-3-256L-97-27K8-HSS	39900	55	732
NV-3-256L-97-30K7-HSS	46068	63	732
NV-3-256L-97-30K8-HSS	42782	58	732
NV-3-256L-97-35K8-HSS	42782	58	732
NV-3-256L-97-40K7-HSS	49776	68	732
NV-3-256L-97-40K8-HSS	46073	63	732
NV-3-256L-97-50K7-HSS	49776	68	732
NV-3-256L-97-50K8-HSS	46073	63	732
NV-3-256L-1-27K7-HSS	45867	58	788
NV-3-256L-1-27K8-HSS	42952	55	788
NV-3-256L-1-30K7-HSS	49591	63	788
NV-3-256L-1-30K8-HSS	46054	58	788
NV-3-256L-1-35K8-HSS	46054	58	788
NV-3-256L-1-40K7-HSS	53583	68	788
NV-3-256L-1-40K8-HSS	49597	63	788
NV-3-256L-1-50K7-HSS	53583	68	788
NV-3-256L-1-50K8-HSS	49597	63	788

# PRODUCT SPECIFICATIONS

## BUG RATINGS CHARTS

BUG RATING CHART STANDARD SILICONE MICRO OPTICS		
PART NUMBER	T2	T3
NV-3-160L-85-27K7	B4-U0-B4	B4-U0-B4
NV-3-160L-85-30K7	B4-U0-B5	B4-U0-B5
NV-3-160L-85-40K7	B4-U0-B5	B4-U0-B5
NV-3-160L-85-50K7	B4-U0-B5	B4-U0-B5
NV-3-160L-90-27K7	B4-U0-B4	B4-U0-B5
NV-3-160L-90-30K7	B4-U0-B5	B4-U0-B5
NV-3-160L-90-40K7	B4-U0-B5	B4-U0-B5
NV-3-160L-90-50K7	B4-U0-B5	B4-U0-B5
NV-3-160L-97-27K7	B4-U0-B5	B4-U0-B5
NV-3-160L-97-30K7	B4-U0-B5	B5-U0-B5
NV-3-160L-97-40K7	B4-U0-B5	B5-U0-B5
NV-3-160L-97-50K7	B4-U0-B5	B5-U0-B5
NV-3-160L-1-27K7	B4-U0-B5	B4-U0-B5
NV-3-160L-1-30K7	B4-U0-B5	B5-U0-B5
NV-3-160L-1-40K7	B4-U0-B5	B5-U0-B5
NV-3-160L-1-50K7	B4-U0-B5	B5-U0-B5
NV-3-160L-12-27K7	B4-U0-B5	B5-U0-B5
NV-3-160L-12-30K7	B5-U0-B5	B5-U0-B5
NV-3-160L-12-40K7	B5-U0-B5	B5-U0-B5
NV-3-160L-12-50K7	B5-U0-B5	B5-U0-B5
NV-3-192L-7-27K7	B4-U0-B4	B4-U0-B4
NV-3-192L-7-30K7	B4-U0-B5	B4-U0-B5
NV-3-192L-7-40K7	B4-U0-B5	B4-U0-B5
NV-3-192L-7-50K7	B4-U0-B5	B4-U0-B5
NV-3-192L-8-27K7	B4-U0-B5	B4-U0-B5
NV-3-192L-8-30K7	B4-U0-B5	B5-U0-B5
NV-3-192L-8-40K7	B4-U0-B5	B5-U0-B5
NV-3-192L-8-50K7	B4-U0-B5	B5-U0-B5
NV-3-192L-85-27K7	B4-U0-B5	B4-U0-B5
NV-3-192L-85-30K7	B4-U0-B5	B5-U0-B5
NV-3-192L-85-40K7	B4-U0-B5	B5-U0-B5
NV-3-192L-85-50K7	B4-U0-B5	B5-U0-B5
NV-3-192L-9-27K7	B4-U0-B5	B5-U0-B5
NV-3-192L-9-30K7	B4-U0-B5	B5-U0-B5
NV-3-192L-9-40K7	B5-U0-B5	B5-U0-B5
NV-3-192L-9-50K7	B5-U0-B5	B5-U0-B5
NV-3-192L-97-27K7	B4-U0-B5	B5-U0-B5
NV-3-192L-97-30K7	B5-U0-B5	B5-U0-B5
NV-3-192L-97-40K7	B5-U0-B5	B5-U0-B5
NV-3-192L-97-50K7	B5-U0-B5	B5-U0-B5
NV-3-192L-1-27K7	B4-U0-B5	B5-U0-B5
NV-3-192L-1-30K7	B5-U0-B5	B5-U0-B5
NV-3-192L-1-40K7	B5-U0-B5	B5-U0-B5
NV-3-192L-1-50K7	B5-U0-B5	B5-U0-B5
NV-3-256L-35-27K7	B3-U0-B4	B4-U0-B4
NV-3-256L-35-30K7	B4-U0-B4	B4-U0-B4
NV-3-256L-35-40K7	B4-U0-B4	B4-U0-B4
NV-3-256L-35-50K7	B4-U0-B4	B4-U0-B4
NV-3-256L-53-27K7	B4-U0-B4	B4-U0-B5
NV-3-256L-53-30K7	B4-U0-B5	B4-U0-B5
NV-3-256L-53-40K7	B4-U0-B5	B5-U0-B5
NV-3-256L-53-50K7	B4-U0-B5	B5-U0-B5
NV-3-256L-7-27K7	B4-U0-B5	B4-U0-B5
NV-3-256L-7-30K7	B4-U0-B5	B5-U0-B5
NV-3-256L-7-40K7	B5-U0-B5	B5-U0-B5
NV-3-256L-7-50K7	B5-U0-B5	B5-U0-B5
NV-3-256L-8-27K7	B4-U0-B5	B5-U0-B5
NV-3-256L-8-30K7	B5-U0-B5	B5-U0-B5

BUG RATING CHART STANDARD SILICONE MICRO OPTICS		
PART NUMBER	T2	T3
NV-3-256L-8-40K7	B5-U0-B5	B5-U0-B5
NV-3-256L-8-50K7	B5-U0-B5	B5-U0-B5
NV-3-256L-85-27K7	B5-U0-B5	B5-U0-B5
NV-3-256L-85-30K7	B5-U0-B5	B5-U0-B5
NV-3-256L-85-40K7	B5-U0-B5	B5-U0-B5
NV-3-256L-85-50K7	B5-U0-B5	B5-U0-B5
NV-3-256L-9-27K7	B5-U0-B5	B5-U0-B5
NV-3-256L-9-30K7	B5-U0-B5	B5-U0-B5
NV-3-256L-9-40K7	B5-U0-B5	B5-U0-B5
NV-3-256L-9-50K7	B5-U0-B5	B5-U0-B5
NV-3-256L-97-27K7	B5-U0-B5	B5-U0-B5
NV-3-256L-97-30K7	B5-U0-B5	B5-U0-B5
NV-3-256L-97-40K7	B5-U0-B5	B5-U0-B5
NV-3-256L-97-50K7	B5-U0-B5	B5-U0-B5
NV-3-256L-1-27K7	B5-U0-B5	B5-U0-B5
NV-3-256L-1-30K7	B5-U0-B5	B5-U0-B5
NV-3-256L-1-40K7	B5-U0-B5	B5-U0-B5
NV-3-256L-1-50K7	B5-U0-B5	B5-U0-B5



701 Kingshill Place, Carson, CA 90746  
 Call Us Today (310) 341-2037

[nlsighting.com](http://nlsighting.com)



# PRODUCT SPECIFICATIONS

LUMEN CHART PERFORMANCE SILICONE MICRO OPTICS			
PART NUMBER	T3M	T4FTW	T5W
NV-3-256L-7-27K8	B4-U0-G5	B4-U0-G5	B5-U0-G5
NV-3-256L-7-30K7	B4-U0-G5	B4-U0-G5	B5-U0-G5
NV-3-256L-7-30K8	B4-U0-G5	B4-U0-G5	B5-U0-G5
NV-3-256L-7-35K8	B4-U0-G5	B4-U0-G5	B5-U0-G5
NV-3-256L-7-40K7	B4-U0-G5	B4-U0-G5	B5-U0-G5
NV-3-256L-7-40K8	B4-U0-G5	B4-U0-G5	B5-U0-G5
NV-3-256L-7-50K7	B4-U0-G5	B4-U0-G5	B5-U0-G5
NV-3-256L-7-50K8	B4-U0-G5	B4-U0-G5	B5-U0-G5
NV-3-256L-8-27K7	B4-U0-G5	B4-U0-G5	B5-U0-G5
NV-3-256L-8-27K8	B4-U0-G5	B4-U0-G5	B5-U0-G5
NV-3-256L-8-30K7	B4-U0-G5	B4-U0-G5	B5-U0-G5
NV-3-256L-8-30K8	B4-U0-G5	B4-U0-G5	B5-U0-G5
NV-3-256L-8-35K8	B4-U0-G5	B4-U0-G5	B5-U0-G5
NV-3-256L-8-40K7	B4-U0-G5	B4-U0-G5	B5-U0-G5
NV-3-256L-8-40K8	B4-U0-G5	B4-U0-G5	B5-U0-G5
NV-3-256L-8-50K7	B4-U0-G5	B4-U0-G5	B5-U0-G5
NV-3-256L-8-50K8	B4-U0-G5	B4-U0-G5	B5-U0-G5
NV-3-256L-85-27K7	B4-U0-G5	B4-U0-G5	B5-U0-G5
NV-3-256L-85-27K8	B4-U0-G5	B4-U0-G5	B5-U0-G5
NV-3-256L-85-30K7	B4-U0-G5	B4-U0-G5	B5-U0-G5
NV-3-256L-85-30K8	B4-U0-G5	B4-U0-G5	B5-U0-G5
NV-3-256L-85-35K8	B4-U0-G5	B4-U0-G5	B5-U0-G5
NV-3-256L-85-40K7	B5-U0-G5	B4-U0-G5	B5-U0-G5
NV-3-256L-85-40K8	B4-U0-G5	B4-U0-G5	B5-U0-G5
NV-3-256L-85-50K7	B5-U0-G5	B4-U0-G5	B5-U0-G5
NV-3-256L-85-50K8	B4-U0-G5	B4-U0-G5	B5-U0-G5
NV-3-256L-9-27K7	B4-U0-G5	B4-U0-G5	B5-U0-G5
NV-3-256L-9-27K8	B4-U0-G5	B4-U0-G5	B5-U0-G5
NV-3-256L-9-30K7	B5-U0-G5	B4-U0-G5	B5-U0-G5
NV-3-256L-9-30K8	B4-U0-G5	B4-U0-G5	B5-U0-G5
NV-3-256L-9-35K8	B4-U0-G5	B4-U0-G5	B5-U0-G5
NV-3-256L-9-40K7	B5-U0-G5	B4-U0-G5	B5-U0-G5
NV-3-256L-9-40K8	B4-U0-G5	B4-U0-G5	B5-U0-G5
NV-3-256L-9-50K7	B5-U0-G5	B4-U0-G5	B5-U0-G5
NV-3-256L-9-50K8	B4-U0-G5	B4-U0-G5	B5-U0-G5
NV-3-256L-97-27K7	B4-U0-G5	B4-U0-G5	B5-U0-G5
NV-3-256L-97-27K8	B4-U0-G5	B4-U0-G5	B5-U0-G5
NV-3-256L-97-30K7	B5-U0-G5	B4-U0-G5	B5-U0-G5
NV-3-256L-97-30K8	B4-U0-G5	B4-U0-G5	B5-U0-G5
NV-3-256L-97-35K8	B4-U0-G5	B4-U0-G5	B5-U0-G5
NV-3-256L-97-40K7	B5-U0-G5	B4-U0-G5	B5-U0-G5
NV-3-256L-97-40K8	B5-U0-G5	B4-U0-G5	B5-U0-G5
NV-3-256L-97-50K7	B5-U0-G5	B4-U0-G5	B5-U0-G5
NV-3-256L-97-50K8	B5-U0-G5	B4-U0-G5	B5-U0-G5
NV-3-256L-1-27K7	B5-U0-G5	B5-U0-G5	B5-U0-G5
NV-3-256L-1-27K8	B4-U0-G5	B5-U0-G5	B5-U0-G5
NV-3-256L-1-30K7	B5-U0-G5	B5-U0-G5	B5-U0-G5
NV-3-256L-1-30K8	B5-U0-G5	B5-U0-G5	B5-U0-G5
NV-3-256L-1-35K8	B5-U0-G5	B5-U0-G5	B5-U0-G5
NV-3-256L-1-40K7	B5-U0-G5	B5-U0-G5	B5-U0-G5
NV-3-256L-1-40K8	B5-U0-G5	B5-U0-G5	B5-U0-G5
NV-3-256L-1-50K7	B5-U0-G5	B5-U0-G5	B5-U0-G5
NV-3-256L-1-50K8	B5-U0-G5	B5-U0-G5	B5-U0-G5

# PRODUCT SPECIFICATIONS

BUG RATING CHART T4AF SILICONE MICRO OPTICS	
PART NUMBER	T4AF
NV-3-256L-35-27K7	B3-U0-B4
NV-3-256L-35-30K7	B4-U0-B4
NV-3-256L-35-40K7	B4-U0-B4
NV-3-256L-35-50K7	B4-U0-B4
NV-3-256L-53-27K7	B4-U0-B4
NV-3-256L-53-30K7	B4-U0-B5
NV-3-256L-53-40K7	B4-U0-B5
NV-3-256L-53-50K7	B4-U0-B5
NV-3-256L-7-27K7	B4-U0-B5
NV-3-256L-7-30K7	B4-U0-B5
NV-3-256L-7-40K7	B5-U0-B5
NV-3-256L-7-50K7	B5-U0-B5
NV-3-256L-8-27K7	B4-U0-B5
NV-3-256L-8-30K7	B5-U0-B5
NV-3-256L-8-40K7	B5-U0-B5
NV-3-256L-8-50K7	B5-U0-B5
NV-3-256L-85-27K7	B5-U0-B5
NV-3-256L-85-30K7	B5-U0-B5
NV-3-256L-85-40K7	B5-U0-B5
NV-3-256L-85-50K7	B5-U0-B5
NV-3-256L-9-27K7	B5-U0-B5
NV-3-256L-9-30K7	B5-U0-B5
NV-3-256L-9-40K7	B5-U0-B5
NV-3-256L-9-50K7	B5-U0-B5
NV-3-256L-97-27K7	B5-U0-B5
NV-3-256L-97-30K7	B5-U0-B5
NV-3-256L-97-40K7	B5-U0-B5
NV-3-256L-97-50K7	B5-U0-B5
NV-3-256L-1-27K7	B5-U0-B5
NV-3-256L-1-30K7	B5-U0-B5
NV-3-256L-1-40K7	B5-U0-B5
NV-3-256L-1-50K7	B5-U0-B5

# PRODUCT SPECIFICATIONS

## HSS BUG RATING CHARTS

BUG RATING CHART PERFORMANCE T4FTW SILICONE MICRO OPTICS W/HSS	
PART NUMBER	T4FTW HSS
NV-3-160L-85-27K7-HSS	B2-U0-G4
NV-3-160L-85-27K8-HSS	B2-U0-G4
NV-3-160L-85-30K7-HSS	B2-U0-G5
NV-3-160L-85-30K8-HSS	B2-U0-G5
NV-3-160L-85-35K8-HSS	B2-U0-G5
NV-3-160L-85-40K7-HSS	B2-U0-G5
NV-3-160L-85-40K8-HSS	B2-U0-G5
NV-3-160L-85-50K7-HSS	B2-U0-G5
NV-3-160L-85-50K8-HSS	B2-U0-G5
NV-3-160L-90-27K7-HSS	B2-U0-G5
NV-3-160L-90-27K8-HSS	B2-U0-G5
NV-3-160L-90-30K7-HSS	B2-U0-G5
NV-3-160L-90-30K8-HSS	B3-U0-G5
NV-3-160L-90-35K8-HSS	B3-U0-G5
NV-3-160L-90-40K7-HSS	B3-U0-G5
NV-3-160L-90-40K8-HSS	B3-U0-G5
NV-3-160L-90-50K7-HSS	B3-U0-G5
NV-3-160L-90-50K8-HSS	B3-U0-G5
NV-3-160L-97-27K7-HSS	B3-U0-G5
NV-3-160L-97-27K8-HSS	B3-U0-G5
NV-3-160L-97-30K7-HSS	B3-U0-G5
NV-3-160L-97-30K8-HSS	B3-U0-G5
NV-3-160L-97-35K8-HSS	B3-U0-G5
NV-3-160L-97-40K7-HSS	B3-U0-G5
NV-3-160L-97-40K8-HSS	B3-U0-G5
NV-3-160L-97-50K7-HSS	B3-U0-G5
NV-3-160L-97-50K8-HSS	B3-U0-G5

BUG RATING CHART PERFORMANCE T4FTW SILICONE MICRO OPTICS W/HSS	
PART NUMBER	T4FTW HSS
NV-3-160L-1-27K7-HSS	B3-U0-G5
NV-3-160L-1-27K8-HSS	B3-U0-G5
NV-3-160L-1-30K7-HSS	B3-U0-G5
NV-3-160L-1-30K8-HSS	B3-U0-G5
NV-3-160L-1-35K8-HSS	B3-U0-G5
NV-3-160L-1-40K7-HSS	B3-U0-G5
NV-3-160L-1-40K8-HSS	B3-U0-G5
NV-3-160L-1-50K7-HSS	B3-U0-G5
NV-3-160L-1-50K8-HSS	B3-U0-G5
NV-3-160L-12-27K7-HSS	B3-U0-G5
NV-3-160L-12-27K8-HSS	B3-U0-G5
NV-3-160L-12-30K7-HSS	B3-U0-G5
NV-3-160L-12-30K8-HSS	B3-U0-G5
NV-3-160L-12-35K8-HSS	B3-U0-G5
NV-3-160L-12-40K7-HSS	B3-U0-G5
NV-3-160L-12-40K8-HSS	B3-U0-G5
NV-3-160L-12-50K7-HSS	B3-U0-G5
NV-3-160L-12-50K8-HSS	B3-U0-G5
NV-3-192L-7-27K7-HSS	B3-U0-G5
NV-3-192L-7-27K8-HSS	B3-U0-G5
NV-3-192L-7-30K7-HSS	B3-U0-G5
NV-3-192L-7-30K8-HSS	B3-U0-G5
NV-3-192L-7-35K8-HSS	B3-U0-G5
NV-3-192L-7-40K7-HSS	B3-U0-G5
NV-3-192L-7-40K8-HSS	B3-U0-G5
NV-3-192L-7-50K7-HSS	B3-U0-G5
NV-3-192L-7-50K8-HSS	B3-U0-G5
NV-3-192L-8-27K7-HSS	B3-U0-G5
NV-3-192L-8-27K8-HSS	B3-U0-G5
NV-3-192L-8-30K7-HSS	B3-U0-G5
NV-3-192L-8-30K8-HSS	B3-U0-G5
NV-3-192L-8-35K8-HSS	B3-U0-G5
NV-3-192L-8-40K7-HSS	B3-U0-G5
NV-3-192L-8-40K8-HSS	B3-U0-G5
NV-3-192L-8-50K7-HSS	B3-U0-G5
NV-3-192L-8-50K8-HSS	B3-U0-G5

BUG RATING CHART PERFORMANCE T4FTW SILICONE MICRO OPTICS W/HSS	
PART NUMBER	T4FTW HSS
NV-3-192L-85-27K7-HSS	B3-U0-G5
NV-3-192L-85-27K8-HSS	B3-U0-G5
NV-3-192L-85-30K7-HSS	B3-U0-G5
NV-3-192L-85-30K8-HSS	B3-U0-G5
NV-3-192L-85-35K8-HSS	B3-U0-G5
NV-3-192L-85-40K7-HSS	B3-U0-G5
NV-3-192L-85-40K8-HSS	B3-U0-G5
NV-3-192L-85-50K7-HSS	B3-U0-G5
NV-3-192L-85-50K8-HSS	B3-U0-G5
NV-3-192L-9-27K7-HSS	B3-U0-G5
NV-3-192L-9-27K8-HSS	B3-U0-G5
NV-3-192L-9-30K7-HSS	B3-U0-G5
NV-3-192L-9-30K8-HSS	B3-U0-G5
NV-3-192L-9-35K8-HSS	B3-U0-G5
NV-3-192L-9-40K7-HSS	B3-U0-G5
NV-3-192L-9-40K8-HSS	B3-U0-G5
NV-3-192L-9-50K7-HSS	B3-U0-G5
NV-3-192L-9-50K8-HSS	B3-U0-G5
NV-3-192L-97-27K7-HSS	B3-U0-G5
NV-3-192L-97-27K8-HSS	B3-U0-G5
NV-3-192L-97-30K7-HSS	B3-U0-G5
NV-3-192L-97-30K8-HSS	B3-U0-G5
NV-3-192L-97-35K8-HSS	B3-U0-G5
NV-3-192L-97-40K7-HSS	B3-U0-G5
NV-3-192L-97-40K8-HSS	B3-U0-G5
NV-3-192L-97-50K7-HSS	B3-U0-G5
NV-3-192L-97-50K8-HSS	B3-U0-G5
NV-3-192L-1-27K7-HSS	B3-U0-G5
NV-3-192L-1-27K8-HSS	B3-U0-G5
NV-3-192L-1-30K7-HSS	B3-U0-G5
NV-3-192L-1-30K8-HSS	B3-U0-G5
NV-3-192L-1-35K8-HSS	B3-U0-G5
NV-3-192L-1-40K7-HSS	B3-U0-G5
NV-3-192L-1-40K8-HSS	B3-U0-G5
NV-3-192L-1-50K7-HSS	B3-U0-G5
NV-3-192L-1-50K8-HSS	B3-U0-G5

# PRODUCT SPECIFICATIONS

BUG RATING CHART PERFORMANCE T4FTW SILICONE MICRO OPTICS W/HSS	
PART NUMBER	T4FTW HSS
NV-3-256L-35-27K7-HSS	B2-U0-G4
NV-3-256L-35-27K8-HSS	B2-U0-G4
NV-3-256L-35-30K7-HSS	B2-U0-G5
NV-3-256L-35-30K8-HSS	B2-U0-G5
NV-3-256L-35-35K8-HSS	B2-U0-G5
NV-3-256L-35-40K7-HSS	B2-U0-G5
NV-3-256L-35-40K8-HSS	B2-U0-G5
NV-3-256L-35-50K7-HSS	B2-U0-G5
NV-3-256L-35-50K8-HSS	B2-U0-G5
NV-3-256L-53-27K7-HSS	B2-U0-G5
NV-3-256L-53-27K8-HSS	B2-U0-G5
NV-3-256L-53-30K7-HSS	B2-U0-G5
NV-3-256L-53-30K8-HSS	B2-U0-G5
NV-3-256L-53-35K8-HSS	B2-U0-G5
NV-3-256L-53-40K7-HSS	B2-U0-G5
NV-3-256L-53-40K8-HSS	B2-U0-G5
NV-3-256L-53-50K7-HSS	B2-U0-G5
NV-3-256L-53-50K8-HSS	B2-U0-G5
NV-3-256L-7-27K7-HSS	B2-U0-G5
NV-3-256L-7-27K8-HSS	B2-U0-G5
NV-3-256L-7-30K7-HSS	B2-U0-G5
NV-3-256L-7-30K8-HSS	B2-U0-G5
NV-3-256L-7-35K8-HSS	B2-U0-G5
NV-3-256L-7-40K7-HSS	B2-U0-G5
NV-3-256L-7-40K8-HSS	B2-U0-G5
NV-3-256L-7-50K7-HSS	B2-U0-G5
NV-3-256L-7-50K8-HSS	B2-U0-G5
NV-3-256L-8-27K7-HSS	B2-U0-G5
NV-3-256L-8-27K8-HSS	B2-U0-G5
NV-3-256L-8-30K7-HSS	B2-U0-G5
NV-3-256L-8-30K8-HSS	B2-U0-G5
NV-3-256L-8-35K8-HSS	B2-U0-G5
NV-3-256L-8-40K7-HSS	B2-U0-G5
NV-3-256L-8-40K8-HSS	B2-U0-G5
NV-3-256L-8-50K7-HSS	B2-U0-G5
NV-3-256L-8-50K8-HSS	B2-U0-G5

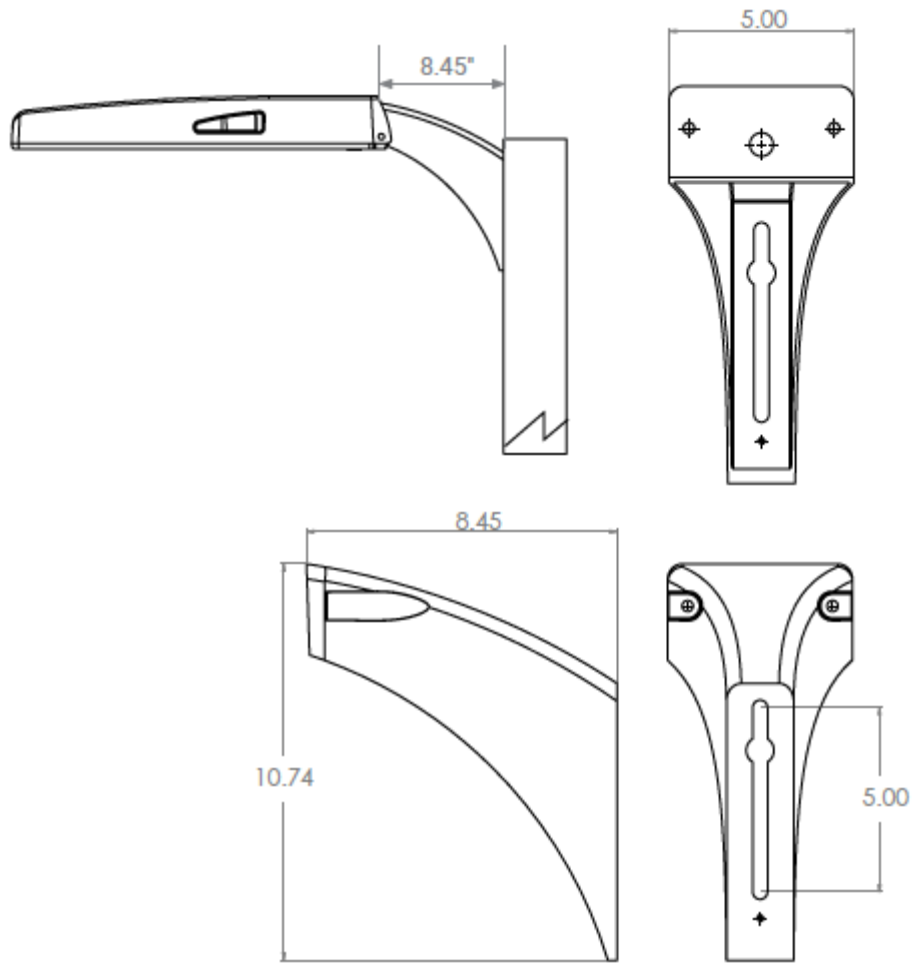
BUG RATING CHART PERFORMANCE T4FTW SILICONE MICRO OPTICS W/HSS	
PART NUMBER	T4FTW HSS
NV-3-256L-85-27K7-HSS	B2-U0-G5
NV-3-256L-85-27K8-HSS	B2-U0-G5
NV-3-256L-85-30K7-HSS	B2-U0-G5
NV-3-256L-85-30K8-HSS	B2-U0-G5
NV-3-256L-85-35K8-HSS	B2-U0-G5
NV-3-256L-85-40K7-HSS	B2-U0-G5
NV-3-256L-85-40K8-HSS	B2-U0-G5
NV-3-256L-85-50K7-HSS	B2-U0-G5
NV-3-256L-85-50K8-HSS	B2-U0-G5
NV-3-256L-9-27K7-HSS	B2-U0-G5
NV-3-256L-9-27K8-HSS	B2-U0-G5
NV-3-256L-9-30K7-HSS	B2-U0-G5
NV-3-256L-9-30K8-HSS	B2-U0-G5
NV-3-256L-9-35K8-HSS	B2-U0-G5
NV-3-256L-9-40K7-HSS	B3-U0-G5
NV-3-256L-9-40K8-HSS	B3-U0-G5
NV-3-256L-9-50K7-HSS	B3-U0-G5
NV-3-256L-9-50K8-HSS	B3-U0-G5
NV-3-256L-97-27K7-HSS	B2-U0-G5
NV-3-256L-97-27K8-HSS	B2-U0-G5
NV-3-256L-97-30K7-HSS	B3-U0-G5
NV-3-256L-97-30K8-HSS	B3-U0-G5
NV-3-256L-97-35K8-HSS	B3-U0-G5
NV-3-256L-97-40K7-HSS	B3-U0-G5
NV-3-256L-97-40K8-HSS	B3-U0-G5
NV-3-256L-97-50K7-HSS	B3-U0-G5
NV-3-256L-97-50K8-HSS	B3-U0-G5
NV-3-256L-1-27K7-HSS	B3-U0-G5
NV-3-256L-1-27K8-HSS	B3-U0-G5
NV-3-256L-1-30K7-HSS	B3-U0-G5
NV-3-256L-1-30K8-HSS	B3-U0-G5
NV-3-256L-1-35K8-HSS	B3-U0-G5
NV-3-256L-1-40K7-HSS	B3-U0-G5
NV-3-256L-1-40K8-HSS	B3-U0-G5
NV-3-256L-1-50K7-HSS	B3-U0-G5
NV-3-256L-1-50K8-HSS	B3-U0-G5

# PRODUCT SPECIFICATIONS

## MOUNTING OPTIONS

### ARCHITECTURAL SWEEP ARM (ASA)

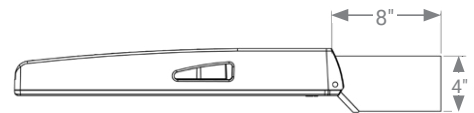
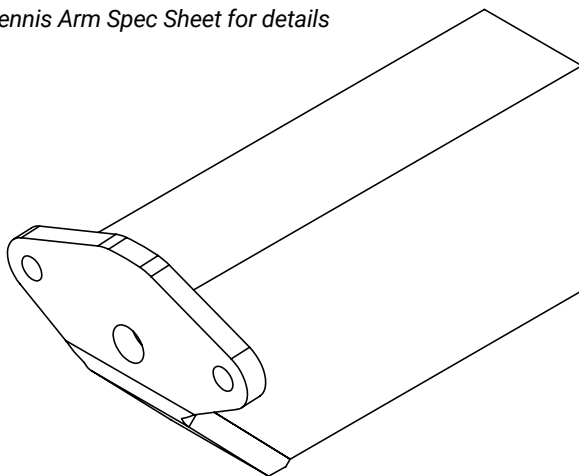
Cast Sweep Arm includes integral Quick Mount Bracket.



### TENNIS ARM MOUNT (TA)

Steel fitter slips over 3.5" x 1.5" rectangular arm.

\*See Tennis Arm Spec Sheet for details



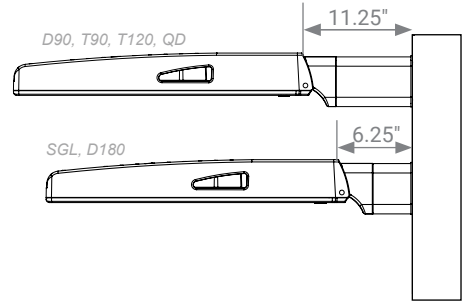
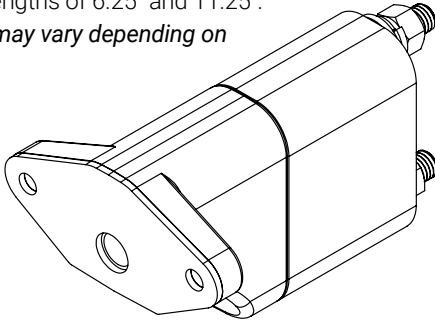
# PRODUCT SPECIFICATIONS

## MOUNTING OPTIONS

### DIRECT POLE (DP)

Standard mounting arm is extruded aluminum in lengths of 6.25" and 11.25".

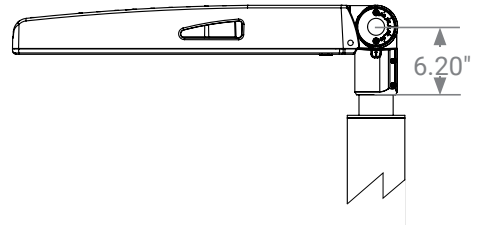
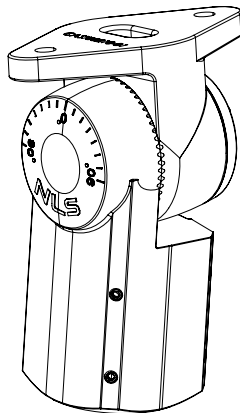
*\*Arm lengths may vary depending on configuration*



### KNUCKLE MOUNT (KM)

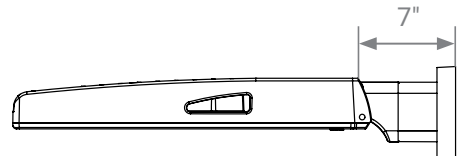
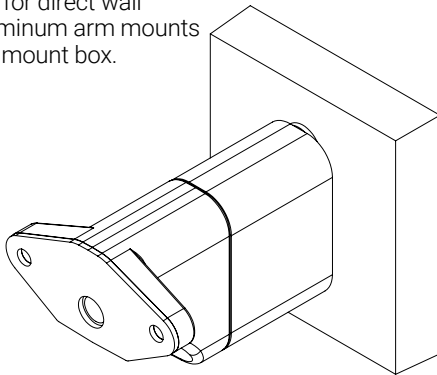
Die Cast Knuckle great for adjustable installation on 2-3/8" OD vertical or horizontal tenon.

- Max Uplift of 90 degrees
- Adjustable in 6 degree increments



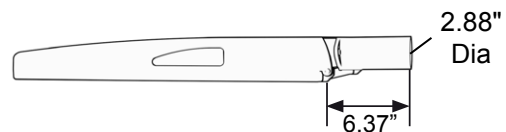
### WALL MOUNT (WM)

Cast Aluminum Plate for direct wall mount. 2 piece 7" aluminum arm mounts directly to a cast wall mount box.



### MAST ARM MOUNT (MA)

Mast Arm Fitter slips over 2-3/8" OD tenon.

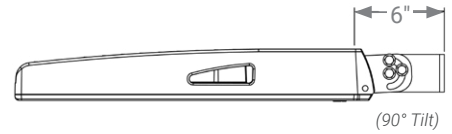
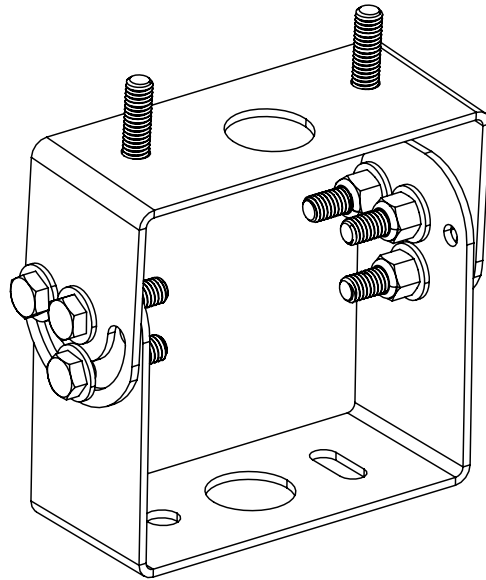


# PRODUCT SPECIFICATIONS

## TRUNNION MOUNT (TM)

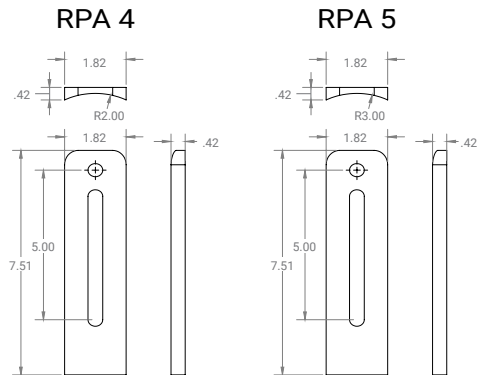
Steel, bolt-on-mounting for adjustable installation with a maximum uplift of 90 degrees.

*\*Unpainted stainless steel is standard*



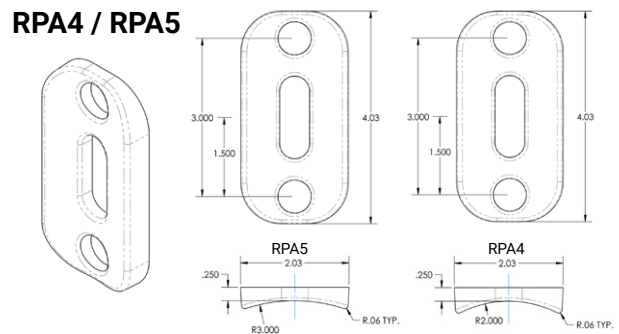
## ASA - ROUND POLE ADAPTER OPTIONS (RPA4) (RPA5)

When using round poles, specify Round Pole Adapter (RPA). Specify RPA4 when installing on 3"-4" round poles, and RPA5 when installing on 5"-6" round poles.



## ROUND POLE ADAPTER OPTIONS (RPA4) (RPA5)

When using round poles, specify Round Pole Adapter (RPA). Specify RPA4 when installing on 3"-4" round poles, and RPA5 when installing on 5"-6" round poles.



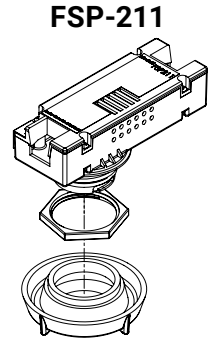
# PRODUCT SPECIFICATIONS

## CONTROL OPTIONS

- DIMMING CONTROL (FSP)—Passive infrared (PIR) sensor providing multi-level control based on motion/daylight contribution
- All control parameters adjustable via wireless configuration remote storing and transmitting sensor profiles.
- FSP-8 mounting heights 8 feet and below
- FSP-20 mounting heights 9-20 feet.
- FSP-40 mounting heights 21-40 feet.
- Includes 5 dimming event cycles, 0-10V dimming with motion sensing, re-programmable in the field.

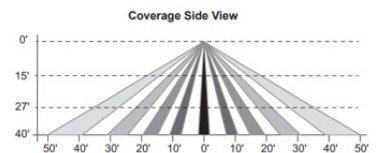
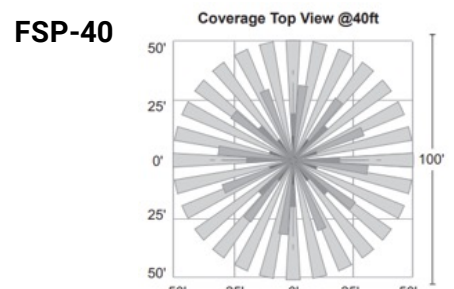
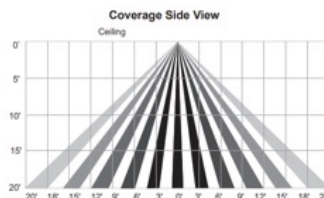
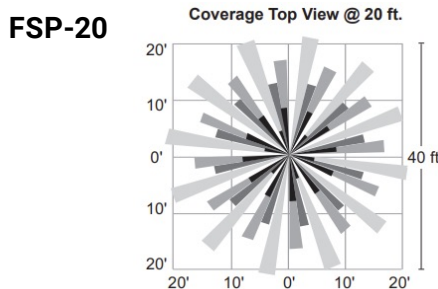
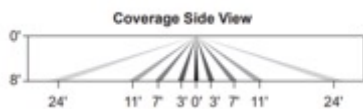
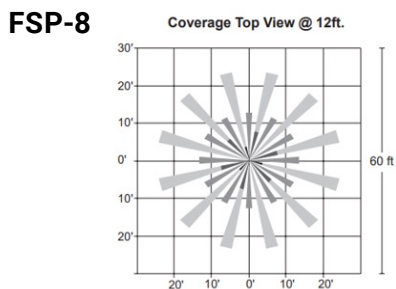
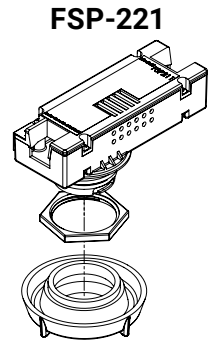
## FSP-211 WITH MOTION SENSOR (FSP-XX)

- FSP-211(FSP-X)—Passive infrared (PIR) sensor providing multi-level control based on motion/daylight contribution.
- 120/277VAC, 230-240VAC
- All control parameters adjustable via wireless configuration remote storing and transmitting sensor profiles.
- FSP-8 mounting heights 8 feet and below
- FSP-20 mounting heights 9-20 feet.
- FSP-40 mounting heights 21-40 feet.
- Includes 5 dimming event cycles, 0-10V dimming with motion sensing, re-programmable in the field.



## FSP-221 WITH MOTION SENSOR (FSP-HV-XX)

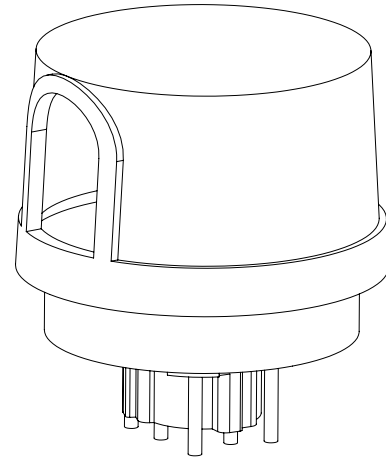
- FSP-221 (FSP-HV-X)—Passive infrared (PIR) sensor providing multi-level control based on motion/daylight contribution.
- 100-347VAC 208/230/480VAC
- All control parameters adjustable via wireless configuration remote storing and transmitting sensor profiles.
- FSP-8 mounting heights 8 feet and below
- FSP-20 mounting heights 9-20 feet.
- FSP-40 mounting heights 21-40 feet.
- Includes 5 dimming event cycles, 0-10V dimming with motion sensing, re-programmable in the field.



## PRODUCT SPECIFICATIONS

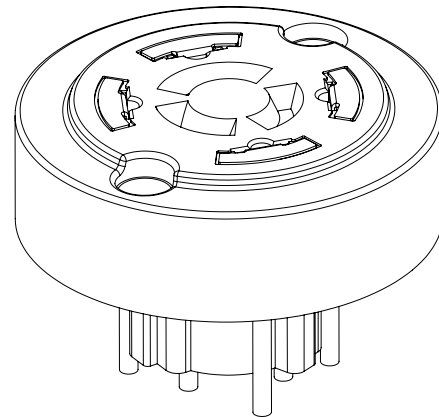
### PHOTOCELL + RECEPTACLE (PCR)

7-Pin Receptacle and Electronic Twist Lock Photocell for dusk to dawn operation.



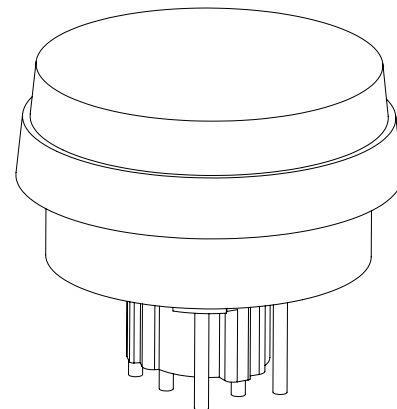
### NEMA 7-PIN RECEPTACLE (PE7)

An ANSI C136.41-2013 receptacle provides electrical and mechanical interconnection between photo control cell and luminaire. Dimming receptacle available two or four dimming contacts supports 0-10 VDC dimming methods or Digital Addressable Lighting Interface (DALI), providing reliable power interconnect.



### RECEPTACLE + SHORTING CAP (PER)

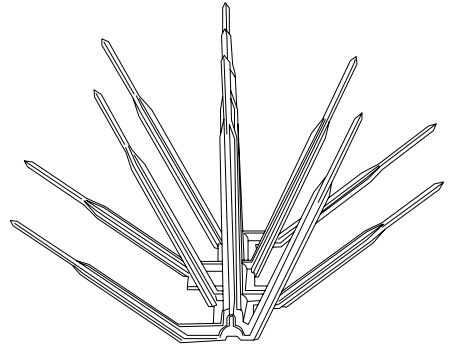
7-Pin Receptacle and Shorting Cap.



## PRODUCT SPECIFICATIONS

### BIRD SPIKES (BS)

Bird Spikes offer an effective and humane deterrent for larger bird species and provide a cost-effective long-term solution to nuisance bird infestations and protect your property.



### MARINE GRADE FINISH (MGF)

The **(MGF)** is a multi step process. Chemically washed in a 5 stage cleaning system. Pre-baked. Powder coated 3-5 mils of Zinc Rich Super Durable Polyester Primer. Oven Baked. Finished Powder Coating of Super Durable Polyester Powder Coat 3-5 mil thickness.



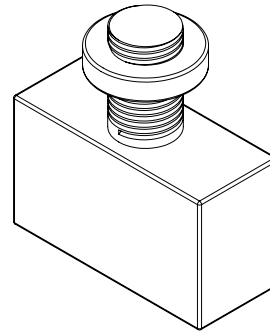
**Powder Coat Finish**  
3-5 mil Powder Coat

**Primer Layer**  
3-5 mil Zinc Rich Super Durable Polyester Primer

**Prepared Casting**  
Chemically washed in multi Step 5 stage cleaning process

### BUTTON PHOTOCELL

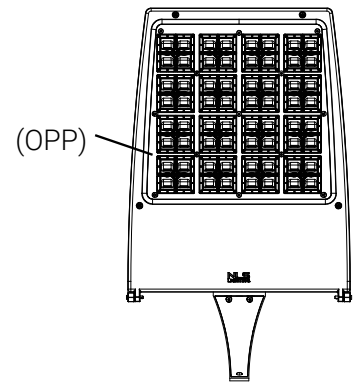
Photo Cell for dusk to dawn operation.



## PRODUCT SPECIFICATIONS

### OPTIC PLATE PAINTED TO MATCH (OPP)

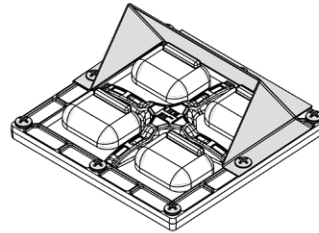
Optic plate is clear anodized as standard. The optic plate can be powder coated to match the finish of the fixture.



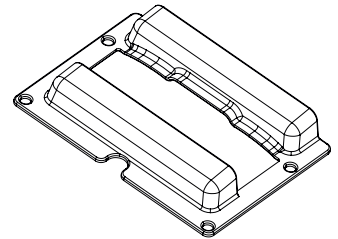
### SHIELDING OPTIONS (AHS) (HSS)

SHIELDS (HSS, AHS)—House Side Shield (HSS) is designed for full property line cut-off. Automotive House Side Shield (AHS) is a single-sided shield allowing partial cut-off on either side or front of luminaire.

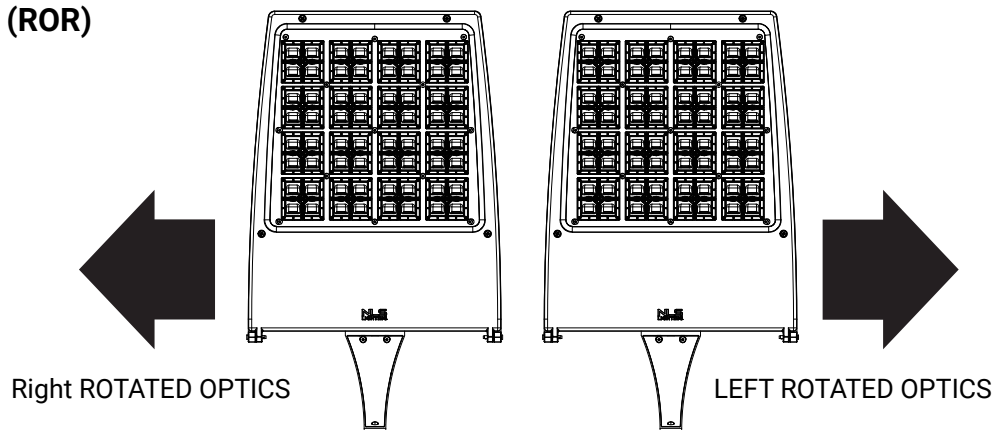
#### AUTOMOTIVE HOUSE SIDE SHIELD



#### HOUSE SIDE SHIELD



### ROTATED OPTICS (ROL) (ROR)



## PRODUCT SPECIFICATIONS

### BLACK OPTIC FRAME

Optional Black Optic Frame (includes black hardware)  
Standard Optic Frame is white.



### LENS OPTIONS

#### GL LENS (GL)

Low Iron Glass, fully tempered

Optional Glass Lens with larger optic housing. Only available in specific configurations.



#### HAL LENS

High Performance Amber Lens

High Performance Yellow Polycarbonate Lens – less than 2% Blue Light Content



GLASS LENS CONFIGURATIONS	
160L	900mA
160L	975mA
160L	1050mA
192L	900mA
192L	975mA
192L	1050mA
256L	800mA
256L	850mA
256L	900mA