

**LED WATTAGE CHART**

Drive Current	80L	96L	112L	128L
700 milliamps	168w-171w	193w-200w	243w	265w-274w
1050 milliamps	255w-263w	289w-316w	357w-366w	409w-410w
1200 milliamps	-	-	-	467w

**KEY FEATURES**

- Ideal High Lumen Output for Area, Site, Roadway, and Large Parking Venues such as: Corporate Parks, Shopping Malls, Event Roadways, and Airports
- Sleek Robust Design of the NV-2 (Weight: 42 lbs., EPA: 0.61)
- IES Distributions T2, T3, T4, and T5
- 80L, 96L, 112, and 128L LED Configurations, 168 to 467 Watts
- Amber, 2700K, 3000K, 3500K, 4000K, 5000K CCT Multichip High Power 70 & 80 CRI LEDs
- IP65 Rated Against Dust & Water Ingress, IK10 Rated for Tamper/Vandalism/Impact Protection
- Mountings available have a 1.5G to 3G Vibration Rating: Architectural Sweep Arm, Direct Pole 6" and 11" Arm, Knuckle Mount, Wall Mount, Trunnion Mount, Mast Arm Mount, and Tennis Arm
- 20kA Surge Protection (120V - 480V), 0 - 10V Programmable, Dimming LED Drivers
- LED Drivers Ambient Temp. Min (°C) is -40°C and Ambient Temp. Max (°C) ranges from 50°C to 55°C

- Silicone Micro Optics providing 96% Clarity and Heat Resistant up to 150°C
- Controls Agnostic, Compatible with Most Control Systems and Sensors
- Environmentally Friendly Product Which Reduces Energy Consumption, L70 > 100,000 hours
- Easy to Install Mounting
- Cost Competitive and Short Shipping Lead Times in Days & Weeks

**BUY AMERICAN**

To ensure the latest BAA/TAA/BABA Standards are being met, please select BAA, TAA, or BABA in the options section. Please contact the factory before placing an order for any NLS products requesting BAA (Buy American Act), TAA (Trade American Act), or BABA (Build America, Buy America).



Project Name:

Type:

# NV-2 ORDERING GUIDE

Cat#	Light Dist.	# of LEDs	Drive Current	Color Temp. / CCT	Voltage	
NV-2 (NV-2)	<b>Standard Silicone Micro Optics</b>		<b>Standard Configurations</b>		Amber LED 595nm Dominant Wavelength Standard Turtle Friendly <b>(AMBER)</b> <sup>11, 13, 15</sup>  Amber LED Phosphor Converted <b>(AMBER/PC)</b> <sup>13, 15</sup>  2700K, 70 CRI <b>(27K7)</b> <sup>7</sup>  2700K, 80 CRI <b>(27K8)</b> <sup>2, 7</sup>  3000K, 70 CRI <b>(30K7)</b> <sup>7</sup>  3000K, 80 CRI <b>(30K8)</b> <sup>2, 7</sup>  3500K, 80 CRI <b>(35K8)</b>  4000K, 70 CRI <b>(40K7)</b>  4000K, 80 CRI <b>(40K8)</b> <sup>2</sup>  5000K, 70 CRI <b>(50K7)</b>  5000K, 80 CRI <b>(50K8)</b> <sup>2</sup>	
	Type 2 <b>(T2)</b>	80 LED <b>(80L)</b>	700mA <b>(7)</b>	120V-277V <b>(UNV)</b>  347V-480V <b>(HV)</b>		
	Type 3 <b>(T3)</b>	96 LED <b>(96L)</b>	850mA <b>(85)</b> <sup>23</sup>			
	Type 4 Automotive Forward <b>(T4AF)</b> <sup>13, 20</sup>	112 LED <b>(112L)</b>	1050mA <b>(1)</b>			
	Type 4 Automotive Left <b>(T4AL)</b> <sup>13, 20</sup>	128 LED <b>(128L)</b>	1200mA <b>(12)</b> <sup>13</sup>			
	Type 4 Automotive Right <b>(T4AR)</b> <sup>13, 20</sup>	<b>Standard Configurations</b>				
	Nema 3 30° Narrow Beam <b>(N3)</b>	80 LED <b>(80L)</b>	700mA <b>(7)</b>			
		96 LED <b>(96L)</b>	1050mA <b>(1)</b>			
	<b>Performance Silicone Micro Optics</b>		<b>Performance Plus Configurations*</b>			
	Type 3 Medium <b>(T3M)</b>	112 LED <b>(112L)</b>	1200mA <b>(12)</b> <sup>14</sup>			
	Type 4 Forward Throw Wide (For Perimeters) <b>(T4FTW)</b>	128 LED <b>(128L)</b>				
	Type 5 Wide (For Improved Uniformity & Wider Pole Spacing) <b>(T5W)</b>	128 LED <b>(128L)</b>	350mA <b>(35)</b> <sup>20</sup>			
			530mA <b>(53)</b> <sup>20</sup>			
			Custom Drive Current <b>(CUS-MA-***)</b> Specify			

Our new T3M, T4FTW & T5W will replace our legacy T3, T4 & T5 optics. For New specifications, please use our T3M, T4FTW & T5W, where you would use our legacy Type 3, Type 4 & Type 5 optics. Consult factory for availability of our legacy T3, T4 & T5 optical configurations, if they are needed to match existing installations.

\* Performance Plus configurations with our New Performance Silicone Optics. (For optimized performance combine highest chip count with High Efficacy Drive Currents)

Mounting	Color	Controls Options	Options	Lens Options
Architectural Sweep Arm <b>(ASA)</b>	Bronze Textured <b>(BRZ)</b>	Nema 7-Pin Receptacle <b>(PE7)</b>	Bird Spikes <b>(BS)</b>	Glass Lens <b>(GL)</b> <sup>8, 22</sup>
Direct Pole 3" Arm Single <b>(DPS3)</b> <sup>3</sup>	White Textured <b>(WHT)</b>	Photocell + Receptacle <b>(PCR)</b>	Marine Grade Finish <b>(MGF)</b>	HAL Lens <b>(HAL)</b> <sup>9, 22</sup>
Direct Pole 7" Arm D180, D90, T90, T120, Quad <b>(DPS7)</b> <sup>3</sup>	Smooth White Gloss <b>(SWT)</b>	Receptacle + Shorting Cap <b>(PER)</b>	Optic Plate Painted to Match Fixture <b>(OPP)</b>	
Knuckle Mount <b>(KM)</b>	Silver Metallic <b>(SVR)</b>	<b>FSP-211 w/Motion Sensor/Photocell (120/277VAC, 230-240VAC)</b> 8' Heights <b>(FSP211-8)</b> <sup>16, 18</sup>	ASA Round Pole Adaptor 3"-4" Pole <b>(RPA-ASA-4)</b>	<b>NOTES:</b> 1. Consult Factory for Availability and Lead Time 2. Consult Factory for 90 CRI Requests. 3. For Round Pole Specify RPA4 or RPA5 4. Standard finish is stainless steel. Can be painted to match fixture 5. Universal Voltage 120V-277V 6. HSS not applicable with Nema 3 7. 3000K or lower, with fixed mounting options only, must be selected to meet International Dark-Sky Association certification 8. Glass Lens: Low Iron glass, fully tempered per ANSI C1047 (QCH-2201-37) 9. HAL Lens: Yellow Polycarbonate Lens – less than 2% Blue Light Content 10. Please contact Factory for Custom Control Integration requests (nLight, NX, WaveLinX, Crestron, DMX/RDM, Synapse, Casambi, Dali II, Avi-On, or other control systems) 11. Turtle Safe 12. Consult factory for all BAA/TAA/BABA requests 13. Consult Factory for Lead Time and estimated performance data 14. 1200mA is only available with 128L 15. Not available over 530mA 16. FSP-211, 120V/277VAC (800W/1200W Max), 230-240VAC (300W Max), 50/60Hz Single Phase. Field/Site line voltage must be disclosed for project validation. 17. FSP-221, 100-347VAC 50/60Hz Single Phase, 208/230/480VAC 50/60Hz Phase-to-Phase. 120VAC (800W Max), 230-240VAC (300W Max), 277/347/480VAC (1200W Max). Field/Site line voltage must be disclosed for project validation. 18. Projects with sensors require Qty. 1 FSIR per project 19. See estimated scaling chart for multiplier values to estimate lumen output. Please contact Factory to verify the estimated performance data. 20. 128L only 21. DPS6 or DPS11 must also be selected with QMB/RQMB options 22. HSS not available with lens options 23. 850mA only available 128L with T4 Automotive Distributions (T4AF, T4AL, T4AR) 24. Maximum of 700mA available with Lens options
Wall Mount <b>(WM)</b>	Black Textured <b>(BLK)</b>	9'-20' Heights <b>(FSP211-20)</b> <sup>16, 18</sup>	ASA Round Pole Adaptor 5"-6" Pole <b>(RPA-ASA-5)</b>	
Trunnion Mount <b>(TM)</b> <sup>4</sup>	Smooth Black Gloss <b>(SBK)</b>	21'-40' Heights <b>(FSP211-40)</b> <sup>16, 18</sup>	Round Pole Adaptor 3"-4" Pole <b>(RPA4)</b>	
Tennis Arm Mount <b>(TA)</b>	Graphite Textured <b>(GPH)</b>		Round Pole Adaptor 5"-6" Pole <b>(RPA5)</b>	
Mast Arm Mount <b>(MA)</b>	Grey Textured <b>(GRY)</b>	<b>FSP-221 w/Motion Sensor/Photocell (100/347VAC, 208/ 230/480VAC)</b> 8' Heights <b>(FSP-HV-8)</b> <sup>17, 18</sup>	Rotated Optic Left/ Right <b>(ROL/ ROR)</b>	
Quick Mount Bracket <b>(QMB)</b> <sup>21</sup>	Green Textured <b>(GRN)</b>	9'-20' Heights <b>(FSP-HV-20)</b> <sup>17, 18</sup>	Automotive House Side Shield <b>(AHS)</b>	
Retrofit Mount Bracket <b>(RQMB)</b> <sup>21</sup>	Hunter Green Textured <b>(HGN)</b>	21'-40' Heights <b>(FSP-HV-40)</b> <sup>17, 18</sup>	House Side Shield <b>(HSS)</b> <sup>6, 22</sup>	
	Custom <b>(CS)</b>	Custom Controls Integration <b>(CCI)</b> <sup>10</sup>	Precision Backlight Control Type 2 <b>(PBC2)</b>	
		DALI-2 <b>(D2)</b> <sup>10</sup>	Precision Backlight Control Type 3 <b>(PBC3)</b>	
		FSP Remote <b>(FSIR)</b> <sup>18</sup>	Precision Backlight Control Type 4 <b>(PBC4)</b>	
		Button Type Photocell <b>(PC)</b> <sup>5</sup>	Black Optic Frame <b>(BOF)</b>	
			Buy American Act <b>(BAA)</b> <sup>12</sup>	
			Build America Buy American <b>(BABA)</b> <sup>12</sup>	
			Trade Agreement Act <b>(TAA)</b> <sup>12</sup>	



701 Kingshill Place, Carson, CA 90746  
Call Us Today (310) 341-2037

nlsighting.com

# PRODUCT SPECIFICATIONS

## ELECTRICAL

- 120-277 Volts (UNV) or 347-480 Volts (HV)
- 0-10V dimming driver
- Driver power factor at maximum load is  $\geq .95$ , THD maximum load is 15%
- LED Drivers Ambient Temp. Min is -40°C and Ambient Temp. Max ranges from 50°C to 55°C. Consult the factory for revalidation by providing the fixture catalog string before quoting and specifying it.
- All internal wiring UL certified for 600 VAC and 105°C
- All drivers, controls, and sensors housed in enclosed IP65 compartment
- CRI 70, 80 or 90 (Contact factory for 90 CRI)
- Color temperatures: Amber, 2700K, 3000K, 3500K, 4000K, 5000K
- Surge Protection: 20KA supplied as standard.

## CONSTRUCTION

- Die Cast Aluminum
- External cooling fins
- Corrosion resistant external hardware
- One-piece silicone gasket ensures IP65 seal for electronics compartment
- One-piece Optics Plate™ mounting silicone Micro Optics
- Two-piece silicone Micro Optic system ensures IP67 level seal around each PCB
- Grade 2 Clear Anodized Optics Plate™ standard

## OPTIONS

- BIRD SPIKES (BS) - Offers a practical and humane deterrent for larger bird species and provides a cost-effective long-term solution to nuisance bird infestations and protects your property.
- MARINE GRADE FINISH (MGF) - A multi-step process creating protective finishing coat against harsh environments. Chemically washed in a 5 stage cleaning system. Pre-baked, Powder coated 3-5 mils of Zinc Rich Super Durable Polyester Primer. Oven Baked. Finished Powder Coating of Super Durable Polyester Powder Coat 3-5 mil thickness.
- OPTIC PLATE PAINTED TO MATCH FIXTURE (OPP) - Optic plate is clear anodized as standard. The optic plate can be powder coated to match the finish of the fixture.
- QUICK MOUNT BRACKET (QMB) - Optional Cast Aluminum Bracket designed for quick mounting on Direct Square or Round Poles. Cleat mounts directly to pole for easily hung fixtures. Has a 2"x4" Drill Pattern.
- RETROFIT MOUNT BRACKET - Optional Cast Aluminum Bracket designed for quick mounting on Direct Square or Round Poles. Cleat mounts directly to pole for easily hung fixtures. Drill Pattern is adjustable from 2"x4" to 2"x6".
- ROUND POLE ADAPTER (RPA) - When using round poles, specify Round Pole Adapter (RPA). Specify RPA4 when installing on 3"-4" round poles, and RPA5 when installing on 5"-6" round poles.
- ROTATED OPTICS (ROL) (ROR) - Rotated optics are designed for perimeter lighting for auto dealerships.
- SHIELDS (HSS, AHS) - House Side Shield (HSS) is designed for full property line cut-off. Automotive House Side Shield (AHS) is a single-sided shield allowing partial cut-off on either side or front of luminaire.
- BLACK OPTIC FRAME (BOF) - Optional black optic frame (includes black hardware). Standard is white.
- GLASS LENS (GL) - Low Iron Glass, fully tempered.
- HAL LENS (HAL) - High Performance Yellow Polycarbonate Lens – less than 2% Blue Light Content

## CONTROL OPTIONS

- **FSP-211 w/Motion Sensor/Photocell (120/277VAC, 230-240VAC)** (FSP-X) - Passive infrared (PIR) sensor providing multi-level control based on motion/daylight contribution.

- **FSP-221 w/Motion Sensor/Photocell (100-347VAC, 208/230/480VAC)** (FSP-HV-X) - Passive infrared (PIR) sensor providing multi-level control based on motion/daylight contribution.
  - All control parameters adjustable via wireless configuration remote storing and transmitting sensor profiles.
  - FSP-8 mounting heights 8 feet and below
  - FSP-20 mounting heights 9-20 feet
  - FSP-40 mounting heights 21-40 feet.
  - Includes 5 dimming event cycles, 0-10V dimming with motion sensing, re-programmable in the field.
  - FSIR-100 commissioning remote is required to change sensor settings. Please contact factory for ordering.
- Controls Agnostic: Please contact factory for your preferred controls option. (nLight, NX, WaveLinX, Crestron, DMX/RDM, Synapse, Casambi, Dali II, or other control systems)
- NEMA 7-PIN RECEPTACLE (PE7)—An ANSI C136.41-2013 receptacle provides electrical and mechanical interconnection between photo control cell and luminaire. Dimming receptacle available two or four dimming contacts supports 0-10 VDC dimming methods or Digital Addressable Lighting Interface (DALI), providing reliable power interconnect.
- PHOTOCELL + RECEPTACLE (PCR)—7-Pin Receptacle and Electronic Twist Lock Photocell for dusk to dawn operation.
- RECEPTACLE + SHORTING CAP (PER)—7-Pin Receptacle and Shorting Cap.

## FINISH

- 3-5 mils electrostatic powder coat.
- NLS Light's standard high-quality finishes prevent corrosion protects against and extreme environmental conditions.
- 10 Standard Finishes, Custom Finish and Marine Grade Finish Available

## WARRANTY

Five-year limited warranty for drivers and LEDs.

## OPTICS

Silicone optics high thermal stability and light output provide higher powered LEDs with minimized lumen depreciation. UV stability with scratch resistance increases exterior application durability. Silicone optics do not yellow, crack or brittle over time

## LISTINGS

- UL Listed in compliance with UL 1598, the Standard for Safety of Luminaires, including the applicable wet location requirements
- Compliant with UL 8750 LED driver design and test safety standards
- CSA C22.2 No. 250.0
- DesignLights Consortium® (DLC)
- DesignLights Consortium Premium® (DLC P)
- IP65/ IP67 Rated
- 3G Vibration Rated per ANSI C136.31-2010
- IDA Dark Sky Approved
- IK10 Rated

## BUY AMERICAN OPTION

While all of the NLS Lighting products listed in this document qualify for the Buy America(n) Act of 1933, we reserve the right to change our listings without notice.

The information provided above is for general informational purposes only. We encourage you to consult legal professionals for advice particular to your projects concerning BAA, TAA, BABA or Buy America.

Additional NLS Products that meet BAA, TAA standards can be found at the following link:

<https://nslighting.com/buy-american/>



Certified by DarkSky.org  
3000K or lower, with fixed mounting options only, must be selected to meet International Dark-Sky Association certification.

The information and specifications on this document are subject to change without any notification. All values are design, nominal, typical or prorated values when measured under internal and external laboratory conditions.

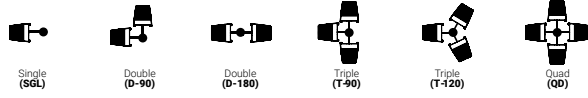


701 Kingshill Place, Carson, CA 90746  
Call Us Today (310) 341-2037

[nslighting.com](http://nslighting.com)

# PRODUCT SPECIFICATIONS

## MOUNTING CONFIGURATION

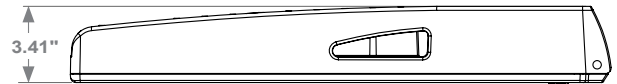
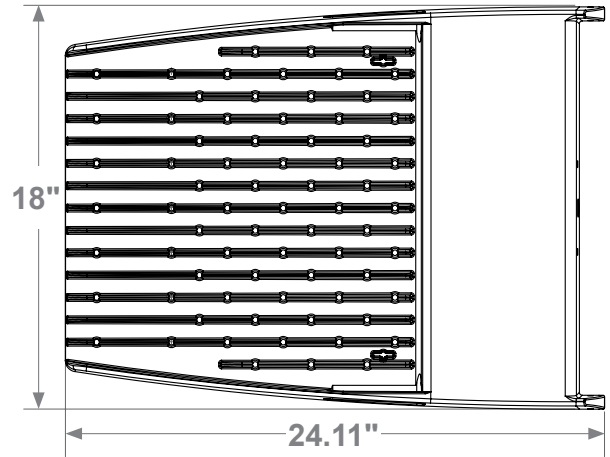


## EPA

EPA	SGL	D90	D180	T90	T120	QD
NV-2-DP	0.89	1.22	1.78	1.96	1.91	1.96
NV-2-KM	0.69	1.18	1.38	1.85	2.68	1.85
NV-2-ASA	0.98	1.96	1.75	2.66	2.62	2.66

## DPX ARM LENGTH

DPX ARM LENGTH	SGL	D90	D180	T90	T120	QD
NV-2	6.25"	11.25"	6.25"	11.25"	11.25"	11.25"



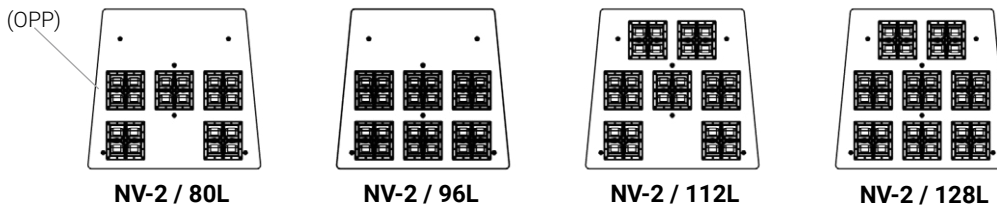
**Weight: 42 lbs**

**EPA: .61**

## OPTICAL CONFIGURATIONS

Rotatable Optics (ROR) Rotated Right, (ROL) Rotated Left options available. Optics field and factory rotatable.

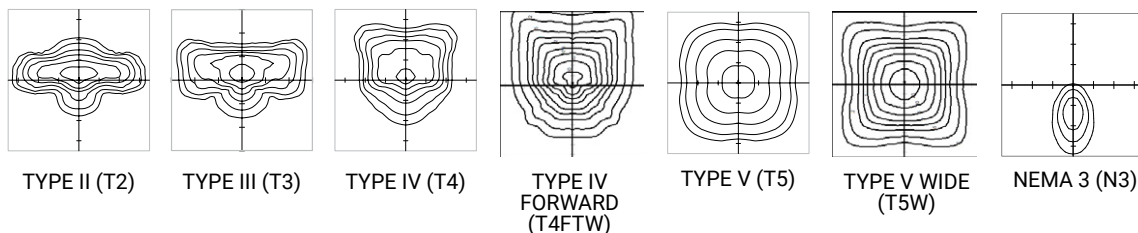
\* OPTIC PLATE PAINTED TO MATCH FIXTURE FINISH (OPP)– Optic Plate standard clear anodized, Grade 2. When (OPP) specified, Optic Plate finish will match fixture finish.



## OPTICS

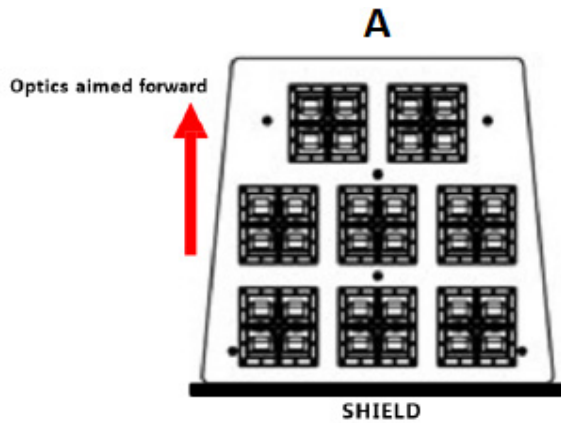
Silicone optics high photothermal stability and light output provides higher powered LEDs with minimized lumen depreciation LED life. UV and thermal stability with scratch resistance increases exterior application durability.

IES Types



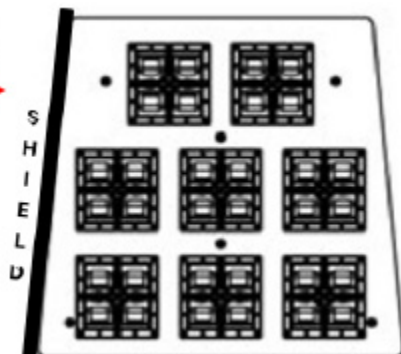
**PRODUCT SPECIFICATIONS**

**NV-2 AUTOMOTIVE DISTRIBUTIONS**



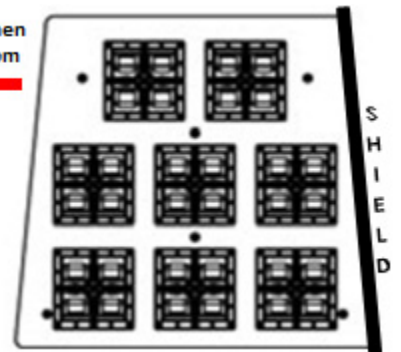
**TYPE 4 AUTOMOTIVE FORWARD  
(T4AF)  
FORWARD VIEW**

Optics aimed left when viewing the fixture from above



**TYPE 4 AUTOMOTIVE LEFT  
(T4AL)  
BOTTOM VIEW**

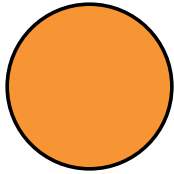
Optics aimed right when viewing the fixture from above



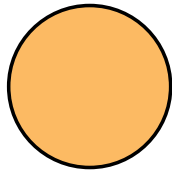
**TYPE 4 AUTOMOTIVE RIGHT  
(T4AR)  
BOTTOM VIEW**

# PRODUCT SPECIFICATIONS

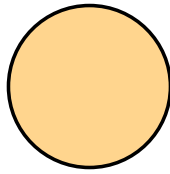
## LED KELVIN RANGE



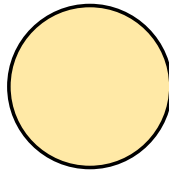
**AMBER**  
585-600 nm



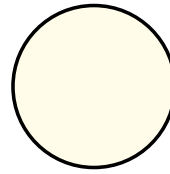
2700K 70 CRI



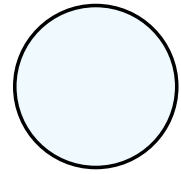
3000K 70 CRI



3500K 80 CRI



4000K 70 CRI



5000K 70 CRI

Color	Dominant or Peak Wavelength Range (nm)	
	Minimum	Maximum
Amber	585	600

LUMEN MAINTENANCE DATA							
Ambient Temperature	Drive Current	L90 Hours*	L70 Hours**	30,000 Hours*	50,000 Hours*	60,000 Hours*	100,000 Hours**
25°C	Up to 700mA	58,000	173,000	95.7%	91.6%	89.6%	82.1%
	1050mA	48,000	143,000	94.3%	89.5%	87.2%	78.5%

\*Reported extrapolations per IESNA TM-21      \*\*Projected extrapolations per IESNA TM-21

MULTIPLIERS FOR 70/80/90 CRI (Scaling Factor from 5000K 70 CRI)			
CCT	70 CRI	80 CRI	90 CRI
2700K	0.840	0.737	0.609
3000K	0.975	0.776	0.640
3500K	0.890	0.800	0.659
4000K	1.000	0.815	0.679
5000K	1.000	0.830	0.710

## Performance Plus Solution

### What is "Performance Plus"?

#### **Light Pattern Optimization + Lumen Maintenance Longevity + High Efficacy + Visual Comfort**

Performance Plus solutions combine Performance Silicone Micro Optics with maximum LED count at lower drive currents. This strategy enhances luminaire efficiency, visual comfort, and the reduced maintenance costs already associated with NLS's Performance Silicone Micro Optics. It can also deliver an additional 20% in savings for both new construction and retrofit projects.



**Performance Series Silicone Micro Optics**

**Maximum LED Count at Lower Drive Current**

### Do More With Less

#### **New Construction:**

Saves tens-to-hundreds of thousands of dollars in upfront project cost

Performance Silicone Micro Optics save end users thousands in material and installation costs by reducing the fixtures by an average of 15%. Efficient and precise Performance Silicone Micro Optics materially improve fixture spacing without sacrificing light levels.

#### **Retrofit:**

Saves tens-to-hundreds of thousands of dollars in project life cycle energy

Performance Silicone Micro Optics provide substantial energy savings, while markedly outperforming industry benchmarks for light output depreciation and illumination quality.



# PRODUCT SPECIFICATIONS

## LUMEN CHARTS

LUMEN CHART AMBER WITH T3					
PART NUMBER	T3	LPW	WATTAGE	BUG	MULTIPLIER FOR 50K7 GOING TO AMBER
NV-2-80L-35-AMBER	4573	79	58	B1-U0-G1	0.3710
NV-2-80L-53-AMBER	5421	61	89	B1-U0-G1	0.3113
NV-2-96L-35-AMBER	5398	77	70	B1-U0-G1	0.3710
NV-2-96L-53-AMBER	6545	53	123	B2-U0-G2	0.3113
NV-2-112L-35-AMBER	5960	63	95	B2-U0-G2	0.3710
NV-2-112L-53-AMBER	7832	53	148	B2-U0-G2	0.3373
NV-2-128L-35-AMBER	7014	64	109	B2-U0-G2	0.3710
NV-2-128L-53-AMBER	8873	53	166	B2-U0-G2	0.3272

LUMEN CHART AMBER WITH T2					
PART NUMBER	T2	LPW	WATTAGE	BUG	MULTIPLIER FOR 50K7 GOING TO AMBER
NV-2-80L-35-AMBER	4793	83	58	B1-U0-G1	0.3710
NV-2-80L-53-AMBER	5783	65	89	B1-U0-G1	0.3113
NV-2-96L-35-AMBER	5470	78	70	B1-U0-G1	0.3710
NV-2-96L-53-AMBER	6590	54	123	B1-U0-G1	0.3113
NV-2-112L-35-AMBER	6357	67	95	B1-U0-G1	0.3710
NV-2-112L-53-AMBER	8379	57	148	B2-U0-G2	0.3373
NV-2-128L-35-AMBER	7219	66	109	B2-U0-G2	0.3710
NV-2-128L-53-AMBER	9144	55	166	B2-U0-G2	0.3272

LUMEN CHART AMBER WITH T4FTW					
PART NUMBER	T4FTW	LPW	WATTAGE	BUG	MULTIPLIER FOR 50K7 GOING TO AMBER
NV-2-80L-35-AMBER	4131	71	58	B1-U0-G2	0.3710
NV-2-80L-53-AMBER	4859	55	89	B1-U0-G2	0.3113
NV-2-96L-35-AMBER	4067	58	70	B1-U0-G2	0.3710
NV-2-96L-53-AMBER	5590	45	123	B1-U0-G2	0.3113
NV-2-112L-35-AMBER	5077	53	95	B1-U0-G2	0.3710
NV-2-112L-53-AMBER	6557	44	148	B1-U0-G2	0.3373
NV-2-128L-35-AMBER	6602	61	109	B1-U0-G2	0.3710
NV-2-128L-53-AMBER	8331	50	166	B2-U0-G3	0.3272

LUMEN CHART AMBER WITH T5W					
PART NUMBER	T5W	LPW	WATTAGE	BUG	MULTIPLIER FOR 50K7 GOING TO AMBER
NV-2-80L-35-AMBER	4573	79	58	B3-U0-G2	0.3710
NV-2-80L-53-AMBER	5823	65	89	B3-U0-G2	0.3113
NV-2-96L-35-AMBER	5326	76	70	B3-U0-G1	0.3710
NV-2-96L-53-AMBER	6727	55	123	B3-U0-G2	0.3113
NV-2-112L-35-AMBER	6518	69	95	B3-U0-G2	0.3710
NV-2-112L-53-AMBER	8938	60	148	B3-U0-G2	0.3373
NV-2-128L-35-AMBER	7510	69	109	B3-U0-G2	0.3710
NV-2-128L-53-AMBER	10264	62	166	B4-U0-G2	0.3272



701 Kingshill Place, Carson, CA 90746  
Call Us Today (310) 341-2037

[nlsighting.com](http://nlsighting.com)

# PRODUCT SPECIFICATIONS

## LUMEN CHARTS

LUMEN CHART STANDARD SILICONE MICRO OPTICS													
PART NUMBER	N3	LPW	T2	LPW	T3	LPW	T3M	LM/W	T4	LPW	T5	LPW	WATTAGE
NV-2-80L-7-27K7	17257	103	18551	110	18120	108	17524	102	17976	107	18695	111	171
NV-2-80L-7-27K8	16160	96	17372	103	16968	101	16335	96	16834	100	17507	104	171
NV-2-80L-7-30K7	18816	112	19744	118	19218	114	20340	119	18992	113	19713	117	171
NV-2-80L-7-30K8	17474	104	18336	109	17847	106	17628	103	17637	105	18307	109	171
NV-2-80L-7-35K8	17474	104	18336	109	17847	106	17691	103	17637	105	18307	109	171
NV-2-80L-7-40K7	19488	116	21000	125	20328	121	20862	122	20160	120	21168	126	171
NV-2-80L-7-40K8	18038	107	19438	116	18816	112	18776	110	18660	111	19593	117	171
NV-2-80L-7-50K7	19488	116	21000	125	20328	121	20862	122	20160	120	21168	126	171
NV-2-80L-7-50K8	18038	107	19438	116	18816	112	18776	110	18660	111	19593	117	171
NV-2-80L-1-27K7	27015	103	26790	102	26115	99	25869	101	28816	110	28366	108	256
NV-2-80L-1-27K8	25298	96	25087	95	24455	93	24113	94	26985	103	26563	101	256
NV-2-80L-1-30K7	29456	112	28141	107	27352	104	30026	117	30245	115	29193	111	256
NV-2-80L-1-30K8	27355	104	26134	99	25401	97	26023	102	28088	107	27111	103	256
NV-2-80L-1-35K8	27355	104	26134	99	25401	97	26115	102	28088	107	27111	103	256
NV-2-80L-1-40K7	30508	116	30245	115	29456	112	30796	120	32086	122	31297	119	256
NV-2-80L-1-40K8	28239	107	27995	106	27265	104	27716	108	29699	113	28969	110	256
NV-2-80L-1-50K7	30508	116	30245	115	29456	112	30796	120	33664	128	31297	119	256
NV-2-80L-1-50K8	28239	107	27995	106	27265	104	27716	105	31160	118	28969	110	263
NV-2-96L-7-27K7	20544	103	22085	110	21571	108	20563	101	21400	107	22256	111	204
NV-2-96L-7-27K8	19238	96	20681	103	20200	101	19168	94	20040	100	20842	104	204
NV-2-96L-7-30K7	22400	112	23200	116	22600	113	23868	117	22400	112	23400	117	204
NV-2-96L-7-30K8	20802	104	21545	108	20988	105	20686	101	20802	104	21731	109	204
NV-2-96L-7-35K8	20802	104	21545	108	20988	105	20759	102	20802	104	21731	109	204
NV-2-96L-7-40K7	23200	116	25000	125	24200	121	24480	120	24000	120	25200	126	204
NV-2-96L-7-40K8	21474	107	23140	116	22400	112	22032	108	22215	111	23326	117	204
NV-2-96L-7-50K7	23200	116	25000	125	24200	121	24480	120	24000	120	25200	126	204
NV-2-96L-7-50K8	21474	107	23140	116	22400	112	22032	108	22215	111	23326	117	204
NV-2-96L-1-27K7	32460	103	32189	102	31378	99	30358	99	34623	110	34082	108	306
NV-2-96L-1-27K8	30397	96	30143	95	29384	93	28298	92	32423	103	31916	101	306
NV-2-96L-1-30K7	35392	112	33812	107	32864	104	35237	115	36340	115	35076	111	306
NV-2-96L-1-30K8	32868	104	31400	99	30520	97	30538	100	33748	107	32574	103	306
NV-2-96L-1-35K8	32868	104	31400	99	30520	97	30647	100	33748	107	32574	103	306
NV-2-96L-1-40K7	36656	116	36340	115	35392	112	36140	118	38552	122	37604	119	306
NV-2-96L-1-40K8	33929	107	33637	106	32759	104	32526	106	35684	113	34807	110	306
NV-2-96L-1-50K7	37920	120	37604	119	35392	112	36140	118	40448	128	37604	119	306
NV-2-96L-1-50K8	35099	111	34807	110	32759	104	32526	106	37439	118	34807	110	306

# PRODUCT SPECIFICATIONS

LUMEN CHART STANDARD SILICONE MICRO OPTICS													
PART NUMBER	N3	LPW	T2	LPW	T3	LPW	T3M	LM/W	T4	LPW	T5	LPW	WATTAGE
NV-2-112L-7-27K7	24961	103	26833	110	26209	108	24494	101	26001	107	27041	111	243
NV-2-112L-7-27K8	23375	96	25128	103	24543	101	22832	94	24349	100	25322	104	243
NV-2-112L-7-30K7	27216	112	28188	116	27459	113	28431	117	27216	112	28431	117	243
NV-2-112L-7-30K8	25275	104	26178	108	25501	105	24640	101	25275	104	26403	109	243
NV-2-112L-7-35K8	25275	104	26178	108	25501	105	24728	102	25275	104	26403	109	243
NV-2-112L-7-40K7	28188	116	30375	125	29403	121	29160	120	29160	120	30618	126	243
NV-2-112L-7-40K8	26091	107	28116	116	27216	112	26244	108	26991	111	28341	117	243
NV-2-112L-7-50K7	29160	120	30375	125	29403	121	29160	120	29160	120	30618	126	243
NV-2-112L-7-50K8	26991	111	28116	116	27216	112	26244	108	26991	111	28341	117	243
NV-2-112L-1-27K7	37596	103	37282	102	36342	99	36007	99	40102	110	39475	108	364
NV-2-112L-1-27K8	35207	96	34913	95	34032	93	33563	92	37553	103	36966	101	364
NV-2-112L-1-30K7	40992	112	39162	107	38064	104	41793	115	42090	115	40626	111	364
NV-2-112L-1-30K8	38068	104	36369	99	35349	97	36221	100	39088	107	37729	103	364
NV-2-112L-1-35K8	38068	104	36369	99	35349	97	36350	100	39088	107	37729	103	364
NV-2-112L-1-40K7	42456	116	42090	115	40992	112	42865	118	44652	122	43554	119	364
NV-2-112L-1-40K8	39298	107	38959	106	37943	104	38579	106	41331	113	40314	110	364
NV-2-112L-1-50K7	43920	120	43554	119	40992	112	42865	118	44652	122	43554	119	364
NV-2-112L-1-50K8	40653	111	40314	110	37943	104	38579	106	41331	113	40314	110	364
NV-2-128L-35-27K7	16324	118	16188	117	15781	114	17272	125	17413	126	17141	124	138
NV-2-128L-35-27K8	15287	111	15159	110	14778	107	16100	117	16306	118	16051	116	138
NV-2-128L-35-30K7	17799	129	17004	123	16528	120	20048	145	18276	132	17640	128	138
NV-2-128L-35-30K8	16529	120	15792	114	15349	111	17375	126	16972	123	16382	119	138
NV-2-128L-35-35K8	16529	120	15792	114	15349	111	17437	126	16972	123	16382	119	138
NV-2-128L-35-40K7	18435	134	18276	132	17799	129	20562	149	19388	140	18911	137	138
NV-2-128L-35-40K8	17063	124	16916	123	16475	119	18506	134	17946	130	17505	127	138
NV-2-128L-35-50K7	18435	134	18911	137	17799	129	20562	149	19388	140	18911	137	138

# PRODUCT SPECIFICATIONS

LUMEN CHART STANDARD SILICONE MICRO OPTICS													
PART NUMBER	N3	LPW	T2	LPW	T3	LPW	T3M	LM/W	T4	LPW	T5	LPW	WATTAGE
NV-2-128L-35-50K8	17063	124	17505	127	16475	119	18506	134	17946	130	17505	127	138
NV-2-128L-53-27K7	23006	111	22814	110	22240	107	23525	113	24540	119	24157	117	209
NV-2-128L-53-27K8	21544	104	21365	103	20827	101	21929	105	22980	111	22621	109	209
NV-2-128L-53-30K7	25084	121	23964	116	23292	113	27306	131	25756	124	24860	120	209
NV-2-128L-53-30K8	23295	113	22255	108	21631	104	23665	113	23919	116	23087	112	209
NV-2-128L-53-35K8	23295	113	22255	108	21631	104	23749	114	23919	116	23087	112	209
NV-2-128L-53-40K7	25980	126	25757	124	25085	121	28006	134	27324	132	26652	129	209
NV-2-128L-53-40K8	24048	116	23841	115	23219	112	25205	121	25292	122	24670	119	209
NV-2-128L-53-50K7	25980	126	26652	129	25085	121	28006	134	27324	132	26652	129	209
NV-2-128L-53-50K8	24048	116	24670	119	23219	112	25205	121	25292	122	24670	119	209
NV-2-128L-7-27K7	27221	103	29262	110	28582	108	28154	102	28355	107	29489	111	277
NV-2-128L-7-27K8	25491	96	27402	103	26766	101	26244	95	26553	100	27615	104	277
NV-2-128L-7-30K7	29680	112	30740	116	29945	113	32679	118	29680	112	31005	117	277
NV-2-128L-7-30K8	27563	104	28548	108	27809	105	28322	102	27563	104	28794	109	277
NV-2-128L-7-35K8	27563	104	28548	108	27809	105	28422	103	27563	104	28794	109	277
NV-2-128L-7-40K7	30740	116	33125	125	32065	121	33517	121	31800	120	33390	126	277
NV-2-128L-7-40K8	28453	107	30661	116	29680	112	30165	109	29435	111	30906	117	277
NV-2-128L-7-50K7	31800	120	33125	125	33390	126	33517	121	31800	120	33390	126	277
NV-2-128L-7-50K8	29435	111	30661	116	30906	117	30165	109	29435	111	30906	117	277
NV-2-128L-1-27K7	42012	103	41662	102	40613	99	41479	100	44813	110	44113	108	415
NV-2-128L-1-27K8	39342	96	39014	95	38032	93	38665	93	41965	103	41310	101	415
NV-2-128L-1-30K7	45808	112	43763	107	42536	104	48146	116	47035	115	45399	111	415
NV-2-128L-1-30K8	42541	104	40642	99	39502	97	41726	101	43680	107	42161	103	415
NV-2-128L-1-35K8	42541	104	40642	99	39502	97	41874	101	43680	107	42161	103	415
NV-2-128L-1-40K7	47444	116	47035	115	45808	112	49380	119	49898	122	48671	119	415
NV-2-128L-1-40K8	43915	107	43536	106	42401	104	44442	107	46186	113	45051	110	415
NV-2-128L-1-50K7	47444	116	48671	119	45808	112	49380	119	49898	122	48671	119	415
NV-2-128L-1-50K8	43915	107	45051	110	42401	104	44442	107	46186	113	45051	110	415
NV-2-128L-12-27K7	49080	105	47614	102	46414	99	46585	98	47214	101	48015	103	474
NV-2-128L-12-27K8	45961	98	44588	95	43464	93	43424	92	44213	95	44964	96	474
NV-2-128L-12-30K7	52352	112	50015	107	48613	104	54072	114	48144	103	50483	108	474
NV-2-128L-12-30K8	48618	104	46448	99	45146	97	46862	99	44710	96	46883	100	474
NV-2-128L-12-35K8	48618	104	46448	99	45146	97	47028	99	44710	96	46883	100	474
NV-2-128L-12-40K7	54222	116	53754	115	52353	112	55458	117	51884	111	54222	116	474
NV-2-128L-12-40K8	50189	107	49756	107	48459	104	49912	105	48025	103	50189	107	474
NV-2-128L-12-50K7	54222	116	53754	115	52353	112	55458	117	51884	111	54222	116	474
NV-2-128L-12-50K8	50189	107	49756	107	48459	104	49912	105	48025	103	50189	107	474

# PRODUCT SPECIFICATIONS

LUMEN CHART PERFORMANCE T4FTW SILICONE MICRO OPTICS			
PART NUMBER	T4FTW	LPW	WATTAGE
NV-2-80L-7-27K7	16248	95	171
NV-2-80L-7-27K8	15215	89	171
NV-2-80L-7-30K7	17567	103	171
NV-2-80L-7-30K8	16314	95	171
NV-2-80L-7-35K8	16314	95	171
NV-2-80L-7-40K7	18981	111	171
NV-2-80L-7-40K8	17569	103	171
NV-2-80L-7-50K7	18981	111	171
NV-2-80L-7-50K8	17569	103	171
NV-2-80L-1-27K7	23796	93	256
NV-2-80L-1-27K8	22284	87	256
NV-2-80L-1-30K7	25728	101	256
NV-2-80L-1-30K8	23893	93	256
NV-2-80L-1-35K8	23893	93	256
NV-2-80L-1-40K7	27799	109	256
NV-2-80L-1-40K8	25731	101	256
NV-2-80L-1-50K7	27799	109	256
NV-2-80L-1-50K8	25731	101	256
NV-2-96L-7-27K7	17016	88	193
NV-2-96L-7-27K8	15935	83	193
NV-2-96L-7-30K7	18398	95	193
NV-2-96L-7-30K8	17086	89	193
NV-2-96L-7-35K8	17086	89	193
NV-2-96L-7-40K7	19879	103	193
NV-2-96L-7-40K8	18400	95	193
NV-2-96L-7-50K7	19879	103	193
NV-2-96L-7-50K8	18400	95	193
NV-2-96L-1A-27K7	24984	86	289
NV-2-96L-1A-27K8	23396	81	289
NV-2-96L-1A-30K7	27013	93	289
NV-2-96L-1A-30K8	25086	87	289
NV-2-96L-1A-35K8	25086	87	289
NV-2-96L-1A-40K7	29187	101	289
NV-2-96L-1A-40K8	27016	93	289
NV-2-96L-1A-50K7	29187	101	289
NV-2-96L-1A-50K8	27016	93	289

LUMEN CHART PERFORMANCE T5W SILICONE MICRO OPTICS			
PART NUMBER	T5W	LPW	WATTAGE
NV-2-80L-7-27K7	19761	116	171
NV-2-80L-7-27K8	18505	108	171
NV-2-80L-7-30K7	21365	125	171
NV-2-80L-7-30K8	19841	116	171
NV-2-80L-7-35K8	19841	116	171
NV-2-80L-7-40K7	23085	135	171
NV-2-80L-7-40K8	21368	125	171
NV-2-80L-7-50K7	23085	135	171
NV-2-80L-7-50K8	21368	125	171
NV-2-80L-1-27K7	27062	106	256
NV-2-80L-1-27K8	25342	99	256
NV-2-80L-1-30K7	29259	114	256
NV-2-80L-1-30K8	27172	106	256
NV-2-80L-1-35K8	27172	106	256
NV-2-80L-1-40K7	31614	123	256
NV-2-80L-1-40K8	29262	114	256
NV-2-80L-1-50K7	31614	123	256
NV-2-80L-1-50K8	29262	114	256
NV-2-96L-7-27K7	22799	118	193
NV-2-96L-7-27K8	21350	111	193
NV-2-96L-7-30K7	24650	128	193
NV-2-96L-7-30K8	22892	119	193
NV-2-96L-7-35K8	22892	119	193
NV-2-96L-7-40K7	26634	138	193
NV-2-96L-7-40K8	24653	128	193
NV-2-96L-7-50K7	26634	138	193
NV-2-96L-7-50K8	24653	128	193
NV-2-96L-1A-27K7	31192	108	290
NV-2-96L-1A-27K8	29210	101	290
NV-2-96L-1A-30K7	33724	116	290
NV-2-96L-1A-30K8	31319	108	290
NV-2-96L-1A-35K8	31319	108	290
NV-2-96L-1A-40K7	36439	126	290
NV-2-96L-1A-40K8	33729	116	290
NV-2-96L-1A-50K7	36439	126	290
NV-2-96L-1A-50K8	33729	116	290

# PRODUCT SPECIFICATIONS

**LUMEN CHART PERFORMANCE T4FTW SILICONE MICRO OPTICS**

PART NUMBER	T4FTW	LPW	WATTAGE
NV-2-112L-7-27K7	21217	87	243
NV-2-112L-7-27K8	19869	82	243
NV-2-112L-7-30K7	22939	94	243
NV-2-112L-7-30K8	21303	88	243
NV-2-112L-7-35K8	21303	88	243
NV-2-112L-7-40K7	24786	102	243
NV-2-112L-7-40K8	22942	94	243
NV-2-112L-7-50K7	24786	102	243
NV-2-112L-7-50K8	22942	94	243
NV-2-112L-1-27K7	30391	85	357
NV-2-112L-1-27K8	28460	80	357
NV-2-112L-1-30K7	32858	92	357
NV-2-112L-1-30K8	30515	85	357
NV-2-112L-1-35K8	30515	85	357
NV-2-112L-1-40K7	35504	99	357
NV-2-112L-1-40K8	32863	92	357
NV-2-112L-1-50K7	35504	99	357
NV-2-112L-1-50K8	32863	92	357
NV-2-128L-35-27K7	15233	110	138
NV-2-128L-35-27K8	14265	103	138
NV-2-128L-35-30K7	16469	119	138
NV-2-128L-35-30K8	15294	111	138
NV-2-128L-35-35K8	15294	111	138
NV-2-128L-35-40K7	17795	129	138
NV-2-128L-35-40K8	16471	119	138
NV-2-128L-35-50K7	17795	129	138
NV-2-128L-35-50K8	16471	119	138
NV-2-128L-53-27K7	21795	105	207
NV-2-128L-53-27K8	20410	99	207
NV-2-128L-53-30K7	23564	114	207
NV-2-128L-53-30K8	21883	106	207
NV-2-128L-53-35K8	21883	106	207
NV-2-128L-53-40K7	25461	123	207
NV-2-128L-53-40K8	23567	114	207
NV-2-128L-53-50K7	25461	123	207
NV-2-128L-53-50K8	23567	114	207

**LUMEN CHART PERFORMANCE T5W SILICONE MICRO OPTICS**

PART NUMBER	T5W	LPW	WATTAGE
NV-2-112L-7-27K7	27873	115	243
NV-2-112L-7-27K8	26102	107	243
NV-2-112L-7-30K7	30136	124	243
NV-2-112L-7-30K8	27987	115	243
NV-2-112L-7-35K8	27987	115	243
NV-2-112L-7-40K7	32562	134	243
NV-2-112L-7-40K8	30140	124	243
NV-2-112L-7-50K7	32562	134	243
NV-2-112L-7-50K8	30140	124	243
NV-2-112L-1-27K7	38244	105	365
NV-2-112L-1-27K8	35814	98	365
NV-2-112L-1-30K7	41349	113	365
NV-2-112L-1-30K8	38400	105	365
NV-2-112L-1-35K8	38400	105	365
NV-2-112L-1-40K7	44678	122	365
NV-2-112L-1-40K8	41355	113	365
NV-2-112L-1-50K7	44678	122	365
NV-2-112L-1-50K8	41355	113	365
NV-2-128L-35-27K7	17326	127	136
NV-2-128L-35-27K8	16225	119	136
NV-2-128L-35-30K7	18733	138	136
NV-2-128L-35-30K8	17397	128	136
NV-2-128L-35-35K8	17397	128	136
NV-2-128L-35-40K7	20241	149	136
NV-2-128L-35-40K8	18735	138	136
NV-2-128L-35-50K7	20241	149	136
NV-2-128L-35-50K8	18735	138	136
NV-2-128L-53-27K7	26852	130	207
NV-2-128L-53-27K8	25145	121	207
NV-2-128L-53-30K7	29032	140	207
NV-2-128L-53-30K8	26961	130	207
NV-2-128L-53-35K8	26961	130	207
NV-2-128L-53-40K7	31369	152	207
NV-2-128L-53-40K8	29036	140	207
NV-2-128L-53-50K7	31369	152	207
NV-2-128L-53-50K8	29036	140	207

# PRODUCT SPECIFICATIONS

LUMEN CHART PERFORMANCE T4FTW SILICONE MICRO OPTICS			
PART NUMBER	T4FTW	LPW	WATTAGE
NV-2-128L-7-27K7	27142	100	271
NV-2-128L-7-27K8	25417	94	271
NV-2-128L-7-30K7	29346	108	271
NV-2-128L-7-30K8	27253	101	271
NV-2-128L-7-35K8	27253	101	271
NV-2-128L-7-40K7	31708	117	271
NV-2-128L-7-40K8	29349	108	271
NV-2-128L-7-50K7	31708	117	271
NV-2-128L-7-50K8	29349	108	271
NV-2-128L-1-27K7	40431	99	410
NV-2-128L-1-27K8	37862	92	410
NV-2-128L-1-30K7	43714	107	410
NV-2-128L-1-30K8	40596	99	410
NV-2-128L-1-35K8	40596	99	410
NV-2-128L-1-40K7	47233	115	410
NV-2-128L-1-40K8	43720	107	410
NV-2-128L-1-50K7	47233	115	410
NV-2-128L-1-50K8	43720	107	410
NV-2-128L-12-27K7	41574	89	467
NV-2-128L-12-27K8	38932	83	467
NV-2-128L-12-30K7	44950	96	467
NV-2-128L-12-30K8	41744	89	467
NV-2-128L-12-35K8	41744	89	467
NV-2-128L-12-40K7	48568	104	467
NV-2-128L-12-40K8	44955	96	467
NV-2-128L-12-50K7	48568	104	467
NV-2-128L-12-50K8	44955	96	467

LUMEN CHART PERFORMANCE T5W SILICONE MICRO OPTICS			
PART NUMBER	T5W	LPW	WATTAGE
NV-2-128L-7-27K7	33396	122	274
NV-2-128L-7-27K8	31274	114	274
NV-2-128L-7-30K7	36107	132	274
NV-2-128L-7-30K8	33532	122	274
NV-2-128L-7-35K8	33532	122	274
NV-2-128L-7-40K7	39014	142	274
NV-2-128L-7-40K8	36112	132	274
NV-2-128L-7-50K7	39014	142	274
NV-2-128L-7-50K8	36112	132	274
NV-2-128L-1-27K7	45473	111	409
NV-2-128L-1-27K8	42583	104	409
NV-2-128L-1-30K7	49165	120	409
NV-2-128L-1-30K8	45659	112	409
NV-2-128L-1-35K8	45659	112	409
NV-2-128L-1-40K7	53123	130	409
NV-2-128L-1-40K8	49171	120	409
NV-2-128L-1-50K7	53123	130	409
NV-2-128L-1-50K8	49171	120	409
NV-2-128L-12-27K7	46771	100	467
NV-2-128L-12-27K8	43799	94	467
NV-2-128L-12-30K7	50568	108	467
NV-2-128L-12-30K8	46961	101	467
NV-2-128L-12-35K8	46961	101	467
NV-2-128L-12-40K7	54639	117	467
NV-2-128L-12-40K8	50575	108	467
NV-2-128L-12-50K7	54639	117	467
NV-2-128L-12-50K8	50575	108	467

# PRODUCT SPECIFICATIONS

LUMEN CHART T4AF AUTOMOTIVE FORWARD			
PART NUMBER	T4AF	LPW	WATTAGE
NV-2-128L-35-27K7	13937	102	136
NV-2-128L-35-27K8	12228	90	136
NV-2-128L-35-30K7	16177	119	136
NV-2-128L-35-30K8	12875	95	136
NV-2-128L-35-35K8	13274	98	136
NV-2-128L-35-40K7	16592	122	136
NV-2-128L-35-40K8	13771	101	136
NV-2-128L-35-50K7	16592	122	136
NV-2-128L-35-50K8	13771	101	136
NV-2-128L-53-27K7	20073	97	206
NV-2-128L-53-27K8	17611	85	206
NV-2-128L-53-30K7	23299	113	206
NV-2-128L-53-30K8	18543	90	206
NV-2-128L-53-35K8	19117	93	206
NV-2-128L-53-40K7	23896	116	206
NV-2-128L-53-40K8	19834	96	206
NV-2-128L-53-50K7	23896	116	206
NV-2-128L-53-50K8	19834	96	206
NV-2-128L-7-27K7	25225	92	273
NV-2-128L-7-27K8	22132	81	273
NV-2-128L-7-30K7	29279	107	273
NV-2-128L-7-30K8	23303	85	273
NV-2-128L-7-35K8	24024	88	273
NV-2-128L-7-40K7	30030	110	273
NV-2-128L-7-40K8	24925	91	273
NV-2-128L-7-50K7	30030	110	273
NV-2-128L-7-50K8	24925	91	273
NV-2-128L-85-27K7	30306	92	331
NV-2-128L-85-27K8	26590	80	331
NV-2-128L-85-30K7	35177	106	331
NV-2-128L-85-30K8	27997	85	331
NV-2-128L-85-35K8	28863	87	331
NV-2-128L-85-40K7	36079	109	331
NV-2-128L-85-40K8	29946	90	331
NV-2-128L-85-50K7	36079	109	331
NV-2-128L-85-50K8	29946	90	331
NV-2-128L-1-27K7	37040	91	409
NV-2-128L-1-27K8	32498	79	409
NV-2-128L-1-30K7	42993	105	409
NV-2-128L-1-30K8	34218	84	409
NV-2-128L-1-35K8	35276	86	409
NV-2-128L-1-40K7	44095	108	409
NV-2-128L-1-40K8	36599	89	409
NV-2-128L-1-50K7	44095	108	409
NV-2-128L-1-50K8	36599	89	409
NV-2-128L-12-27K7	42331	91	467
NV-2-128L-12-27K8	37140	80	467
NV-2-128L-12-30K7	49134	105	467
NV-2-128L-12-30K8	39106	84	467
NV-2-128L-12-35K8	40315	86	467
NV-2-128L-12-40K7	50394	108	467
NV-2-128L-12-40K8	41827	90	467
NV-2-128L-12-50K7	50394	108	467
NV-2-128L-12-50K8	41827	90	467

LUMEN CHART T4AL AUTOMOTIVE LEFT			
PART NUMBER	T4AL	LPW	WATTAGE
NV-2-128L-35-27K7	14394	106	136
NV-2-128L-35-27K8	12629	93	136
NV-2-128L-35-30K7	16708	123	136
NV-2-128L-35-30K8	13298	98	136
NV-2-128L-35-35K8	13709	101	136
NV-2-128L-35-40K7	17136	126	136
NV-2-128L-35-40K8	14223	105	136
NV-2-128L-35-50K7	17136	126	136
NV-2-128L-35-50K8	14223	105	136
NV-2-128L-53-27K7	20765	101	206
NV-2-128L-53-27K8	18219	88	206
NV-2-128L-53-30K7	24102	117	206
NV-2-128L-53-30K8	19183	93	206
NV-2-128L-53-35K8	19776	96	206
NV-2-128L-53-40K7	24720	120	206
NV-2-128L-53-40K8	20518	100	206
NV-2-128L-53-50K7	24720	120	206
NV-2-128L-53-50K8	20518	100	206
NV-2-128L-7-27K7	26142	96	273
NV-2-128L-7-27K8	22937	84	273
NV-2-128L-7-30K7	30344	111	273
NV-2-128L-7-30K8	24151	88	273
NV-2-128L-7-35K8	24898	91	273
NV-2-128L-7-40K7	31122	114	273
NV-2-128L-7-40K8	25831	95	273
NV-2-128L-7-50K7	31122	114	273
NV-2-128L-7-50K8	25831	95	273
NV-2-128L-85-27K7	31419	95	331
NV-2-128L-85-27K8	27566	83	331
NV-2-128L-85-30K7	36468	110	331
NV-2-128L-85-30K8	29025	88	331
NV-2-128L-85-35K8	29922	90	331
NV-2-128L-85-40K7	37403	113	331
NV-2-128L-85-40K8	31044	94	331
NV-2-128L-85-50K7	37403	113	331
NV-2-128L-85-50K8	31044	94	331
NV-2-128L-1-27K7	38329	94	409
NV-2-128L-1-27K8	33629	82	409
NV-2-128L-1-30K7	44489	109	409
NV-2-128L-1-30K8	35409	87	409
NV-2-128L-1-35K8	36504	89	409
NV-2-128L-1-40K7	45630	112	409
NV-2-128L-1-40K8	37873	93	409
NV-2-128L-1-50K7	45630	112	409
NV-2-128L-1-50K8	37873	93	409
NV-2-128L-12-27K7	43805	94	467
NV-2-128L-12-27K8	38434	82	467
NV-2-128L-12-30K7	50845	109	467
NV-2-128L-12-30K8	40468	87	467
NV-2-128L-12-35K8	41719	89	467
NV-2-128L-12-40K7	52149	112	467
NV-2-128L-12-40K8	43284	93	467
NV-2-128L-12-50K7	52149	112	467
NV-2-128L-12-50K8	43284	93	467

LUMEN CHART T4AR AUTOMOTIVE RIGHT			
PART NUMBER	T4AR	LPW	WATTAGE
NV-2-128L-35-27K7	14394	106	136
NV-2-128L-35-27K8	12629	93	136
NV-2-128L-35-30K7	16708	123	136
NV-2-128L-35-30K8	13298	98	136
NV-2-128L-35-35K8	13709	101	136
NV-2-128L-35-40K7	17136	126	136
NV-2-128L-35-40K8	14223	105	136
NV-2-128L-35-50K7	17136	126	136
NV-2-128L-35-50K8	14223	105	136
NV-2-128L-53-27K7	20765	101	206
NV-2-128L-53-27K8	18219	88	206
NV-2-128L-53-30K7	24102	117	206
NV-2-128L-53-30K8	19183	93	206
NV-2-128L-53-35K8	19776	96	206
NV-2-128L-53-40K7	24720	120	206
NV-2-128L-53-40K8	20518	100	206
NV-2-128L-53-50K7	24720	120	206
NV-2-128L-53-50K8	20518	100	206
NV-2-128L-7-27K7	26142	96	273
NV-2-128L-7-27K8	22937	84	273
NV-2-128L-7-30K7	30344	111	273
NV-2-128L-7-30K8	24151	88	273
NV-2-128L-7-35K8	24898	91	273
NV-2-128L-7-40K7	31122	114	273
NV-2-128L-7-40K8	25831	95	273
NV-2-128L-7-50K7	31122	114	273
NV-2-128L-7-50K8	25831	95	273
NV-2-128L-85-27K7	31419	95	331
NV-2-128L-85-27K8	27566	83	331
NV-2-128L-85-30K7	36468	110	331
NV-2-128L-85-30K8	29025	88	331
NV-2-128L-85-35K8	29922	90	331
NV-2-128L-85-40K7	37403	113	331
NV-2-128L-85-40K8	31044	94	331
NV-2-128L-85-50K7	37403	113	331
NV-2-128L-85-50K8	31044	94	331
NV-2-128L-1-27K7	38329	94	409
NV-2-128L-1-27K8	33629	82	409
NV-2-128L-1-30K7	44489	109	409
NV-2-128L-1-30K8	35409	87	409
NV-2-128L-1-35K8	36504	89	409
NV-2-128L-1-40K7	45630	112	409
NV-2-128L-1-40K8	37873	93	409
NV-2-128L-1-50K7	45630	112	409
NV-2-128L-1-50K8	37873	93	409
NV-2-128L-12-27K7	43805	94	467
NV-2-128L-12-27K8	38434	82	467
NV-2-128L-12-30K7	50845	109	467
NV-2-128L-12-30K8	40468	87	467
NV-2-128L-12-35K8	41719	89	467
NV-2-128L-12-40K7	52149	112	467
NV-2-128L-12-40K8	43284	93	467
NV-2-128L-12-50K7	52149	112	467
NV-2-128L-12-50K8	43284	93	467



701 Kingshill Place, Carson, CA 90746  
 Call Us Today (310) 341-2037

[nlsighting.com](http://nlsighting.com)

# PRODUCT SPECIFICATIONS

## HSS LUMEN CHARTS

LUMEN CHART STANDARD SILICONE MICRO OPTICS W/HSS							
PART NUMBER	T2 HSS	LPW	T3 HSS	LPW	T4 HSS	LPW	WATTAGE
NV-2-80L-7-27K7-HSS	12131	72	11692	70	11752	70	168
NV-2-80L-7-27K8-HSS	11360	68	10949	65	11005	66	168
NV-2-80L-7-30K7-HSS	13116	78	12642	75	12706	76	168
NV-2-80L-7-30K8-HSS	12181	73	11740	70	11800	70	168
NV-2-80L-7-35K8-HSS	12181	73	11740	70	11800	70	168
NV-2-80L-7-40K7-HSS	14172	84	13659	81	13729	82	168
NV-2-80L-7-40K8-HSS	13118	78	12643	75	12708	76	168
NV-2-80L-7-50K7-HSS	14172	84	13659	81	13729	82	168
NV-2-80L-7-50K8-HSS	13118	78	12643	75	12708	76	168
NV-2-80L-1-27K7-HSS	18197	69	17538	67	17628	67	263
NV-2-80L-1-27K8-HSS	17041	65	16423	62	16508	63	263
NV-2-80L-1-30K7-HSS	19674	75	18962	72	19060	72	263
NV-2-80L-1-30K8-HSS	18271	69	17610	67	17701	67	263
NV-2-80L-1-35K8-HSS	18271	69	17610	67	17701	67	263
NV-2-80L-1-40K7-HSS	21258	81	20489	78	20594	78	263
NV-2-80L-1-40K8-HSS	19677	75	18965	72	19062	72	263
NV-2-80L-1-50K7-HSS	21258	81	20489	78	20594	78	263
NV-2-80L-1-50K8-HSS	19677	75	18965	72	19062	72	263
NV-2-96L-7-27K7-HSS	14557	73	14031	70	14103	71	200
NV-2-96L-7-27K8-HSS	13632	68	13139	66	13207	66	200
NV-2-96L-7-30K7-HSS	15740	79	15170	76	15248	76	200
NV-2-96L-7-30K8-HSS	14617	73	14088	70	14160	71	200
NV-2-96L-7-35K8-HSS	14617	73	14088	70	14160	71	200
NV-2-96L-7-40K7-HSS	17007	85	16391	82	16475	82	200
NV-2-96L-7-40K8-HSS	15742	79	15172	76	15250	76	200
NV-2-96L-7-50K7-HSS	17007	85	16391	82	16475	82	200
NV-2-96L-7-50K8-HSS	15742	79	15172	76	15250	76	200
NV-2-96L-1-27K7-HSS	21836	69	21046	67	21154	67	316
NV-2-96L-1-27K8-HSS	20448	65	19708	62	19810	63	316
NV-2-96L-1-30K7-HSS	23609	75	22755	72	22871	72	316
NV-2-96L-1-30K8-HSS	21925	69	21132	67	21240	67	316
NV-2-96L-1-35K8-HSS	21925	69	21132	67	21240	67	316
NV-2-96L-1-40K7-HSS	25510	81	24587	78	24713	78	316
NV-2-96L-1-40K8-HSS	23612	75	22758	72	22875	72	316
NV-2-96L-1-50K7-HSS	25510	81	24587	78	24713	78	316
NV-2-96L-1-50K8-HSS	23612	75	22758	72	22875	72	316

# PRODUCT SPECIFICATIONS

LUMEN CHART STANDARD SILICONE MICRO OPTICS							
PART NUMBER	T2 HSS	LPW	T3 HSS	LPW	T4 HSS	LPW	WATTAGE
NV-2-112L-7-27K7-HSS	16984	70	16369	67	16453	68	243
NV-2-112L-7-27K8-HSS	15905	65	15329	63	15407	63	243
NV-2-112L-7-30K7-HSS	18363	76	17698	73	17789	73	243
NV-2-112L-7-30K8-HSS	17053	70	16436	68	16520	68	243
NV-2-112L-7-35K8-HSS	17053	70	16436	68	16520	68	243
NV-2-112L-7-40K7-HSS	19841	82	19123	79	19221	79	243
NV-2-112L-7-40K8-HSS	18365	76	17701	73	17791	73	243
NV-2-112L-7-50K7-HSS	19841	82	19123	79	19221	79	243
NV-2-112L-7-50K8-HSS	18365	76	17701	73	17791	73	243
NV-2-112L-1-27K7-HSS	25476	70	24554	67	24679	67	366
NV-2-112L-1-27K8-HSS	23857	65	22994	63	23111	63	366
NV-2-112L-1-30K7-HSS	27544	75	26547	73	26683	73	366
NV-2-112L-1-30K8-HSS	25580	70	24654	67	24780	68	366
NV-2-112L-1-35K8-HSS	25580	70	24654	67	24780	68	366
NV-2-112L-1-40K7-HSS	29761	81	28684	78	28831	79	366
NV-2-112L-1-40K8-HSS	27547	75	26550	73	26686	73	366
NV-2-112L-1-50K7-HSS	29761	81	28684	78	28831	79	366
NV-2-112L-1-50K8-HSS	27547	75	26550	73	26686	73	366

# PRODUCT SPECIFICATIONS

LUMEN CHART STANDARD SILICONE MICRO OPTICS W/HSS							
PART NUMBER	T2 HSS	LPW	T3 HSS	LPW	T4 HSS	LPW	WATTAGE
NV-2-128L-35-27K7-HSS	11313	82	10903	79	10959	79	138
NV-2-128L-35-27K8-HSS	10594	77	10211	74	10263	74	138
NV-2-128L-35-30K7-HSS	12231	89	11789	85	11849	86	138
NV-2-128L-35-30K8-HSS	11359	82	10948	79	11004	80	138
NV-2-128L-35-35K8-HSS	11359	82	10948	79	11004	80	138
NV-2-128L-35-40K7-HSS	13216	96	12738	92	12803	93	138
NV-2-128L-35-40K8-HSS	12233	89	11790	85	11851	86	138
NV-2-128L-35-50K7-HSS	13216	96	12738	92	12803	93	138
NV-2-128L-35-50K8-HSS	12233	89	11790	85	11851	86	138
NV-2-128L-53-27K7-HSS	15944	77	15366	74	15445	75	207
NV-2-128L-53-27K8-HSS	14930	72	14390	70	14464	70	207
NV-2-128L-53-30K7-HSS	17238	83	16614	80	16699	81	207
NV-2-128L-53-30K8-HSS	16008	77	15429	75	15508	75	207
NV-2-128L-53-35K8-HSS	16008	77	15429	75	15508	75	207
NV-2-128L-53-40K7-HSS	18626	90	17952	87	18044	87	207
NV-2-128L-53-40K8-HSS	17240	83	16616	80	16701	81	207
NV-2-128L-53-50K7-HSS	18626	90	17952	87	18044	87	207
NV-2-128L-53-50K8-HSS	17240	83	16616	80	16701	81	207
NV-2-128L-7-27K7-HSS	19410	73	18707	71	18803	71	265
NV-2-128L-7-27K8-HSS	18176	69	17518	66	17608	66	265
NV-2-128L-7-30K7-HSS	20986	79	20226	76	20330	77	265
NV-2-128L-7-30K8-HSS	19489	74	18783	71	18880	71	265
NV-2-128L-7-35K8-HSS	19489	74	18783	71	18880	71	265
NV-2-128L-7-40K7-HSS	22675	86	21855	82	21967	83	265
NV-2-128L-7-40K8-HSS	20988	79	20229	76	20333	77	265
NV-2-128L-7-50K7-HSS	22675	86	21855	82	21967	83	265
NV-2-128L-7-50K8-HSS	20988	79	20229	76	20333	77	265
NV-2-128L-1-27K7-HSS	29115	71	28061	69	28205	69	409
NV-2-128L-1-27K8-HSS	27265	67	26278	64	26413	65	409
NV-2-128L-1-30K7-HSS	31479	77	30340	74	30495	75	409
NV-2-128L-1-30K8-HSS	29234	71	28176	69	28320	69	409
NV-2-128L-1-35K8-HSS	29234	71	28176	69	28320	69	409
NV-2-128L-1-40K7-HSS	34013	83	32782	80	32950	81	409
NV-2-128L-1-40K8-HSS	31483	77	30344	74	30499	75	409
NV-2-128L-1-50K7-HSS	34013	83	32782	80	32950	81	409
NV-2-128L-1-50K8-HSS	31483	77	30344	74	30499	75	409

# PRODUCT SPECIFICATIONS

**LUMEN CHART PERFORMANCE T4FTW SILICONE MICRO OPTICS W/HSS**

PART NUMBER	T4FTW-HSS	LPW	WATTAGE
NV-2-80L-7-27K7-HSS	12003	70	171
NV-2-80L-7-27K8-HSS	11240	66	171
NV-2-80L-7-30K7-HSS	12977	76	171
NV-2-80L-7-30K8-HSS	12051	70	171
NV-2-80L-7-35K8-HSS	12051	70	171
NV-2-80L-7-40K7-HSS	14022	82	171
NV-2-80L-7-40K8-HSS	12979	76	171
NV-2-80L-7-50K7-HSS	14022	82	171
NV-2-80L-7-50K8-HSS	12979	76	171
NV-2-80L-1-27K7-HSS	17531	68	256
NV-2-80L-1-27K8-HSS	16417	64	256
NV-2-80L-1-30K7-HSS	18954	74	256
NV-2-80L-1-30K8-HSS	17602	69	256
NV-2-80L-1-35K8-HSS	17602	69	256
NV-2-80L-1-40K7-HSS	20480	80	256
NV-2-80L-1-40K8-HSS	18957	74	256
NV-2-80L-1-50K7-HSS	20480	80	256
NV-2-80L-1-50K8-HSS	18957	74	256
NV-2-96L-7-27K7-HSS	12225	63	193
NV-2-96L-7-27K8-HSS	11448	59	193
NV-2-96L-7-30K7-HSS	13218	68	193
NV-2-96L-7-30K8-HSS	12275	64	193
NV-2-96L-7-35K8-HSS	12275	64	193
NV-2-96L-7-40K7-HSS	14282	74	193
NV-2-96L-7-40K8-HSS	13220	68	193
NV-2-96L-7-50K7-HSS	14282	74	193
NV-2-96L-7-50K8-HSS	13220	68	193
NV-2-96L-1-27K7-HSS	17873	62	290
NV-2-96L-1-27K8-HSS	16737	58	290
NV-2-96L-1-30K7-HSS	19324	67	290
NV-2-96L-1-30K8-HSS	17946	62	290
NV-2-96L-1-35K8-HSS	17946	62	290
NV-2-96L-1-40K7-HSS	20880	72	290
NV-2-96L-1-40K8-HSS	19327	67	290
NV-2-96L-1-50K7-HSS	20880	72	290
NV-2-96L-1-50K8-HSS	19327	67	290

**LUMEN CHART PERFORMANCE T5W SILICONE MICRO OPTICS**

PART NUMBER	T4FTW-HSS	LPW	WATTAGE
NV-2-112L-7-27K7-HSS	15185	62	243
NV-2-112L-7-27K8-HSS	14220	59	243
NV-2-112L-7-30K7-HSS	16417	68	243
NV-2-112L-7-30K8-HSS	15246	63	243
NV-2-112L-7-35K8-HSS	15246	63	243
NV-2-112L-7-40K7-HSS	17739	73	243
NV-2-112L-7-40K8-HSS	16420	68	243
NV-2-112L-7-50K7-HSS	17739	73	243
NV-2-112L-7-50K8-HSS	16420	68	243
NV-2-112L-1-27K7-HSS	21636	61	356
NV-2-112L-1-27K8-HSS	20261	57	356
NV-2-112L-1-30K7-HSS	23393	66	356
NV-2-112L-1-30K8-HSS	21725	61	356
NV-2-112L-1-35K8-HSS	21725	61	356
NV-2-112L-1-40K7-HSS	25276	71	356
NV-2-112L-1-40K8-HSS	23396	66	356
NV-2-112L-1-50K7-HSS	25276	71	356
NV-2-112L-1-50K8-HSS	23396	66	356
NV-2-128L-35-27K7-HSS	10632	77	138
NV-2-128L-35-27K8-HSS	9956	72	138
NV-2-128L-35-30K7-HSS	11495	83	138
NV-2-128L-35-30K8-HSS	10675	77	138
NV-2-128L-35-35K8-HSS	10675	77	138
NV-2-128L-35-40K7-HSS	12420	90	138
NV-2-128L-35-40K8-HSS	11496	83	138
NV-2-128L-35-50K7-HSS	12420	90	138
NV-2-128L-35-50K8-HSS	11496	83	138
NV-2-128L-53-27K7-HSS	14884	72	207
NV-2-128L-53-27K8-HSS	13938	67	207
NV-2-128L-53-30K7-HSS	16093	78	207
NV-2-128L-53-30K8-HSS	14945	72	207
NV-2-128L-53-35K8-HSS	14945	72	207
NV-2-128L-53-40K7-HSS	17388	84	207
NV-2-128L-53-40K8-HSS	16095	78	207
NV-2-128L-53-50K7-HSS	17388	84	207
NV-2-128L-53-50K8-HSS	16095	78	207

**LUMEN CHART PERFORMANCE T4FTW SILICONE MICRO OPTICS W/HSS**

PART NUMBER	T4FTW-HSS	LPW	WATTAGE
NV-2-128L-7-27K7-HSS	18094	67	271
NV-2-128L-7-27K8-HSS	16944	63	271
NV-2-128L-7-30K7-HSS	19563	72	271
NV-2-128L-7-30K8-HSS	18168	67	271
NV-2-128L-7-35K8-HSS	18168	67	271
NV-2-128L-7-40K7-HSS	21138	78	271
NV-2-128L-7-40K8-HSS	19566	72	271
NV-2-128L-7-50K7-HSS	21138	78	271
NV-2-128L-7-50K8-HSS	19566	72	271
NV-2-128L-1-27K7-HSS	26751	65	409
NV-2-128L-1-27K8-HSS	25051	61	409
NV-2-128L-1-30K7-HSS	28923	71	409
NV-2-128L-1-30K8-HSS	26860	66	409
NV-2-128L-1-35K8-HSS	26860	66	409
NV-2-128L-1-40K7-HSS	31251	76	409
NV-2-128L-1-40K8-HSS	28926	71	409
NV-2-128L-1-50K7-HSS	31251	76	409
NV-2-128L-1-50K8-HSS	28926	71	409



701 Kingshill Place, Carson, CA 90746  
Call Us Today (310) 341-2037

[nlsighting.com](http://nlsighting.com)

# PRODUCT SPECIFICATIONS

## BUG RATINGS

BUG RATING CHART STANDARD SILICONE MICRO OPTICS						
PART NUMBER	N3	T2	T3	T3M	T4	T5
NV-2-80L-7-27K7	B5-U0-G2	B3-U0-G3	B3-U0-G3	B3-U0-G4	B3-U0-G3	B5-U0-G3
NV-2-80L-7-27K8	B5-U0-G2	B3-U0-G3	B3-U0-G3	B3-U0-G4	B3-U0-G3	B5-U0-G3
NV-2-80L-7-30K7	B5-U0-G2	B3-U0-G3	B3-U0-G3	B3-U0-G5	B3-U0-G3	B5-U0-G3
NV-2-80L-7-30K8	B5-U0-G2	B3-U0-G3	B3-U0-G3	B3-U0-G4	B3-U0-G3	B5-U0-G3
NV-2-80L-7-35K8	B5-U0-G2	B3-U0-G3	B3-U0-G3	B3-U0-G4	B3-U0-G3	B5-U0-G3
NV-2-80L-7-40K7	B5-U0-G2	B3-U0-G3	B3-U0-G3	B3-U0-G5	B3-U0-G3	B5-U0-G3
NV-2-80L-7-40K8	B5-U0-G2	B3-U0-G3	B3-U0-G3	B3-U0-G5	B3-U0-G3	B5-U0-G3
NV-2-80L-7-50K7	B5-U0-G2	B3-U0-G3	B3-U0-G3	B3-U0-G5	B3-U0-G3	B5-U0-G3
NV-2-80L-7-50K8	B5-U0-G2	B3-U0-G3	B3-U0-G3	B3-U0-G5	B3-U0-G3	B5-U0-G3
NV-2-80L-1-27K7	B5-U0-G2	B3-U0-G3	B3-U0-G4	B3-U0-G5	B3-U0-G4	B5-U0-G3
NV-2-80L-1-27K8	B5-U0-G2	B3-U0-G3	B3-U0-G4	B3-U0-G5	B3-U0-G4	B5-U0-G3
NV-2-80L-1-30K7	B5-U0-G2	B3-U0-G3	B3-U0-G4	B3-U0-G5	B3-U0-G4	B5-U0-G3
NV-2-80L-1-30K8	B5-U0-G2	B3-U0-G3	B3-U0-G4	B3-U0-G5	B3-U0-G4	B5-U0-G3
NV-2-80L-1-35K8	B5-U0-G2	B3-U0-G3	B3-U0-G4	B3-U0-G5	B3-U0-G4	B5-U0-G3
NV-2-80L-1-40K7	B5-U0-G2	B3-U0-G3	B3-U0-G4	B3-U0-G5	B3-U0-G4	B5-U0-G3
NV-2-80L-1-40K8	B5-U0-G2	B3-U0-G3	B3-U0-G4	B3-U0-G5	B3-U0-G4	B5-U0-G3
NV-2-80L-1-50K7	B5-U0-G2	B3-U0-G3	B3-U0-G4	B3-U0-G5	B3-U0-G4	B5-U0-G3
NV-2-80L-1-50K8	B5-U0-G2	B3-U0-G3	B3-U0-G4	B3-U0-G5	B3-U0-G4	B5-U0-G3
NV-2-96L-7-27K7	B5-U0-G2	B3-U0-G3	B3-U0-G3	B3-U0-G5	B3-U0-G3	B5-U0-G3
NV-2-96L-7-27K8	B5-U0-G2	B3-U0-G3	B3-U0-G3	B3-U0-G5	B3-U0-G3	B5-U0-G3
NV-2-96L-7-30K7	B5-U0-G2	B3-U0-G3	B3-U0-G3	B3-U0-G5	B3-U0-G3	B5-U0-G3
NV-2-96L-7-30K8	B5-U0-G2	B3-U0-G3	B3-U0-G3	B3-U0-G5	B3-U0-G3	B5-U0-G3
NV-2-96L-7-35K8	B5-U0-G2	B3-U0-G3	B3-U0-G3	B3-U0-G5	B3-U0-G3	B5-U0-G3
NV-2-96L-7-40K7	B5-U0-G2	B3-U0-G3	B3-U0-G3	B3-U0-G5	B3-U0-G3	B5-U0-G3
NV-2-96L-7-40K8	B5-U0-G2	B3-U0-G3	B3-U0-G3	B3-U0-G5	B3-U0-G3	B5-U0-G3
NV-2-96L-7-50K7	B5-U0-G2	B3-U0-G3	B3-U0-G3	B3-U0-G5	B3-U0-G3	B5-U0-G3
NV-2-96L-7-50K8	B5-U0-G2	B3-U0-G3	B3-U0-G3	B3-U0-G5	B3-U0-G3	B5-U0-G3
NV-2-96L-1-27K7	B5-U0-G3	B3-U0-G4	B3-U0-G4	B3-U0-G5	B3-U0-G4	B5-U0-G4
NV-2-96L-1-27K8	B5-U0-G3	B3-U0-G4	B3-U0-G4	B3-U0-G5	B3-U0-G4	B5-U0-G4
NV-2-96L-1-30K7	B5-U0-G3	B3-U0-G4	B3-U0-G4	B3-U0-G5	B3-U0-G4	B5-U0-G4
NV-2-96L-1-30K8	B5-U0-G3	B3-U0-G4	B3-U0-G4	B3-U0-G5	B3-U0-G4	B5-U0-G4
NV-2-96L-1-35K8	B5-U0-G3	B3-U0-G4	B3-U0-G4	B3-U0-G5	B3-U0-G4	B5-U0-G4
NV-2-96L-1-40K7	B5-U0-G3	B3-U0-G4	B3-U0-G4	B3-U0-G5	B3-U0-G4	B5-U0-G4
NV-2-96L-1-40K8	B5-U0-G3	B3-U0-G4	B3-U0-G4	B3-U0-G5	B3-U0-G4	B5-U0-G4
NV-2-96L-1-50K7	B5-U0-G3	B3-U0-G4	B3-U0-G4	B3-U0-G5	B3-U0-G4	B5-U0-G4
NV-2-96L-1-50K8	B5-U0-G3	B3-U0-G4	B3-U0-G4	B3-U0-G5	B3-U0-G4	B5-U0-G4
NV-2-112L-7-27K7	B5-U0-G3	B3-U0-G3	B3-U0-G3	B3-U0-G5	B3-U0-G4	B5-U0-G3
NV-2-112L-7-27K8	B5-U0-G3	B3-U0-G3	B3-U0-G3	B3-U0-G5	B3-U0-G4	B5-U0-G3
NV-2-112L-7-30K7	B5-U0-G3	B3-U0-G3	B3-U0-G3	B3-U0-G5	B3-U0-G4	B5-U0-G3
NV-2-112L-7-30K8	B5-U0-G3	B3-U0-G3	B3-U0-G3	B3-U0-G5	B3-U0-G4	B5-U0-G3

# PRODUCT SPECIFICATIONS

## BUG RATINGS

BUG RATING CHART STANDARD SILICONE MICRO OPTICS						
PART NUMBER	N3	T2	T3	T3M	T4	T5
NV-2-112L-7-35K8	B5-U0-G3	B3-U0-G3	B3-U0-G3	B3-U0-G5	B3-U0-G4	B5-U0-G3
NV-2-112L-7-40K7	B5-U0-G3	B3-U0-G3	B3-U0-G3	B3-U0-G5	B3-U0-G4	B5-U0-G3
NV-2-112L-7-40K8	B5-U0-G3	B3-U0-G3	B3-U0-G3	B3-U0-G5	B3-U0-G4	B5-U0-G3
NV-2-112L-7-50K7	B5-U0-G3	B3-U0-G3	B3-U0-G3	B3-U0-G5	B3-U0-G4	B5-U0-G3
NV-2-112L-7-50K8	B5-U0-G3	B3-U0-G3	B3-U0-G3	B3-U0-G5	B3-U0-G4	B5-U0-G3
NV-2-112L-1-27K7	B5-U0-G3	B4-U0-G4	B4-U0-G4	B3-U0-G5	B4-U0-G5	B5-U0-G4
NV-2-112L-1-27K8	B5-U0-G3	B4-U0-G4	B4-U0-G4	B3-U0-G5	B4-U0-G5	B5-U0-G4
NV-2-112L-1-30K7	B5-U0-G3	B4-U0-G4	B4-U0-G4	B4-U0-G5	B4-U0-G5	B5-U0-G4
NV-2-112L-1-30K8	B5-U0-G3	B4-U0-G4	B4-U0-G4	B3-U0-G5	B4-U0-G5	B5-U0-G4
NV-2-112L-1-35K8	B5-U0-G3	B4-U0-G4	B4-U0-G4	B3-U0-G5	B4-U0-G5	B5-U0-G4
NV-2-112L-1-40K7	B5-U0-G3	B4-U0-G4	B4-U0-G4	B4-U0-G5	B4-U0-G5	B5-U0-G4
NV-2-112L-1-40K8	B5-U0-G3	B4-U0-G4	B4-U0-G4	B4-U0-G5	B4-U0-G5	B5-U0-G4
NV-2-112L-1-50K7	B5-U0-G3	B4-U0-G4	B4-U0-G4	B4-U0-G5	B4-U0-G5	B5-U0-G4
NV-2-112L-1-50K8	B5-U0-G3	B4-U0-G4	B4-U0-G4	B4-U0-G5	B4-U0-G5	B5-U0-G4
NV-2-128L-35-27K7	-	-	-	B3-U0-G4	-	-
NV-2-128L-35-27K8	-	-	-	B3-U0-G4	-	-
NV-2-128L-35-30K7	-	-	-	B3-U0-G5	-	-
NV-2-128L-35-30K8	-	-	-	B3-U0-G4	-	-
NV-2-128L-35-35K8	-	-	-	B3-U0-G4	-	-
NV-2-128L-35-40K7	-	-	-	B3-U0-G5	-	-
NV-2-128L-35-40K8	-	-	-	B3-U0-G4	-	-
NV-2-128L-35-50K7	-	-	-	B3-U0-G5	-	-
NV-2-128L-35-50K8	-	-	-	B3-U0-G4	-	-
NV-2-128L-53-27K7	-	-	-	B3-U0-G5	-	-
NV-2-128L-53-27K8	-	-	-	B3-U0-G5	-	-
NV-2-128L-53-30K7	-	-	-	B3-U0-G5	-	-
NV-2-128L-53-30K8	-	-	-	B3-U0-G5	-	-
NV-2-128L-53-35K8	-	-	-	B3-U0-G5	-	-
NV-2-128L-53-40K7	-	-	-	B3-U0-G5	-	-
NV-2-128L-53-40K8	-	-	-	B3-U0-G5	-	-
NV-2-128L-53-50K7	-	-	-	B3-U0-G5	-	-
NV-2-128L-53-50K8	-	-	-	B3-U0-G5	-	-

# PRODUCT SPECIFICATIONS

## BUG RATINGS

BUG RATING CHART STANDARD SILICONE MICRO OPTICS						
PART NUMBER	N3	T2	T3	T3M	T4	T5
NV-2-128L-7-27K7	B5-U0-G3	B3-U0-G3	B3-U0-G3	B3-U0-G5	B4-U0-G5	B5-U0-G4
NV-2-128L-7-27K8	B5-U0-G3	B3-U0-G3	B3-U0-G3	B3-U0-G5	B4-U0-G5	B5-U0-G4
NV-2-128L-7-30K7	B5-U0-G3	B3-U0-G3	B3-U0-G3	B3-U0-G5	B4-U0-G5	B5-U0-G4
NV-2-128L-7-30K8	B5-U0-G3	B3-U0-G3	B3-U0-G3	B3-U0-G5	B4-U0-G5	B5-U0-G4
NV-2-128L-7-35K8	B5-U0-G3	B3-U0-G3	B3-U0-G3	B3-U0-G5	B4-U0-G5	B5-U0-G4
NV-2-128L-7-40K7	B5-U0-G3	B3-U0-G3	B3-U0-G3	B3-U0-G5	B4-U0-G5	B5-U0-G4
NV-2-128L-7-40K8	B5-U0-G3	B3-U0-G3	B3-U0-G3	B3-U0-G5	B4-U0-G5	B5-U0-G4
NV-2-128L-7-50K7	B5-U0-G3	B3-U0-G3	B3-U0-G3	B3-U0-G5	B4-U0-G5	B5-U0-G4
NV-2-128L-7-50K8	B5-U0-G3	B3-U0-G3	B3-U0-G3	B3-U0-G5	B4-U0-G5	B5-U0-G4
NV-2-128L-1-27K7	B5-U0-G3	B4-U0-G4	B4-U0-G4	B4-U0-G5	B4-U0-G5	B5-U0-G4
NV-2-128L-1-27K8	B5-U0-G3	B4-U0-G4	B4-U0-G4	B4-U0-G5	B4-U0-G5	B5-U0-G4
NV-2-128L-1-30K7	B5-U0-G3	B4-U0-G4	B4-U0-G4	B4-U0-G5	B4-U0-G5	B5-U0-G4
NV-2-128L-1-30K8	B5-U0-G3	B4-U0-G4	B4-U0-G4	B4-U0-G5	B4-U0-G5	B5-U0-G4
NV-2-128L-1-35K8	B5-U0-G3	B4-U0-G4	B4-U0-G4	B4-U0-G5	B4-U0-G5	B5-U0-G4
NV-2-128L-1-40K7	B5-U0-G3	B4-U0-G4	B4-U0-G4	B4-U0-G5	B4-U0-G5	B5-U0-G4
NV-2-128L-1-40K8	B5-U0-G3	B4-U0-G4	B4-U0-G4	B4-U0-G5	B4-U0-G5	B5-U0-G4
NV-2-128L-1-50K7	B5-U0-G3	B4-U0-G4	B4-U0-G4	B4-U0-G5	B4-U0-G5	B5-U0-G4
NV-2-128L-1-50K8	B5-U0-G3	B4-U0-G4	B4-U0-G4	B4-U0-G5	B4-U0-G5	B5-U0-G4
NV-2-128L-12-27K7	B5-U0-G3	B4-U0-G5	B4-U0-G5	B4-U0-G5	B4-U0-G5	B5-U0-G5
NV-2-128L-12-27K8	B5-U0-G3	B4-U0-G5	B4-U0-G5	B4-U0-G5	B4-U0-G5	B5-U0-G5
NV-2-128L-12-30K7	B5-U0-G3	B4-U0-G5	B4-U0-G5	B4-U0-G5	B4-U0-G5	B5-U0-G5
NV-2-128L-12-30K8	B5-U0-G3	B4-U0-G5	B4-U0-G5	B4-U0-G5	B4-U0-G5	B5-U0-G5
NV-2-128L-12-35K8	B5-U0-G3	B4-U0-G5	B4-U0-G5	B4-U0-G5	B4-U0-G5	B5-U0-G5
NV-2-128L-12-40K7	B5-U0-G3	B4-U0-G5	B4-U0-G5	B4-U0-G5	B4-U0-G5	B5-U0-G5
NV-2-128L-12-40K8	B5-U0-G3	B4-U0-G5	B4-U0-G5	B4-U0-G5	B4-U0-G5	B5-U0-G5
NV-2-128L-12-50K7	B5-U0-G3	B4-U0-G5	B4-U0-G5	B4-U0-G5	B4-U0-G5	B5-U0-G5
NV-2-128L-12-50K8	B5-U0-G3	B4-U0-G5	B4-U0-G5	B4-U0-G5	B4-U0-G5	B5-U0-G5

# PRODUCT SPECIFICATIONS

BUG RATING CHART PERFORMANCE T4FTW & T5W SILICONE MICRO OPTICS		
PART NUMBER	T4FTW	T5W
NV-2-80L-7-27K7	B3-U0-G4	B5-U0-G3
NV-2-80L-7-27K8	B3-U0-G4	B5-U0-G3
NV-2-80L-7-30K7	B3-U0-G4	B5-U0-G3
NV-2-80L-7-30K8	B3-U0-G4	B5-U0-G3
NV-2-80L-7-35K8	B3-U0-G4	B5-U0-G3
NV-2-80L-7-40K7	B3-U0-G4	B5-U0-G4
NV-2-80L-7-40K8	B3-U0-G4	B5-U0-G4
NV-2-80L-7-50K7	B3-U0-G4	B5-U0-G4
NV-2-80L-7-50K8	B3-U0-G4	B5-U0-G4
NV-2-80L-1-27K7	B3-U0-G5	B5-U0-G4
NV-2-80L-1-27K8	B3-U0-G5	B5-U0-G4
NV-2-80L-1-30K7	B3-U0-G5	B5-U0-G4
NV-2-80L-1-30K8	B3-U0-G5	B5-U0-G4
NV-2-80L-1-35K8	B3-U0-G5	B5-U0-G4
NV-2-80L-1-40K7	B3-U0-G5	B5-U0-G4
NV-2-80L-1-40K8	B3-U0-G5	B5-U0-G4
NV-2-80L-1-50K7	B3-U0-G5	B5-U0-G4
NV-2-80L-1-50K8	B3-U0-G5	B5-U0-G4
NV-2-96L-7-27K7	B3-U0-G4	B5-U0-G4
NV-2-96L-7-27K8	B3-U0-G4	B5-U0-G4
NV-2-96L-7-30K7	B3-U0-G4	B5-U0-G4
NV-2-96L-7-30K8	B3-U0-G4	B5-U0-G4
NV-2-96L-7-35K8	B3-U0-G4	B5-U0-G4
NV-2-96L-7-40K7	B3-U0-G4	B5-U0-G4
NV-2-96L-7-40K8	B3-U0-G4	B5-U0-G4
NV-2-96L-7-50K7	B3-U0-G4	B5-U0-G4
NV-2-96L-7-50K8	B3-U0-G4	B5-U0-G4
NV-2-96L-1-27K7	B3-U0-G5	B5-U0-G4
NV-2-96L-1-27K8	B3-U0-G5	B5-U0-G4
NV-2-96L-1-30K7	B3-U0-G5	B5-U0-G4
NV-2-96L-1-30K8	B3-U0-G5	B5-U0-G4
NV-2-96L-1-35K8	B3-U0-G5	B5-U0-G4
NV-2-96L-1-40K7	B3-U0-G5	B5-U0-G4
NV-2-96L-1-40K8	B3-U0-G5	B5-U0-G4
NV-2-96L-1-50K7	B3-U0-G5	B5-U0-G4
NV-2-96L-1-50K8	B3-U0-G5	B5-U0-G4
NV-2-112L-7-27K7	B3-U0-G5	B5-U0-G4
NV-2-112L-7-27K8	B3-U0-G5	B5-U0-G4
NV-2-112L-7-30K7	B3-U0-G5	B5-U0-G4
NV-2-112L-7-30K8	B3-U0-G5	B5-U0-G4
NV-2-112L-7-35K8	B3-U0-G5	B5-U0-G4

BUG RATING CHART PERFORMANCE T4FTW & T5W SILICONE MICRO OPTICS		
PART NUMBER	T4FTW	T5W
NV-2-112L-7-40K7	B3-U0-G5	B5-U0-G4
NV-2-112L-7-40K8	B3-U0-G5	B5-U0-G4
NV-2-112L-7-50K7	B3-U0-G5	B5-U0-G4
NV-2-112L-7-50K8	B3-U0-G5	B5-U0-G4
NV-2-112L-1-27K7	B3-U0-G5	B5-U0-G5
NV-2-112L-1-27K8	B3-U0-G5	B5-U0-G5
NV-2-112L-1-30K7	B3-U0-G5	B5-U0-G5
NV-2-112L-1-30K8	B3-U0-G5	B5-U0-G5
NV-2-112L-1-35K8	B3-U0-G5	B5-U0-G5
NV-2-112L-1-40K7	B3-U0-G5	B5-U0-G5
NV-2-112L-1-40K8	B3-U0-G5	B5-U0-G5
NV-2-112L-1-50K7	B3-U0-G5	B5-U0-G5
NV-2-112L-1-50K8	B3-U0-G5	B5-U0-G5
NV-2-128L-7-27K7	B3-U0-G5	B5-U0-G5
NV-2-128L-7-27K8	B3-U0-G5	B5-U0-G5
NV-2-128L-7-30K7	B3-U0-G5	B5-U0-G5
NV-2-128L-7-30K8	B3-U0-G5	B5-U0-G5
NV-2-128L-7-35K8	B3-U0-G5	B5-U0-G5
NV-2-128L-7-40K7	B3-U0-G5	B5-U0-G5
NV-2-128L-7-40K8	B3-U0-G5	B5-U0-G5
NV-2-128L-7-50K7	B3-U0-G5	B5-U0-G5
NV-2-128L-7-50K8	B3-U0-G5	B5-U0-G5
NV-2-128L-1-27K7	B4-U0-G5	B5-U0-G5
NV-2-128L-1-27K8	B4-U0-G5	B5-U0-G5
NV-2-128L-1-30K7	B4-U0-G5	B5-U0-G5
NV-2-128L-1-30K8	B4-U0-G5	B5-U0-G5
NV-2-128L-1-35K8	B4-U0-G5	B5-U0-G5
NV-2-128L-1-40K7	B4-U0-G5	B5-U0-G5
NV-2-128L-1-40K8	B4-U0-G5	B5-U0-G5
NV-2-128L-1-50K7	B4-U0-G5	B5-U0-G5
NV-2-128L-1-50K8	B4-U0-G5	B5-U0-G5
NV-2-128L-12-27K7	B4-U0-G5	B5-U0-G5
NV-2-128L-12-27K8	B4-U0-G5	B5-U0-G5
NV-2-128L-12-30K7	B4-U0-G5	B5-U0-G5
NV-2-128L-12-30K8	B4-U0-G5	B5-U0-G5
NV-2-128L-12-35K8	B4-U0-G5	B5-U0-G5
NV-2-128L-12-40K7	B4-U0-G5	B5-U0-G5
NV-2-128L-12-40K8	B4-U0-G5	B5-U0-G5
NV-2-128L-12-50K7	B4-U0-G5	B5-U0-G5
NV-2-128L-12-50K8	B4-U0-G5	B5-U0-G5



701 Kingshill Place, Carson, CA 90746  
Call Us Today (310) 341-2037

[nlsighting.com](http://nlsighting.com)

# PRODUCT SPECIFICATIONS

## BUG RATINGS

BUG RATING CHART PERFORMANCE T4FTW & T5W SILICONE MICRO OPTICS W/HSS	
PART NUMBER	T4FTW
NV-2-80L-7-27K7-HSS	B1-U0-G3
NV-2-80L-7-27K8-HSS	B1-U0-G3
NV-2-80L-7-30K7-HSS	B1-U0-G3
NV-2-80L-7-30K8-HSS	B1-U0-G3
NV-2-80L-7-35K8-HSS	B1-U0-G3
NV-2-80L-7-40K7-HSS	B1-U0-G3
NV-2-80L-7-40K8-HSS	B1-U0-G3
NV-2-80L-7-50K7-HSS	B1-U0-G3
NV-2-80L-7-50K8-HSS	B1-U0-G3
NV-2-80L-1-27K7-HSS	B1-U0-G4
NV-2-80L-1-27K8-HSS	B1-U0-G4
NV-2-80L-1-30K7-HSS	B1-U0-G4
NV-2-80L-1-30K8-HSS	B1-U0-G4
NV-2-80L-1-35K8-HSS	B1-U0-G4
NV-2-80L-1-40K7-HSS	B1-U0-G4
NV-2-80L-1-40K8-HSS	B1-U0-G4
NV-2-80L-1-50K7-HSS	B1-U0-G4
NV-2-80L-1-50K8-HSS	B1-U0-G4
NV-2-96L-7-27K7-HSS	B1-U0-G3
NV-2-96L-7-27K8-HSS	B1-U0-G3
NV-2-96L-7-30K7-HSS	B1-U0-G3
NV-2-96L-7-30K8-HSS	B1-U0-G3
NV-2-96L-7-35K8-HSS	B1-U0-G3
NV-2-96L-7-40K7-HSS	B1-U0-G3
NV-2-96L-7-40K8-HSS	B1-U0-G3
NV-2-96L-7-50K7-HSS	B1-U0-G3
NV-2-96L-7-50K8-HSS	B1-U0-G3
NV-2-96L-1-27K7-HSS	B1-U0-G4
NV-2-96L-1-27K8-HSS	B1-U0-G4
NV-2-96L-1-30K7-HSS	B1-U0-G4
NV-2-96L-1-30K8-HSS	B1-U0-G4
NV-2-96L-1-35K8-HSS	B1-U0-G4
NV-2-96L-1-40K7-HSS	B2-U0-G4
NV-2-96L-1-40K8-HSS	B2-U0-G4
NV-2-96L-1-50K7-HSS	B2-U0-G4
NV-2-96L-1-50K8-HSS	B2-U0-G4

BUG RATING CHART PERFORMANCE T4FTW & T5W SILICONE MICRO OPTICS W/HSS	
PART NUMBER	T4FTW
NV-2-112L-7-27K7-HSS	B1-U0-G3
NV-2-112L-7-27K8-HSS	B1-U0-G3
NV-2-112L-7-30K7-HSS	B1-U0-G4
NV-2-112L-7-30K8-HSS	B1-U0-G4
NV-2-112L-7-35K8-HSS	B1-U0-G4
NV-2-112L-7-40K7-HSS	B1-U0-G4
NV-2-112L-7-40K8-HSS	B1-U0-G4
NV-2-112L-7-50K7-HSS	B1-U0-G4
NV-2-112L-7-50K8-HSS	B1-U0-G4
NV-2-112L-1-27K7-HSS	B2-U0-G4
NV-2-112L-1-27K8-HSS	B2-U0-G4
NV-2-112L-1-30K7-HSS	B2-U0-G4
NV-2-112L-1-30K8-HSS	B2-U0-G4
NV-2-112L-1-35K8-HSS	B2-U0-G4
NV-2-112L-1-40K7-HSS	B2-U0-G4
NV-2-112L-1-40K8-HSS	B2-U0-G4
NV-2-112L-1-50K7-HSS	B2-U0-G4
NV-2-112L-1-50K8-HSS	B2-U0-G4
NV-2-128L-35-27K7-HSS	B1-U0-G3
NV-2-128L-35-27K8-HSS	B1-U0-G3
NV-2-128L-35-30K7-HSS	B1-U0-G3
NV-2-128L-35-30K8-HSS	B1-U0-G3
NV-2-128L-35-35K8-HSS	B1-U0-G3
NV-2-128L-35-40K7-HSS	B1-U0-G3
NV-2-128L-35-40K8-HSS	B1-U0-G3
NV-2-128L-35-50K7-HSS	B1-U0-G3
NV-2-128L-35-50K8-HSS	B1-U0-G3
NV-2-128L-53-27K7-HSS	B1-U0-G4
NV-2-128L-53-27K8-HSS	B1-U0-G4
NV-2-128L-53-30K7-HSS	B1-U0-G4
NV-2-128L-53-30K8-HSS	B1-U0-G4
NV-2-128L-53-35K8-HSS	B1-U0-G4
NV-2-128L-53-40K7-HSS	B1-U0-G4
NV-2-128L-53-40K8-HSS	B1-U0-G4
NV-2-128L-53-50K7-HSS	B1-U0-G4
NV-2-128L-53-50K8-HSS	B1-U0-G4

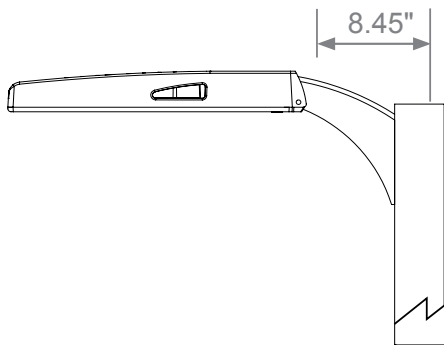
BUG RATING CHART PERFORMANCE T4FTW & T5W SILI- CONE MICRO OPTICS W/HSS	
PART NUMBER	T4FTW
NV-2-128L-7-27K7-HSS	B2-U0-G4
NV-2-128L-7-27K8-HSS	B2-U0-G4
NV-2-128L-7-30K7-HSS	B2-U0-G4
NV-2-128L-7-30K8-HSS	B2-U0-G4
NV-2-128L-7-35K8-HSS	B2-U0-G4
NV-2-128L-7-40K7-HSS	B2-U0-G4
NV-2-128L-7-40K8-HSS	B2-U0-G4
NV-2-128L-7-50K7-HSS	B2-U0-G4
NV-2-128L-7-50K8-HSS	B2-U0-G4
NV-2-128L-1-27K7-HSS	B2-U0-G5
NV-2-128L-1-27K8-HSS	B2-U0-G5
NV-2-128L-1-30K7-HSS	B2-U0-G5
NV-2-128L-1-30K8-HSS	B2-U0-G5
NV-2-128L-1-35K8-HSS	B2-U0-G5
NV-2-128L-1-40K7-HSS	B2-U0-G5
NV-2-128L-1-40K8-HSS	B2-U0-G5
NV-2-128L-1-50K7-HSS	B2-U0-G5
NV-2-128L-1-50K8-HSS	B2-U0-G5
NV-2-128L-12-27K7-HSS	B2-U0-G5
NV-2-128L-12-27K8-HSS	B2-U0-G5
NV-2-128L-12-30K7-HSS	B2-U0-G5
NV-2-128L-12-30K8-HSS	B2-U0-G5
NV-2-128L-12-35K8-HSS	B2-U0-G5
NV-2-128L-12-40K7-HSS	B2-U0-G5
NV-2-128L-12-40K8-HSS	B2-U0-G5
NV-2-128L-12-50K7-HSS	B2-U0-G5
NV-2-128L-12-50K8-HSS	B2-U0-G5

# PRODUCT SPECIFICATIONS

## MOUNTING OPTIONS

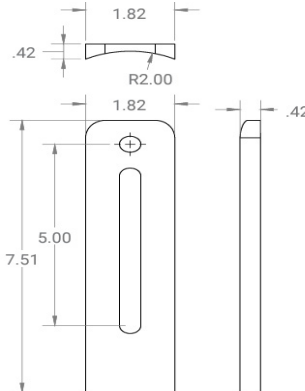
### ARCHITECTURAL SWEEP ARM (ASA)

Cast Sweep Arm includes (as standard)  
Internal Quick Mount Bracket.

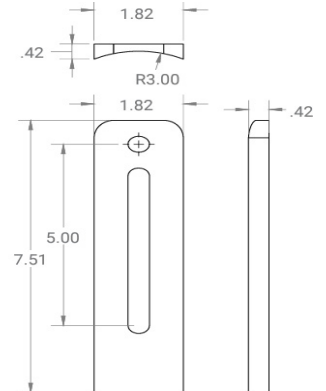


### ASA ROUND POLE ADAPTORS

#### RPA-ASA-4

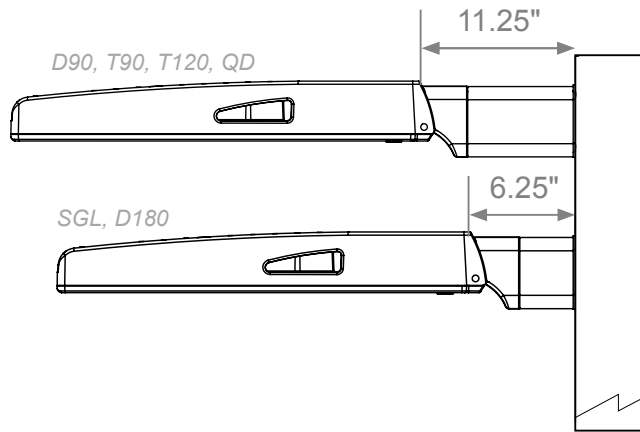


#### RPA-ASA-5



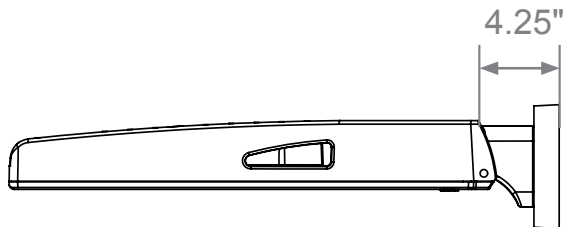
### DIRECT POLE (DP)

Standard mounting arm is extruded  
aluminum in lengths of 6.25" and 11.25".  
*\*Arm lengths may vary depending on configuration*



### WALL MOUNT (WM)

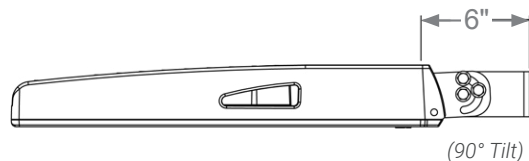
Cast Aluminum Plate for direct wall mount.  
3" extruded aluminum arm mounts directly  
to a cast wall mount box.



### TRUNNION MOUNT (TM)

Steel, bolt-on-mounting for adjustable installation  
with a maximum uplift of 90 degrees.

*\*Unpainted stainless steel is standard*



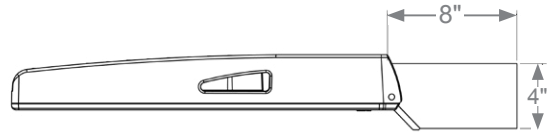
# PRODUCT SPECIFICATIONS

## MOUNTING OPTIONS

### TENNIS ARM (TA)

Steel fitter slips over 3.5" x 1.5" rectangular arm.

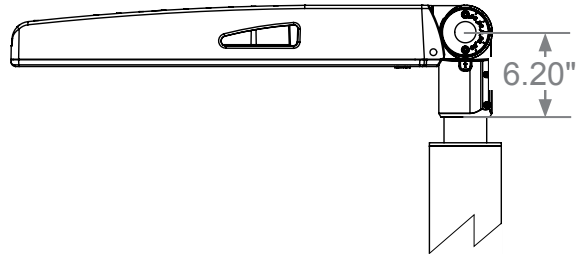
\*See Tennis Arm Spec Sheet for details



### KNUCKLE MOUNT (KM)

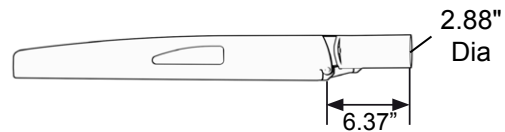
Die Cast Knuckle great for adjustable installation on 2-3/8" OD vertical or horizontal tenon.

- Max Up-tilt of 90 degrees
- Adjustable in 6 degree increments



### MAST ARM MOUNT (MA)

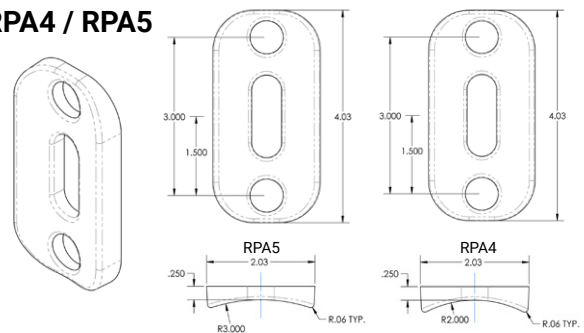
Mast Arm Fitter slips over 2-3/8" OD tenon.



### ROUND POLE ADAPTER OPTIONS (RPA4) (RPA5)

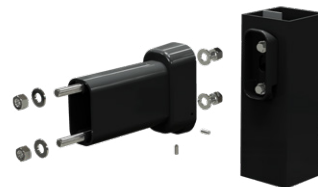
When using round poles, specify Round Pole Adapter (RPA). Specify RPA4 when installing on 3"-4" round poles, and RPA5 when installing on 5"-6" round poles.

#### RPA4 / RPA5



### QUICK MOUNT BRACKET (QMB)

Optional Cast Aluminum Bracket designed for quick mounting on Direct Square or Round Poles. Cleat mounts directly to pole for easily hung fixtures. Has a 2"x4" Drill Pattern.



### RETROFIT MOUNT BRACKET (RQMB)

Optional Cast Aluminum Bracket designed for quick mounting on Direct Square or Round Poles. Cleat mounts directly to pole for easily hung fixtures. Drill Pattern is adjustable from 2"x4" to 2"x6".



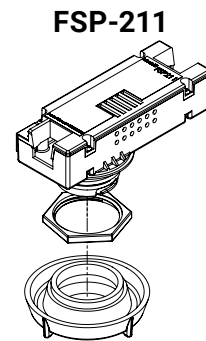
# PRODUCT SPECIFICATIONS

## CONTROL OPTIONS

- DIMMING CONTROL (FSP)—Passive infrared (PIR) sensor providing multi-level control based on motion/daylight contribution
- All control parameters adjustable via wireless configuration remote storing and transmitting sensor profiles.
- FSP-8 mounting heights 8 feet and below
- FSP-20 mounting heights 9-20 feet.
- FSP-40 mounting heights 21-40 feet.
- Includes 5 dimming event cycles, 0-10V dimming with motion sensing, re-programmable in the field.

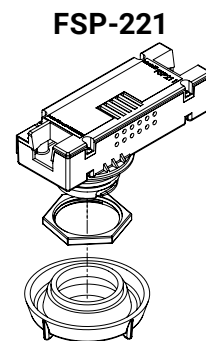
## FSP-211 WITH MOTION SENSOR (FSP-XX)

- FSP-211(FSP-X)—Passive infrared (PIR) sensor providing multi-level control based on motion/daylight contribution.
- 120/277VAC, 230-240VAC
- All control parameters adjustable via wireless configuration remote storing and transmitting sensor profiles.
- FSP-8 mounting heights 8 feet and below
- FSP-20 mounting heights 9-20 feet.
- FSP-40 mounting heights 21-40 feet.
- Includes 5 dimming event cycles, 0-10V dimming with motion sensing, re-programmable in the field.

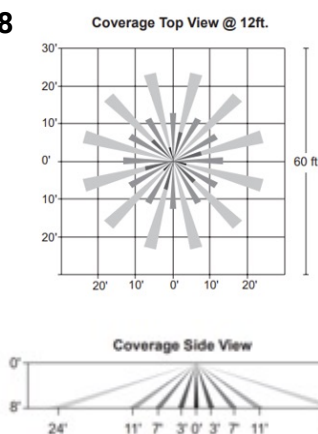


## FSP-221 WITH MOTION SENSOR (FSP-HV-XX)

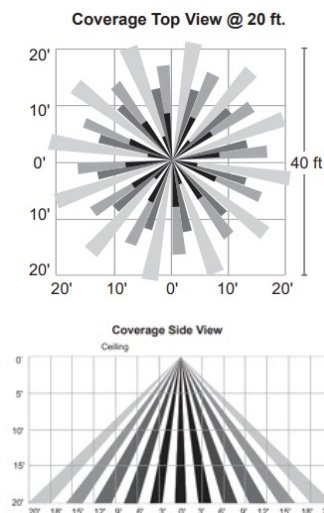
- FSP-221 (FSP-HV-X)—Passive infrared (PIR) sensor providing multi-level control based on motion/daylight contribution.
- 100-347VAC 208/230/480VAC
- All control parameters adjustable via wireless configuration remote storing and transmitting sensor profiles.
- FSP-8 mounting heights 8 feet and below
- FSP-20 mounting heights 9-20 feet.
- FSP-40 mounting heights 21-40 feet.
- Includes 5 dimming event cycles, 0-10V dimming with motion sensing, re-programmable in the field.



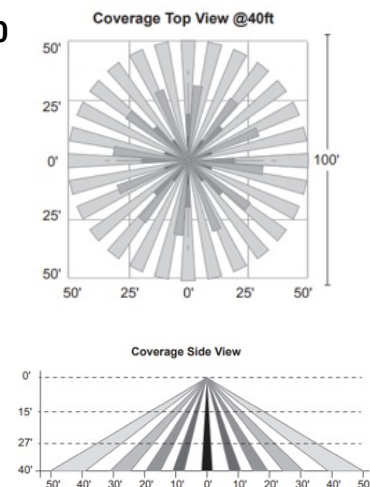
### FSP-8



### FSP-20



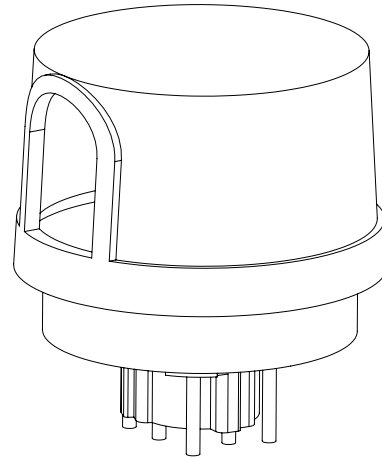
### FSP-40



## PRODUCT SPECIFICATIONS

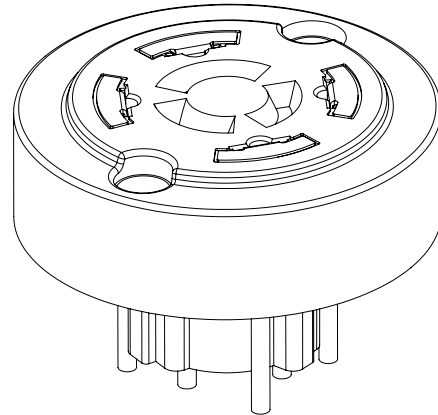
### PHOTOCELL + RECEPTACLE (PCR)

7-Pin Receptacle and Electronic Twist Lock Photocell for dusk to dawn operation.



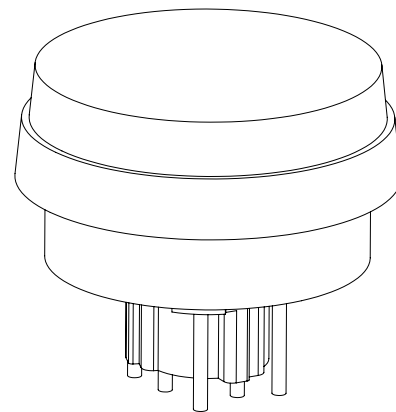
### NEMA 7-PIN RECEPTACLE (PE7)

An ANSI C136.41-2013 receptacle provides electrical and mechanical interconnection between photo control cell and luminaire. Dimming receptacle available two or four dimming contacts supports 0-10 VDC dimming methods or Digital Addressable Lighting Interface (DALI), providing reliable power interconnect.



### RECEPTACLE + SHORTING CAP (PER)

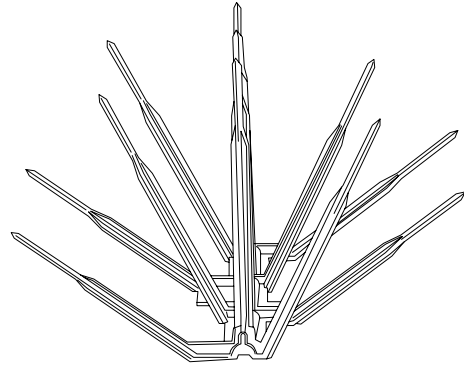
7-Pin Receptacle and Shorting Cap.



## PRODUCT SPECIFICATIONS

### BIRD SPIKES (BS)

Bird Spikes offers effective and humane deterrent for larger bird species and provides cost-effective long-term solution to nuisance bird infestations and protect your property.



### MARINE GRADE FINISH (MGF)

The **(MGF)** is a multi step process. Chemically washed in a 5 stage cleaning system. Pre-baked. Powder coated 3-5 mils of Zinc Rich Super Durable Polyester Primer. Oven Baked. Finished Powder Coating of Super Durable Polyester Powder Coat 3-5 mil thickness.



#### Powder Coat Finish

3-5 mil Powder Coat

#### Primer Layer

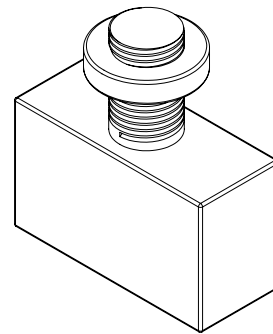
3-5 mil Zinc Rich Super Durable Polyester Primer

#### Prepared Casting

Chemically washed in multi Step 5 stage cleaning process

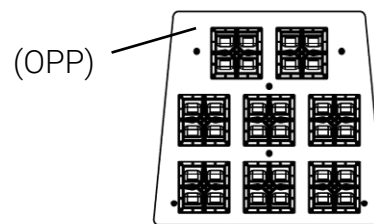
### BUTTON PHOTOCELL

Photo Cell for dusk to dawn operation.



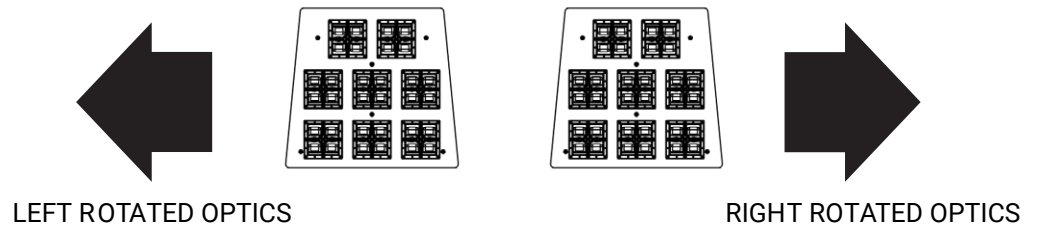
### OPTIC PLATE PAINTED TO MATCH (OPP)

Optic plate is clear anodized as standard. The optic plate can be powder coated to match the finish of the fixture.



## PRODUCT SPECIFICATIONS

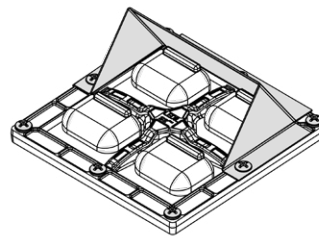
### ROTATED OPTICS (ROL) (ROR)



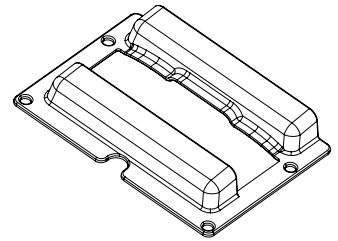
### SHIELDING OPTIONS (AHS) (HSS)

SHIELDS (HSS, AHS)—House Side Shield (HSS) is designed for full property line cut-off. Automotive House Side Shield (AHS) is a single-sided shield allowing partial cut-off on either side or front of luminaire.

#### AUTOMOTIVE HOUSE SIDE SHIELD



#### HOUSE SIDE SHIELD



### BLACK OPTIC FRAME

Optional Black Optic Frame (includes black hardware) Standard Optic Frame is white.



### LENS OPTIONS

#### GL LENS (GL)

Low Iron Glass, fully tempered



#### HAL LENS (HAL)

High Performance Yellow Polycarbonate Lens  
(less than 2% Blue Light Content)

