

LED WATTAGE CHART

1050 milliamps

64L
205w

The NV-1 Pickleball Luminaire with Silicon Micro Optics is an excellent choice for Pickleball courts for clubs, private courts, municipalities, and schools. The NV-1 is Full Cutoff and Dark Sky approved. The NV-1 Series has been used on hundreds of lighting projects across the nation.

Product Features

- The NV-1 Pickleball is a Great Value Outdoor Lighting Solution
- NV has been installed in hundreds of lighting projects across the nation
- NV has a sleek design that compliments country club or private court settings
- NV can be ordered with a pre-mounted architectural sweep arm at no extra cost that extends the fixture on to the court 18 inches
- NV can adapt to any existing fixture arm, cross arm, or pole
- NV is completely designed, tooled, extruded, cast, fabricated, powder coated, and assembled in the United States meeting the strictest Made in the USA requirements

- NV optical system is silicon and will never yellow. Silicon optical system does not require different gasket that could fail
- NV LED light source is concealed and hidden from sight from neighbors, the environment, and dark sky
- NLS manufactures complimentary poles and arms with the same exact paint finish and texture
- NV features drivers from Advance (Best in Industry in terms of longevity, surge protection, and voltage drop)
- Readily available in 480 volt
- NV depreciation rate is more than 3x slower than most import fixtures
- In House photometric design Pickleball expertise available at no charge
- NV-1 is Competitively Priced
- NV-1 Generally can ship in two weeks or less
- **Is a Great Pickleball Light**



Project Name:

Type:

NV-1 PICKLE ORDERING GUIDE

Cat#	Light Dist.	# of LEDs	Milliamps	Kelvin	Volts
NV-1 (NV-1)	Type 4 (TP)	64 (64L)	1050 (1)	4000K, 70 CRI (40K7) 5000K, 70 CRI (50K7)	120-277 (UNV) 347-480 (HV)

Mounting	Color	Controls Options	Options
Direct Pole 12" Arm D180, D90, T90, T120, Quad (DPS12) ①	Black Textured (BLK)	Nema 7-Pin Receptacle (PE7)	Bird Spikes (BS)
Knuckle Mount (KM)	Smooth Black Gloss (SBK)	Photocell + Receptacle (PCR)	Marine Grade Finish (MGF)
Tennis Arm Mount (TA)	Graphite Textured (GPH)	Receptacle + Shorting Cap (PER)	Quick Mount Bracket (QMB)
Trunnion Mount (TM)	Green Textured (GRN)	FSP-211 with Motion Sensor 9'-20' Heights (FSP-20) ②	Retrofit Mount Bracket (RQMB)
Mast Arm Mount (MA)	Hunter Green Textured (HGN)	21'-40' Heights (FSP-40) ②	Round Pole Adaptor 3'-4" Pole (RPA4)
Architectural Sweep Arm (ASA)	Custom (CS)		Round Pole Adaptor 5"-6" Pole (RPA5)

Notes:
 ① For Round Pole Specify RPA4 or RPA5
 ② Universal Voltage 120-277



701 Kingshill Place, Carson, CA 90746
 Call Us Today (310) 341-2037

nlsighting.com

PRODUCT SPECIFICATIONS

Product Specifications

- Optics; Silicon Micro Optic
- Watts; 205w
- L70: 150,000 Hours
- Driver: 0-10V Dimming driver
- THD @ Max Load < 15%
- Power Factor @ Max Load < 0.95
- Kelvin: 3000, 4000 or 5000
- Finish: 5 mils Powder Coat Warranty:
- Standard Warranty is 5 years for Driver and LEDs

CONSTRUCTION

- Die Cast Aluminum
- External cooling fins
- Corrosion resistant external hardware
- One-piece silicone gasket ensures IP-65 seal for electronics compartment
- One-piece Optics Plate™ mounting silicone Micro Optics
- Two-piece silicone Micro Optic system ensures IP-67 level seal around each PCB
- Grade 2 Clear Anodized Optics Plate™ standard

FINISH

- 3-5 mils electrostatic powder coat.
- NLS' standard high-quality finishes prevent corrosion protects against and extreme environmental conditions

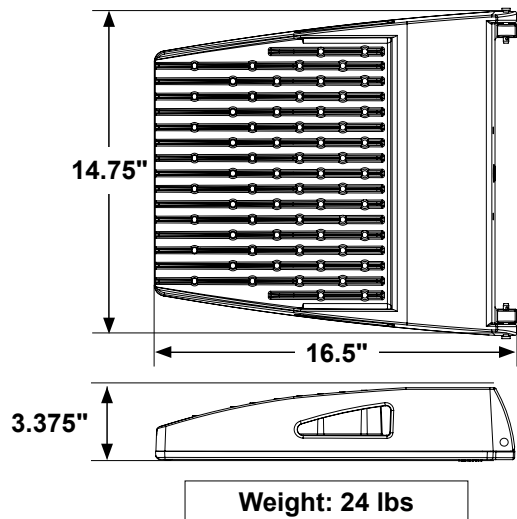
FORM AND FUNCTION

- Sleek, low profile housing
- Spec grade performance
- Engineered for optimum thermal management
- Low depreciation rate
- Reduces energy consumption and costs up to 65%
- Exceeds IES foot candle levels utilizing the least number of poles and fixtures per project

LISTINGS

- Certified to UL 1598
- UL 8750
- CSA C22.2 No. 250.0
- DesignLights Consortium® (DLC)
- DesignLights Consortium Premium® (DLCP)
- IP65/ IP67 Rated
- 3G Vibration Rated per ANSI C136.31-2010

Product Dimensions



The information and specifications on this document are subject to change without any notification. All values are design, nominal, typical or prorated values when measured under internal and external laboratory conditions.

PRODUCT SPECIFICATIONS

LUMENS

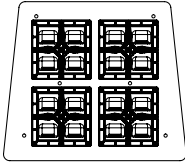
PART NUMBER	TP	LM/W	TP AHS	LM/W	TP HSS	LM/W	W
NV-1-64L-1-30K7	22960	112	14760	72	12710	62	205
NV-1-64L-1-40K7	24805	121	15580	76	13530	66	205
NV-1-64L-1-50K7	26035	127	16400	80	14350	70	205

BUG RATING

PART NUMBER	TP	TP HSS
NV-1-64L-1-30K7	B3-U0-G3	B1-U0-G3
NV-1-64L-1-40K7	B3-U0-G4	B1-U0-G3
NV-1-64L-1-50K7	B3-U0-G4	B1-U0-G3

PRODUCT SPECIFICATIONS

OPTICAL CONFIGURATIONS



NV-1 / 64L

OPTICS

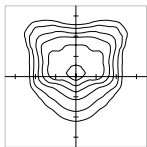
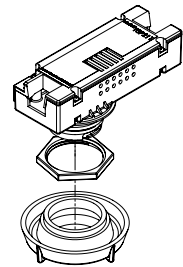
Silicone optics high photothermal stability and light output provides higher powered LEDs with minimized lumen depreciation LED life. UV and thermal stability with scratch resistance increases exterior application durability.

CONTROLS - Consult Factory

CONTROLS - Consult Factory

- **FSP-211 (FSP-X)**—Passive infrared (PIR) sensor providing multi-level control based on motion/daylight contribution.
 - All control parameters adjustable via wireless configuration remote storing and transmitting sensor profiles.
 - FSP-20 mounting heights 9-20 feet
 - FSP-40 mounting heights 21-40 feet.
 - Includes 5 dimming event cycles, 0-10V dimming with motion sensing, re-programmable in the field.
- **NEMA 7-PIN RECEPTACLE (PE7)**—An ANSI C136.41-2013 receptacle provides electrical and mechanical interconnection between photo control cell and luminaire. Dimming receptacle available two or four dimming contacts supports 0-10 VDC dimming methods or Digital Addressable Lighting Interface (DALI), providing reliable power interconnect.
- Motion Based Percentage Outputs and Time Intervals
- (On, Dim, Off)
- Two Settings
- Full Output Setting 100%
- Backyard Party Setting 10%

FSP-211



TYPE 4 (TP)

PRODUCT SPECIFICATIONS

EPA

EPA	SGL	D90	D180	T90	T120	QD
NV-1-DP3	0.46		0.92			
NV-1-DP7		1.14	1.05	1.34	1.37	1.34
NV-1-KM	0.54	N/A	1.08	N/A	N/A	N/A

Lumen Maintenance Data							
Ambient Temperature	Drive Current	L90 Hours*	L70 Hours**	30,000 Hours*	50,000 Hours*	60,000 Hours*	100,000 Hours**
25°C	Up to 700mA	58,000	173,000	95.7%	91.6%	89.6%	82.1%
	1050mA	48,000	143,000	94.3%	89.5%	87.2%	78.5%

*Reported extrapolations per IESNA TM-21 **Projected extrapolations per IESNA TM-21

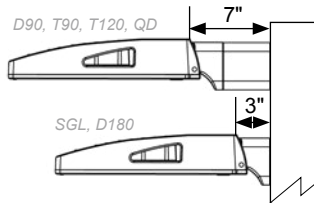
DPX ARM LENGTH

DPX ARM LENGTH	SGL	D90	D180	D180	T90	T120	QD
NV-1	3"	7"	3"	7"	7"	7"	7"

MOUNTING OPTIONS

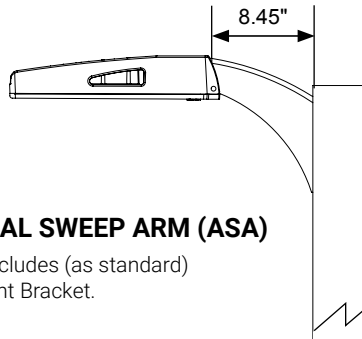
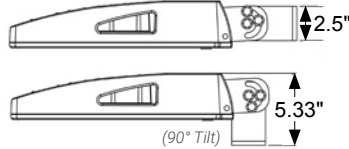
DIRECT POLE (DP)

Standard mounting arm is extruded aluminum in lengths of 3" and 7".
**Arm lengths may vary depending on configuration*



TRUNNION MOUNT (TM)

Steel, bolt-on-mounting for adjustable installation with a maximum uplift of 90 degrees.
**Unpainted stainless steel is standard*

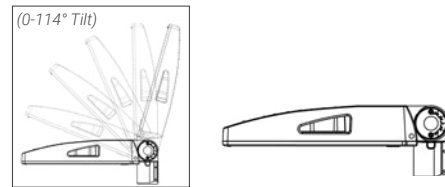


ARCHITECTURAL SWEEP ARM (ASA)

Cast Sweep Arm includes (as standard) Internal Quick Mount Bracket.

TENNIS ARM (TA)

Steel fitter slips over 3.5" x 1.5" rectangular arm.
**See Tennis Arm Spec Sheet for details*



KNUCKLE MOUNT (KM)

Die Cast Knuckle great for adjustable installation on 2-3/8" OD vertical or horizontal tenon.

- Max Up-tilt of 90 degrees
- Adjustable in 6 degree increments
- 1.5G Vibration Rated per ANSI C136.31-2010

OPTIONAL

Optional Cast Aluminum Bracket, **Quick Mount Bracket (QMB)** and **Retrofit Quick Mount Bracket (RQMB)**, designed for quick mounting on Direct Square or Round Poles. Cleat mounts directly to pole for easily hung fixtures.

