



LED WATTAGE CHART

Drive Current	16L	32L	48L	64L
400 milliamps	21w	-	-	-
530 milliamps	28w	-	-	-
700 milliamps	36w-37w	71w	104w-105w	136w-139w
1050 milliamps	55w-56w	106w-107w	156w 157w	200w-207w

**FORM AND FUNCTION**

- Sleek, low profile housing
- Spec grade performance
- Engineered for optimum thermal management
- Low depreciation rate
- Reduces energy consumption and costs up to 65%
- Exceeds IES foot candle levels utilizing the least number of poles and fixtures per project
- Optical system designed for:
  - Parking Lots
  - Auto Dealerships
  - General Area Lighting

**CONSTRUCTION**

- Die Cast Aluminum
- External cooling fins
- Corrosion resistant external hardware
- IP65 Rated Against Dust & Water Ingress. IK10 Rated for Tamper/Vandalism/Impact Protection
- One-piece Optics Plate™ mounting silicone Micro Optics
- Two-piece silicone Micro Optic system ensures IP67 level seal around each PCB
- Grade 2 Clear Anodized Optics Plate™ standard

**FINISH**

- 3-5 mils electrostatic powder coat.
- NLS' standard high-quality finishes prevent corrosion, protects against extreme environmental conditions
- 10 Standard Finishes, Custom Finish and Marine Grade Finish Available

**WARRANTY**

Five-year limited warranty for drivers and LEDs.

**BUY AMERICAN**

To ensure the latest BAA/TAA/BABA Standards are being met, please select BAA, TAA, or BABA in the options section. Please contact the factory before placing an order for any NLS products requesting BAA (Buy American Act), TAA (Trade American Act), or BABA (Build America, Buy America).



Project Name:

Type:

# NV-1 ORDERING GUIDE

Cat#	Light Dist.	# of LEDs	Drive Current	Color Temp. / CCT	Voltage
NV-1 (NV-1)	<b>Standard Silicone Micro Optics</b>		<b>Standard Configurations</b>		Amber LED 595nm Dominant Wavelength Standard Turtle Friendly <b>(AMBER)</b> <sup>1, 11, 20, 24</sup>  Amber LED Phosphor Converted <b>(AMBER/PC)</b> <sup>1, 20, 24</sup>  2700K, 70 CRI <b>(27K7)</b> <sup>2, 7</sup>  2700K, 80 CRI <b>(27K8)</b> <sup>2, 7</sup>  3000K, 70 CRI <b>(30K7)</b> <sup>2, 7</sup>  3000K, 80 CRI <b>(30K8)</b> <sup>2, 7</sup>  3500K, 80 CRI <b>(35K8)</b>  4000K, 70 CRI <b>(40K7)</b>  4000K, 80 CRI <b>(40K8)</b> <sup>2</sup>  5000K, 70 CRI <b>(50K7)</b>  5000K, 80 CRI <b>(50K8)</b> <sup>2</sup>  Custom Drive Current <b>(CUS-MA-***)</b> Specify
	Type 2 <b>(T2)</b>	16 LED <b>(16L)</b>	400mA <b>(40)</b> <sup>19</sup>		
	Type 3 <b>(T3)</b>	32 LED <b>(32L)</b> <sup>15</sup>	530mA <b>(53)</b>		
	Nema 3 30° Narrow Beam <b>(N3)</b>	48 LED <b>(48L)</b> <sup>15</sup>	700mA <b>(7)</b>		
	<b>Performance Silicone Micro Optics</b>		<b>Standard Configurations</b>		
	Type 3 Medium <b>(T3M)</b>	64 LED <b>(64L)</b>	1000mA <b>(1A)</b> <sup>23</sup>		
	Type 4 Forward Throw Wide (For Perimeters) <b>(T4FTW)</b>		1050mA <b>(1)</b>		
	Type 5 Wide (For Improved Uniformity & Wider Pole Spacing) <b>(T5W)</b>	32 LED <b>(32L)</b> <sup>14</sup>	700mA <b>(7)</b>		
		48 LED <b>(48L)</b> <sup>14</sup>	1000mA <b>(1A)</b> <sup>23</sup>		
	<b>Shielded Silicone Micro Optics</b>		<b>Performance Plus Configurations*</b>		
	Corner Distribution Left <b>(CDL)</b> <sup>18</sup>	64 LED <b>(64L)</b>	1050mA <b>(1)</b>		
	Corner Distribution Right <b>(CDR)</b> <sup>18</sup>	64 LED <b>(64L)</b>	350mA <b>(35)</b> <sup>19</sup>		
			530mA <b>(53)</b> <sup>19</sup>		

Our new T3M, T4FTW & T5W will replace our legacy T3, T4 & T5 optics. For New specifications, please use our T3M, T4FTW & T5W, where you would use our legacy Type 3, Type 4 & Type 5 optics. Consult factory for availability of our legacy T3, T4 & T5 optical configurations, if they are needed to match existing installations.

\* Performance Plus configurations with our New Performance Silicone Optics. (For optimized performance combine highest chip count with High Efficacy Drive Currents)

Mounting	Color	Controls Options	Options	Lens Options
Architectural Sweep Arm <b>(ASA)</b>	Bronze Textured <b>(BRZ)</b>	Nema 7-Pin Receptacle <b>(PE7)</b>	Bird Spikes <b>(BS)</b>	Glass Lens <b>(GL)</b> <sup>8, 13, 21</sup>
Direct Pole 3" Arm Single <b>(DPS3)</b> <sup>3</sup>	White Textured <b>(WHT)</b>	Photocell + Receptacle <b>(PCR)</b>	Marine Grade Finish <b>(MGF)</b>	HAL Lens <b>(HAL)</b> <sup>9, 13, 21</sup>
Direct Pole 7" Arm D180, D90, T90, T120, Quad <b>(DPS7)</b> <sup>3</sup>	Smooth White Gloss <b>(SWT)</b>	Receptacle + Shorting Cap <b>(PER)</b>	Optic Plate Painted to Match Fixture <b>(OPP)</b>	<b>NOTES:</b> 1. Consult Factory for Availability and Lead Time 2. Consult Factory for 90 CRI Requests. 3. For Round Pole Specify RPA4 or RPA5 4. Standard finish is stainless steel. Can be painted to match fixture 5. Universal Voltage 120V-277V 6. HSS not applicable with Nema 3 7. 3000K or lower, with fixed mounting options only, must be selected to meet International Dark-Sky Association certification 8. Glass Lens: Low iron glass, fully tempered per ANSI C1047 (QCH-2201-37) 9. HAL Lens: Yellow Polycarbonate Lens – less than 2% Blue Light Content 10. Please contact Factory for Custom Control Integration requests (nLight, NX, WaveLinX, Crestron, DMX/RDM, Synapse, Casambi, Dali II, Avi-On, or other control systems) 11. Turtle Safe 12. Consult factory for all BAA/TAA/BABA requests 13. Maximum of 700mA available with Lens options 14. Available only in 700mA and 1050mA 15. FSP-211, 120V/277VAC (800W/1200W Max), 230-240VAC (300W Max), 50/60Hz Single Phase. Field/Site line voltage must be disclosed for project validation 16. FSP-221, 100-347VAC 50/60Hz Single Phase, 208/230/480VAC 50/60Hz Phase-to-Phase. 120VAC (800W Max), 230-240VAC (300W Max), 277/347/480VAC (1200W Max). Field/Site line voltage must be disclosed for project validation. 17. Projects with sensors require Qty. 1 FSIR per project 18. 64L Only 19. 16L Only 20. See estimated scaling chart for multiplier values to estimate lumen output. Please contact Factory to verify the estimated performance data. 21. HSS not available with GL or HAL Lenses 22. DPS3 or DPS7 must also be selected with QMB/RQMB options 23. 64L 1000mA. Each circuit will have 32LED's at 1000mA 24. Not available over 530mA
Knuckle Mount <b>(KM)</b>	Silver Metallic <b>(SVR)</b>	<b>FSP-211 w/Motion Sensor/Photocell (120/277VAC, 230-240VAC)</b> 8' Heights <b>(FSP211-8)</b> <sup>15, 17</sup>	ASA Round Pole Adaptor 3"-4" Pole <b>(RPA-ASA-4)</b>	
Wall Mount <b>(WM)</b>	Black Textured <b>(BLK)</b>	9'-20' Heights <b>(FSP211-20)</b> <sup>15, 17</sup>	ASA Round Pole Adaptor 5"-6" Pole <b>(RPA-ASA-5)</b>	
Trunnion Mount <b>(TM)</b> <sup>4</sup>	Smooth Black Gloss <b>(SBK)</b>	21'-40' Heights <b>(FSP211-40)</b> <sup>15, 17</sup>	Round Pole Adaptor 3"-4" Pole <b>(RPA4)</b>	
Tennis Arm Mount <b>(TA)</b>	Graphite Textured <b>(GPH)</b>	<b>FSP-221 w/Motion Sensor/Photocell (100/347VAC, 208/ 230/480VAC)</b> 8' Heights <b>(FSP-HV-8)</b> <sup>16, 17</sup>	Round Pole Adaptor 5"-6" Pole <b>(RPA5)</b>	
Mast Arm Mount <b>(MA)</b>	Grey Textured <b>(GRY)</b>	9'-20' Heights <b>(FSP-HV-20)</b> <sup>16, 17</sup>	Rotated Optic Left/ Right <b>(ROL/ ROR)</b>	
Quick Mount Bracket <b>(QMB)</b> <sup>22</sup>	Green Textured <b>(GRN)</b>	21'-40' Heights <b>(FSP-HV-40)</b> <sup>16, 17</sup>	Automotive House Side Shield <b>(AHS)</b>	
Retrofit Mount Bracket <b>(RQMB)</b> <sup>22</sup>	Hunter Green Textured <b>(HGN)</b>	Custom Controls Integration <b>(CCI)</b> <sup>10</sup>	House Side Shield <b>(HSS)</b> <sup>6, 21</sup>	
	Custom <b>(CS)</b>	DALI-2 <b>(D2)</b> <sup>10</sup>	Precision Backlight Control Type 2 <b>(PBC2)</b>	
		DALI-2 <b>(D2)</b> <sup>10</sup>	Precision Backlight Control Type 3 <b>(PBC3)</b>	
		FSP Remote <b>(FSIR)</b> <sup>17</sup>	Precision Backlight Control Type 4 <b>(PBC4)</b>	
		Button Type Photocell <b>(PC)</b> <sup>5</sup>	Black Optic Frame <b>(BOF)</b>	
		Dual Circuit Wiring <b>(2CT)</b> <sup>18, 23</sup>	Buy American Act <b>(BAA)</b> <sup>12</sup>	
			Build America Buy American <b>(BABA)</b> <sup>12</sup>	
			Trade Agreement Act <b>(TAA)</b> <sup>12</sup>	



701 Kingshill Place, Carson, CA 90746  
Call Us Today (310) 341-2037

nlsighting.com

# PRODUCT SPECIFICATIONS

## ELECTRICAL

- 120-277 Volts (UNV) or 347-480 Volts (HV)
- 0-10V dimming driver
- Driver power factor at maximum load is  $\geq .95$ , THD maximum load is 15%
- LED Drivers Ambient Temp. Min is -40°C and Ambient Temp. Max ranges from 50°C to 55°C. Consult the factory for revalidation by providing the fixture catalog string before quoting and specifying it
- All internal wiring UL certified for 600 VAC and 105°C
- All drivers, controls, and sensors housed in enclosed IP65 compartment
- CRI 70, 80 or 90 (Contact factory for 90 CRI)
- Color temperatures: Amber, 2700K, 3000K, 3500K, 4000K, 5000K
- Surge Protection: 20KVA supplied as standard

## CONSTRUCTION

- Die Cast Aluminum
- External cooling fins
- Corrosion resistant external hardware
- One-piece silicone gasket ensures IP65 seal for electronics compartment
- One-piece Optics Plate™ mounting silicone Micro Optics
- Two-piece silicone Micro Optic system ensures IP67 level seal around each PCB
- Grade 2 Clear Anodized Optics Plate™ standard

## OPTIONS

- BIRD SPIKES (BS) - Offers a practical and humane deterrent for larger bird species and provides a cost-effective long-term solution to nuisance bird infestations and protects your property
- MARINE GRADE FINISH (MGF) - A multi-step process creating protective finishing coat against harsh environments. Chemically washed in a 5 stage cleaning system. Pre-baked, Powder coated 3-5 mils of Zinc Rich Super Durable Polyester Primer. Oven Baked. Finished Powder Coating of Super Durable Polyester Powder Coat 3-5 mil thickness
- OPTIC PLATE PAINTED TO MATCH FIXTURE (OPP) - Optic plate is clear anodized as standard. The optic plate can be powder coated to match the finish of the fixture.
- QUICK MOUNT BRACKET (QMB) - Optional Cast Aluminum Bracket designed for quick mounting on Direct Square or Round Poles. Cleat mounts directly to pole for easily hung fixtures. Has a 2"x4" Drill Pattern
- RETROFIT MOUNT BRACKET - Optional Cast Aluminum Bracket designed for quick mounting on Direct Square or Round Poles. Cleat mounts directly to pole for easily hung fixtures. Drill Pattern is adjustable from 2"x4" to 2"x6"
- ROUND POLE ADAPTER (RPA) - When using round poles, specify Round Pole Adapter (RPA). Specify RPA4 when installing on 3"-4" round poles, and RPA5 when installing on 5"-6" round poles
- ROTATED OPTICS (ROL) (ROR) - Rotated optics are designed for perimeter lighting for auto dealerships
- HOUSE SIDE SHIELD (HSS) Designed for full property line cut-off
- BLACK OPTIC FRAME (BOF) - Optional black optic frame. (includes black hardware) Standard is white
- GLASS LENS (GL) - Low Iron Glass, fully tempered
- HAL LENS (HAL) - High Performance Yellow Polycarbonate Lens – less than 2% Blue Light Content

## CONTROL OPTIONS

- **FSP-211 w/Motion Sensor/Photocell (120/277VAC, 230-240VAC)** (FSP-X) - Passive infrared (PIR) sensor providing multi-level control based on motion/daylight contribution.

- **FSP-221 w/Motion Sensor/Photocell (100-347VAC, 208/230/480VAC)** (FSP-HV-X) - Passive infrared (PIR) sensor providing multi-level control based on motion/daylight contribution.
  - All control parameters adjustable via wireless configuration remote storing and transmitting sensor profiles
  - FSP-8 mounting heights 8 feet and below
  - FSP-20 mounting heights 9-20 feet
  - FSP-40 mounting heights 21-40 feet
  - Includes 5 dimming event cycles, 0-10V dimming with motion sensing, re-programmable in the field
  - FSIR-100 commissioning remote is required to change sensor settings. Please contact factory for ordering
- NEMA 7-PIN RECEPTACLE (PE7)—An ANSI C136.41-2013 receptacle provides electrical and mechanical interconnection between photo control cell and luminaire. Dimming receptacle available two or four dimming contacts supports 0-10 VDC dimming methods or Digital Addressable Lighting Interface (DALI), providing reliable power interconnect
- PHOTOCCELL + RECEPTACLE (PCR)—7-Pin Receptacle and Electronic Twist Lock Photocell for dusk to dawn operation
- RECEPTACLE + SHORTING CAP (PER)—7-Pin Receptacle and Shorting Cap
- Controls Agnostic: Please contact factory for your preferred controls option. (nLight, NX, WaveLinX, Crestron, DMX/RDM, Synapse, Casambi, DALI II, Avi-On, or other control systems)

## FINISH

- 3-5 mils electrostatic powder coat
- NLS Light's standard high-quality finishes prevent corrosion protects against and extreme environmental conditions

## WARRANTY

Five-year limited warranty for drivers and LEDs.

## OPTICS

Silicone optics high thermal stability and light output provide higher powered LEDs with minimized lumen depreciation. UV stability with scratch resistance increases exterior application durability. Silicone optics do not yellow, crack or brittle over time

## LISTINGS

- UL Listed in compliance with UL 1598, the Standard for Safety of Luminaires, including the applicable wet location requirements
- Compliant with UL 8750 LED driver design and test safety standards
- CSA C22.2 No. 250.0
- DesignLights Consortium® (DLC)
- DesignLights Consortium Premium® (DLCP)
- IP65/ IP67 Rated
- 3G Vibration Rated per ANSI C136.31-2010
- IDA Dark Sky Approved
- IK10 Rated

## BUY AMERICAN OPTION

While all of the NLS Lighting products listed in this document qualify for the Buy America(n) Act of 1933, we reserve the right to change our listings without notice.

The information provided above is for general informational purposes only. We encourage you to consult legal professionals for advice particular to your projects concerning BAA, TAA, BABA or Buy America.

Additional NLS Products that meet BAA, TAA standards can be found at the following link:

<https://nlsighting.com/buy-american/>



Certified by Dark Sky.org  
3000K or lower, with fixed mounting options  
only, must be selected to meet International  
Dark Sky Association certification.

The information and specifications on this document are subject to change without any notification. All values are design, nominal, typical or prorated values when measured under internal and external laboratory conditions.

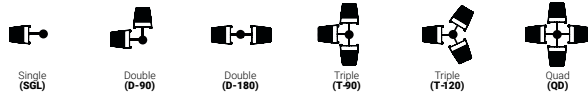


701 Kingshill Place, Carson, CA 90746  
Call Us Today (310) 341-2037

[nlsighting.com](https://nlsighting.com)

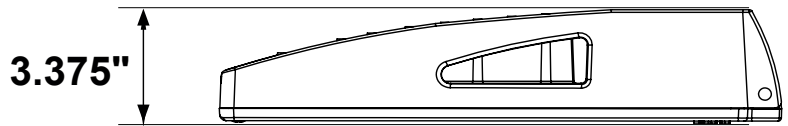
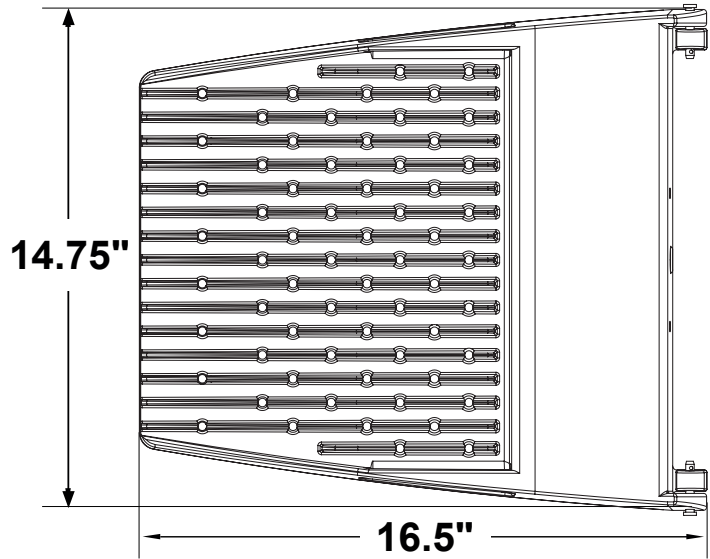
# PRODUCT SPECIFICATIONS

## MOUNTING CONFIGURATION



## EPA

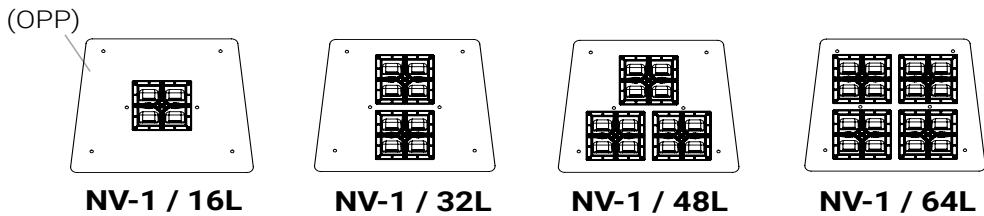
EPA	SGL	D90	D180	T90	T120	QD
NV-1-DP3	0.46	-	0.92	-	-	-
NV-1-DP7	-	1.14	1.05	1.34	1.37	1.34
NV-1-KM	0.54	N/A	1.08	N/A	N/A	N/A
NV-1-ASA	0.75	1.29	1.50	1.99	2.05	1.99



Weight: 24 lbs

## OPTICAL CONFIGURATIONS

Rotatable Optics (ROR) Rotated Right, (ROL) Rotated Left options available. Optics field and factory rotatable.

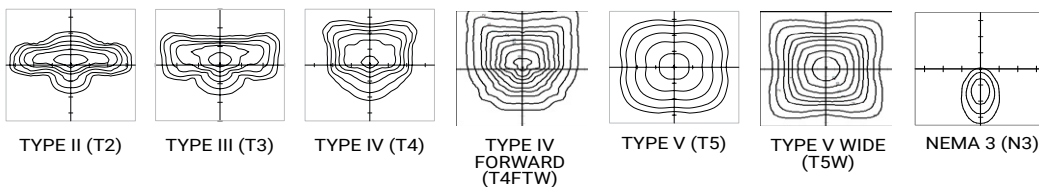


\* OPTIC PLATE PAINTED TO MATCH FIXTURE FINISH (OPP)– Optic Plate standard clear anodized, Grade 2. When (OPP) specified, Optic Plate finish will match fixture finish.

## OPTICS

Silicone optics high photothermal stability and light output provides higher powered LEDs with minimized lumen depreciation LED life. UV and thermal stability with scratch resistance increases exterior application durability.

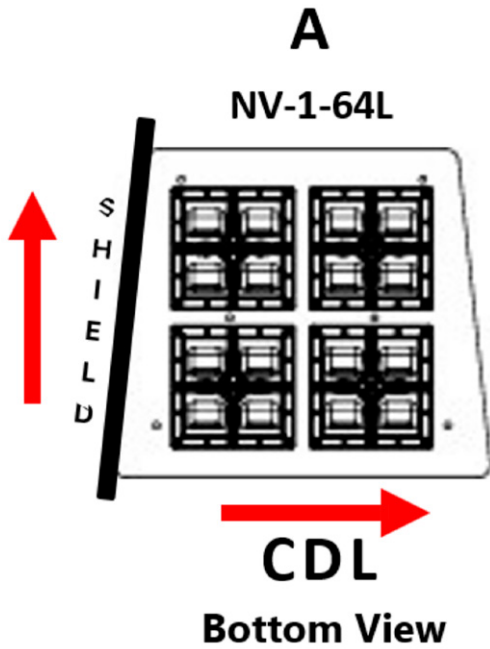
IES Types



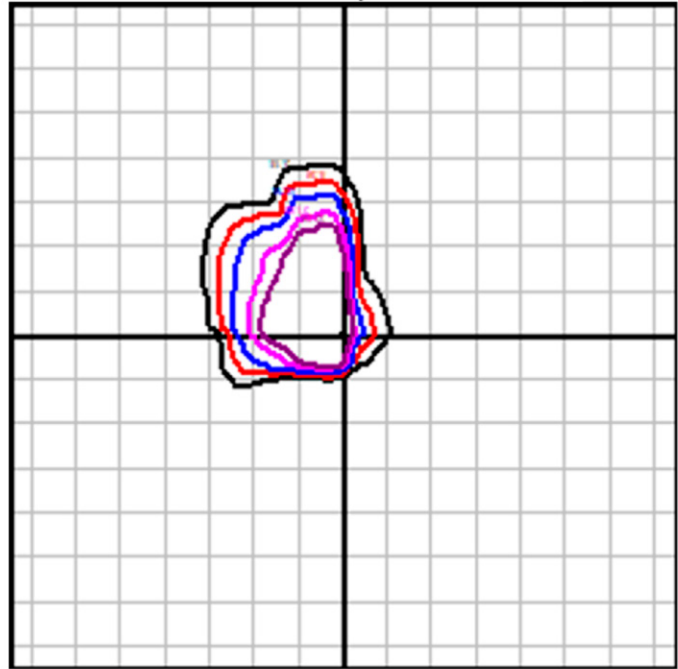
**PRODUCT SPECIFICATIONS**

**OPTICAL CONFIGURATIONS (CONTINUED) - Corner Optics (CDL/CDR)**

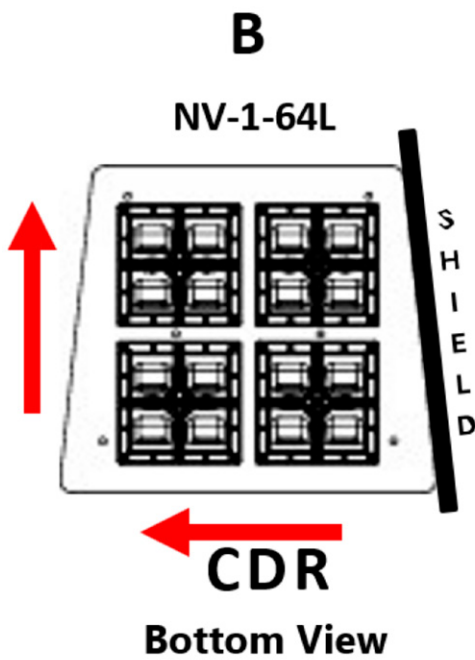
Blended optical distributions include a HSS over the optic and are aimed forward. Fixtures also feature an external side mounted shield.



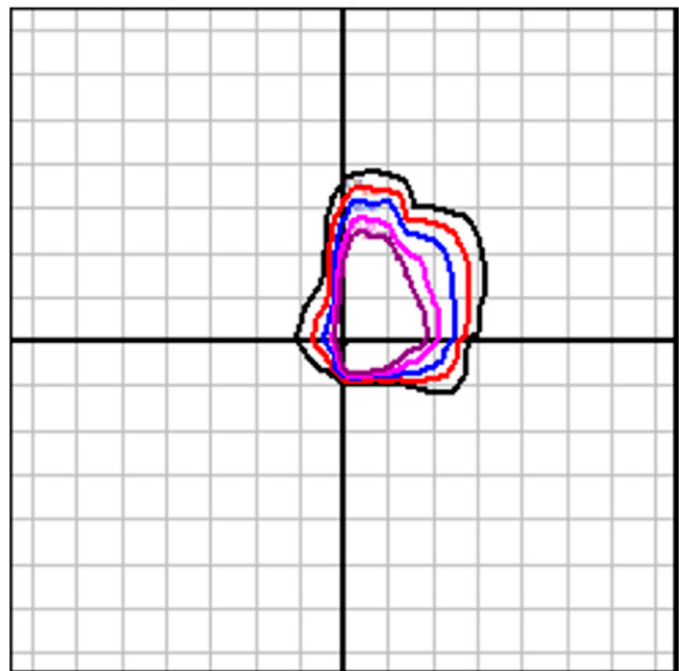
NV-64L-1-40K-CDL (205 Watts, 49LPW)



Mounting Height is 15ft, each sq equals 1 mounting height.



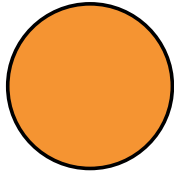
NV-64L-1-40K-CDR (205 Watts, 49LPW)



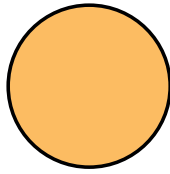
Mounting Height is 15ft, each sq equals 1 mounting height.

# PRODUCT SPECIFICATIONS

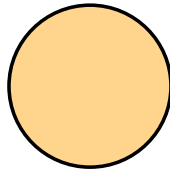
## LED KELVIN RANGE



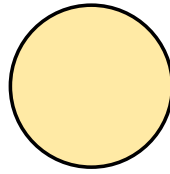
**AMBER**  
585-600 nm



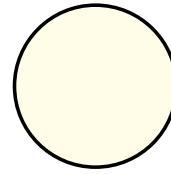
2700K 70 CRI



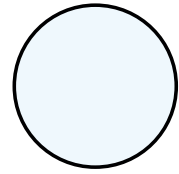
3000K 70 CRI



3500K 80 CRI



4000K 70 CRI



5000K 70 CRI

Color	Dominant or Peak Wavelength Range (nm)	
	Minimum	Maximum
Amber	585	600

LUMEN MAINTENANCE DATA							
Ambient Temperature	Drive Current	L90 Hours*	L70 Hours**	30,000 Hours*	50,000 Hours*	60,000 Hours*	100,000 Hours**
25°C	Up to 700mA	58,000	173,000	95.7%	91.6%	89.6%	82.1%
	1050mA	48,000	143,000	94.3%	89.5%	87.2%	78.5%

\*Reported extrapolations per IESNA TM-21      \*\*Projected extrapolations per IESNA TM-21

MULTIPLIERS FOR 70/80/90 CRI (Scaling Factor from 5000K 70 CRI)			
CCT	70 CRI	80 CRI	90 CRI
2700K	0.840	0.737	0.609
3000K	0.975	0.776	0.640
3500K	0.890	0.800	0.659
4000K	1.000	0.815	0.679
5000K	1.000	0.830	0.710

# PRODUCT SPECIFICATIONS

## LUMEN CHARTS

LUMEN CHART AMBER WITH T3					
PART NUMBER	T3	LPW	WATTAGE	BUG	MULTIPLIER FOR 50K7 GOING TO AMBER
NV-1-16L-40-AMBER	1309	77	17	B1-U0-G1	0.4211
NV-1-16L-53-AMBER	1574	68	23	B1-U0-G1	0.4043
NV-1-32L-35-AMBER	2181	75	29	B1-U0-G1	0.4211
NV-1-32L-53-AMBER	2545	59	43	B1-U0-G1	0.3390
NV-1-48L-35-AMBER	3260	86	38	B1-U0-G1	0.4180
NV-1-48L-53-AMBER	4001	68	59	B1-U0-G1	0.3592
NV-1-64L-35-AMBER	4121	76	54	B1-U0-G1	0.4180
NV-1-64L-53-AMBER	4995	60	83	B1-U0-G1	0.3592

LUMEN CHART AMBER WITH T2					
PART NUMBER	T2	LPW	WATTAGE	BUG	MULTIPLIER FOR 50K7 GOING TO AMBER
NV-1-16L-40-AMBER	1265	74	17	B0-U0-G0	0.4211
NV-1-16L-53-AMBER	1528	66	23	B1-U0-G1	0.4043
NV-1-32L-35-AMBER	2211	76	29	B1-U0-G1	0.4211
NV-1-32L-53-AMBER	2618	61	43	B1-U0-G1	0.3390
NV-1-48L-35-AMBER	3173	84	38	B1-U0-G1	0.4180
NV-1-48L-53-AMBER	3859	65	59	B1-U0-G1	0.3592
NV-1-64L-35-AMBER	4178	77	54	B1-U0-G1	0.4180
NV-1-64L-53-AMBER	5069	61	83	B1-U0-G1	0.3592

LUMEN CHART AMBER WITH T4FTW					
PART NUMBER	T4FTW	LPW	WATTAGE	BUG	MULTIPLIER FOR 50K7 GOING TO AMBER
NV-1-16L-40-AMBER	1105	65	17	B0-U0-G1	0.4211
NV-1-16L-53-AMBER	1257	55	23	B0-U0-G1	0.4043
NV-1-32L-35-AMBER	1828	63	29	B1-U0-G1	0.4211
NV-1-32L-53-AMBER	2105	49	43	B1-U0-G1	0.3390
NV-1-48L-35-AMBER	2826	74	38	B1-U0-G1	0.4180
NV-1-48L-53-AMBER	3405	58	59	B1-U0-G2	0.3592
NV-1-64L-35-AMBER	3974	74	54	B1-U0-G2	0.4180
NV-1-64L-53-AMBER	4810	58	83	B1-U0-G2	0.3592

LUMEN CHART AMBER WITH T5W					
PART NUMBER	T5W	LPW	WATTAGE	BUG	MULTIPLIER FOR 50K7 GOING TO AMBER
NV-1-16L-40-AMBER	1224	72	17	B1-U0-G1	0.4211
NV-1-16L-53-AMBER	1619	70	23	B1-U0-G1	0.4043
NV-1-32L-35-AMBER	2152	74	29	B2-U0-G1	0.4211
NV-1-32L-53-AMBER	2672	62	43	B2-U0-G1	0.3390
NV-1-48L-35-AMBER	3130	82	38	B2-U0-G1	0.4180
NV-1-48L-53-AMBER	4086	69	59	B3-U0-G1	0.3592
NV-1-64L-35-AMBER	4163	77	54	B3-U0-G1	0.4180
NV-1-64L-53-AMBER	5349	64	83	B3-U0-G1	0.3592

# PRODUCT SPECIFICATIONS

## LUMEN CHARTS

### NV-1-16L

PART NUMBER	STANDARD SILICONE OPTICS						PERFORMANCE SILICONE OPTICS				WATTAGE
	T2	LPW	T3	LPW	T3M	LM/W	T4FTW	LPW	T5W	LPW	
NV-1-16L-4-27K7	2523	120	2611	124	2523	120	2247	107	2489	119	21
NV-1-16L-4-27K8	2213	105	2291	109	2351	112	2104	100	2331	111	21
NV-1-16L-4-30K7	2928	139	3030	144	2928	139	2249	107	2788	133	21
NV-1-16L-4-30K8	2330	111	2412	115	2538	121	2089	99	2589	123	21
NV-1-16L-4-35K8	2402	114	2486	118	2547	121	2089	99	2589	123	21
NV-1-16L-4-40K7	3003	143	3108	148	3003	143	2625	125	2908	138	21
NV-1-16L-4-40K8	2447	117	2533	121	2703	129	2430	116	2692	128	21
NV-1-16L-4-50K7	3003	143	3108	148	3003	143	2625	125	2908	138	21
NV-1-16L-4-50K8	2492	119	2580	123	2703	129	2430	116	2692	128	21
NV-1-16L-53-27K7	3175	113	3269	117	3128	112	2660	95	3427	122	28
NV-1-16L-53-27K8	2786	99	2868	102	2916	104	2491	89	3209	115	28
NV-1-16L-53-30K7	3686	132	3795	136	3631	130	2876	103	3706	132	28
NV-1-16L-53-30K8	2933	105	3020	108	3147	112	2671	95	3442	123	28
NV-1-16L-53-35K8	3024	108	3114	111	3158	113	2671	95	3442	123	28
NV-1-16L-53-40K7	3780	135	3892	139	3724	133	3248	116	4004	143	28
NV-1-16L-53-40K8	3081	110	3172	113	3352	120	3006	107	3706	132	28
NV-1-16L-53-50K7	3780	135	3892	139	3724	133	3248	116	4004	143	28
NV-1-16L-53-50K8	3137	112	3230	115	3352	120	3006	107	3706	132	28
NV-1-16L-7-27K7	3810	106	3931	109	3568	99	3297	92	4376	122	36
NV-1-16L-7-27K8	3343	93	3449	96	3326	92	3087	86	4098	114	36
NV-1-16L-7-30K7	4423	123	4563	127	4142	115	3565	99	4731	131	36
NV-1-16L-7-30K8	3520	98	3632	101	3590	100	3311	92	4394	122	36
NV-1-16L-7-35K8	3629	101	3744	104	3602	100	3311	92	4394	122	36
NV-1-16L-7-40K7	4536	126	4680	130	4248	118	3852	107	5112	142	36
NV-1-16L-7-40K8	3697	103	3814	106	3823	106	3565	99	4732	131	36
NV-1-16L-7-50K7	4536	126	4680	130	4248	118	3852	107	5112	142	36
NV-1-16L-7-50K8	3765	105	3884	108	3823	106	3565	99	4732	131	36
NV-1-16L-1-27K7	5849	104	5999	107	5470	98	5038	90	6061	108	56
NV-1-16L-1-27K8	5132	92	5264	94	5099	91	4718	84	5676	101	56
NV-1-16L-1-30K7	6789	121	6963	124	6349	113	5447	97	6553	117	56
NV-1-16L-1-30K8	5403	96	5542	99	5503	98	5059	90	6086	109	56
NV-1-16L-1-35K8	5570	99	5714	102	5522	99	5059	90	6086	109	56
NV-1-16L-1-40K7	6963	124	7142	128	6512	116	5886	105	7081	126	56
NV-1-16L-1-40K8	5675	101	5821	104	5861	105	5448	97	6554	117	56
NV-1-16L-1-50K7	6963	124	7142	128	6512	116	5886	105	7081	126	56
NV-1-16L-1-50K8	5779	103	5928	106	5861	105	5448	97	6554	117	56

# PRODUCT SPECIFICATIONS

## LUMEN CHARTS

### NV-1-32L

PART NUMBER	STANDARD SILICONE OPTICS						PERFORMANCE SILICONE OPTICS				WATTAGE
	T2	LPW	T3	LPW	T3M	LM/W	T4FTW	LPW	T5W	LPW	
NV-1-32L-7-27K7	7992	113	7753	109	7395	104	6442	91	8873	125	71
NV-1-32L-7-27K8	7012	99	6803	96	6894	97	6033	85	8309	117	71
NV-1-32L-7-30K7	9276	131	8999	127	8584	121	6965	98	9594	135	71
NV-1-32L-7-30K8	7383	104	7162	101	7439	105	6468	91	8910	125	71
NV-1-32L-7-35K8	7611	107	7384	104	7466	105	6468	91	8910	125	71
NV-1-32L-7-40K7	9514	134	9230	130	8804	124	7526	106	10366	146	71
NV-1-32L-7-40K8	7754	109	7522	106	7924	112	6966	98	9595	135	71
NV-1-32L-7-50K7	9514	134	9230	130	8804	124	7526	106	10366	146	71
NV-1-32L-7-50K8	7897	111	7661	108	7924	112	6966	98	9595	135	71
NV-1-32L-1-27K7	11791	111	11395	108	10822	102	9462	89	11794	111	106
NV-1-32L-1-27K8	10345	98	9998	94	10087	95	8861	84	11044	104	106
NV-1-32L-1-30K7	13686	129	13227	125	12561	118	10230	97	12752	120	106
NV-1-32L-1-30K8	10893	103	10527	99	10886	103	9500	90	11843	112	106
NV-1-32L-1-35K8	11230	106	10853	102	10925	103	9500	90	11843	112	106
NV-1-32L-1-40K7	14037	132	13566	128	12883	122	11054	104	13778	130	106
NV-1-32L-1-40K8	11440	108	11056	104	11595	109	10232	97	12753	120	106
NV-1-32L-1-50K7	14037	132	13566	128	12883	122	11054	104	13778	130	106
NV-1-32L-1-50K8	11651	110	11260	106	11595	109	10232	97	12753	120	106

### NV-1-48L

PART NUMBER	STANDARD SILICONE OPTICS						PERFORMANCE SILICONE OPTICS				WATTAGE
	T2	LPW	T3	LPW	T3M	LM/W	T4FTW	LPW	T5W	LPW	
NV-1-48L-7-27K7	11007	106	11444	110	10483	101	9793	94	12730	122	104
NV-1-48L-7-27K8	9658	93	10041	97	9772	94	9171	88	11921	115	104
NV-1-48L-7-30K7	12776	123	13283	128	12168	117	10588	102	13764	132	104
NV-1-48L-7-30K8	10169	98	10572	102	10546	101	9833	95	12782	123	104
NV-1-48L-7-35K8	10483	101	10899	105	10583	102	9833	95	12782	123	104
NV-1-48L-7-40K7	13104	126	13624	131	12480	120	11440	110	14872	143	104
NV-1-48L-7-40K8	10680	103	11104	107	11232	108	10589	102	13766	132	104
NV-1-48L-7-50K7	13104	126	13624	131	12480	120	11440	110	14872	143	104
NV-1-48L-7-50K8	10876	105	11308	109	11232	108	10589	102	13766	132	104
NV-1-48L-1-27K7	16188	104	16891	108	15444	99	14416	92	16981	109	156
NV-1-48L-1-27K8	14203	91	14820	95	14396	92	13500	87	15902	102	156
NV-1-48L-1-30K7	18789	120	19605	126	17926	115	15586	100	18360	118	156
NV-1-48L-1-30K8	14954	96	15604	100	15536	100	14474	93	17051	109	156
NV-1-48L-1-35K8	15417	99	16086	103	15591	100	14474	93	17051	109	156
NV-1-48L-1-40K7	19271	124	20108	129	18386	118	16841	108	19838	127	156
NV-1-48L-1-40K8	15706	101	16388	105	16547	106	15588	100	18362	118	156
NV-1-48L-1-50K7	19271	124	20108	129	18386	118	16841	108	19838	127	156
NV-1-48L-1-50K8	15995	103	16690	107	16547	106	15588	100	18362	118	156

# PRODUCT SPECIFICATIONS

## LUMEN CHARTS

### NV-1-64L

PART NUMBER	STANDARD SILICONE OPTICS						PERFORMANCE SILICONE OPTICS				WATTAGE
	T2	LPW	T3	LPW	T3M	LM/W	T4FTW	LPW	T5W	LPW	
NV-1-64L-35-27K7	8397	123	8282	122	8558	126	8133	120	8526	125	68
NV-1-64L-35-27K8	7367	108	7267	107	7977	117	7616	112	7984	117	68
NV-1-64L-35-30K7	9746	143	9614	141	9933	146	8793	129	9218	136	68
NV-1-64L-35-30K8	7757	114	7651	113	8609	127	8166	120	8561	126	68
NV-1-64L-35-35K8	7997	118	7888	116	8639	127	8166	120	8561	126	68
NV-1-64L-35-40K7	9996	147	9860	145	10188	150	9501	140	9960	146	68
NV-1-64L-35-40K8	8147	120	8036	118	9169	135	8794	129	9219	136	68
NV-1-64L-35-50K7	9996	147	9860	145	10188	150	9501	140	9960	146	68
NV-1-64L-35-50K8	8297	122	8184	120	9169	135	8794	129	9219	136	68
NV-1-64L-53-27K7	11853	115	11680	113	11680	113	11462	111	12745	124	103
NV-1-64L-53-27K8	10400	101	10248	99	10888	106	10734	104	11935	116	103
NV-1-64L-53-30K7	13758	134	13557	132	13557	132	12392	120	13780	134	103
NV-1-64L-53-30K8	10950	106	10790	105	11750	114	11508	112	12797	124	103
NV-1-64L-53-35K8	11289	110	11124	108	11791	114	11508	112	12797	124	103
NV-1-64L-53-40K7	14111	137	13905	135	13905	135	13390	130	14890	145	103
NV-1-64L-53-40K8	11500	112	11333	110	12515	122	12394	120	13782	134	103
NV-1-64L-53-50K7	14111	137	13905	135	13905	135	13390	130	14890	145	103
NV-1-64L-53-50K8	11712	114	11541	112	12515	122	12394	120	13782	134	103
NV-1-64L-7-27K7	14829	107	14595	105	14245	102	14293	103	17061	123	139
NV-1-64L-7-27K8	13010	94	12805	92	13278	96	13385	96	15977	115	139
NV-1-64L-7-30K7	17212	124	16941	122	16534	119	15453	111	18446	133	139
NV-1-64L-7-30K8	13699	99	13483	97	14330	103	14351	103	17130	123	139
NV-1-64L-7-35K8	14122	102	13900	100	14380	103	14351	103	17130	123	139
NV-1-64L-7-40K7	17653	127	17375	125	16958	122	16697	120	19931	143	139
NV-1-64L-7-40K8	14387	104	14161	102	15262	110	15455	111	18448	133	139
NV-1-64L-7-50K7	17653	127	17375	125	16958	122	16697	120	19931	143	139
NV-1-64L-7-50K8	14652	105	14421	104	15262	110	15455	111	18448	133	139
NV-1-64L-1-27K7	21748	105	21331	103	20860	101	20931	101	22567	109	207
NV-1-64L-1-27K8	19082	92	18715	90	19444	94	19601	95	21133	102	207
NV-1-64L-1-30K7	25244	122	24759	120	24212	117	22630	109	24399	118	207
NV-1-64L-1-30K8	20091	97	19706	95	20984	101	21016	102	22659	109	207
NV-1-64L-1-35K8	20713	100	20315	98	21058	102	21016	102	22659	109	207
NV-1-64L-1-40K7	25891	125	25394	123	24833	120	24452	118	26363	127	207
NV-1-64L-1-40K8	21101	102	20696	100	22350	108	22633	109	24402	118	207
NV-1-64L-1-50K7	25891	125	25394	123	24833	120	24452	118	26363	127	207
NV-1-64L-1-50K8	21490	104	21077	102	22350	108	22633	109	24402	118	207

# PRODUCT SPECIFICATIONS

## HSS LUMEN CHARTS

### NV-1-16L

LUMEN CHART SILICONE MICRO OPTICS W/HSS													
PART NUMBER	T2 HSS	LPW	T3 HSS	LPW	T4 HSS	LPW	CDL*	LPW	CDR*	LPW	T4FTW	LPW	WATTAGE
NV-1-16L-40-27K7-HSS	1386	66	1336	64	1343	64	-	-	-	-	1528	73	21
NV-1-16L-40-27K8-HSS	1298	62	1251	60	1258	60	-	-	-	-	1431	68	21
NV-1-16L-40-30K7-HSS	1499	71	1445	69	1452	69	-	-	-	-	1652	79	21
NV-1-16L-40-30K8-HSS	1392	66	1342	64	1348	64	-	-	-	-	1534	73	21
NV-1-16L-40-35K8-HSS	1392	66	1342	64	1348	64	-	-	-	-	1534	73	21
NV-1-16L-40-40K7-HSS	1620	77	1561	74	1569	75	-	-	-	-	1785	85	21
NV-1-16L-40-40K8-HSS	1499	71	1445	69	1452	69	-	-	-	-	1652	79	21
NV-1-16L-40-50K7-HSS	1620	77	1561	74	1569	75	-	-	-	-	1785	85	21
NV-1-16L-40-50K8-HSS	1499	71	1445	69	1452	69	-	-	-	-	1652	79	21
NV-1-16L-53-27K7-HSS	1837	66	1771	63	1780	64	-	-	-	-	1822	65	28
NV-1-16L-53-27K8-HSS	1720	61	1658	59	1667	60	-	-	-	-	1706	61	28
NV-1-16L-53-30K7-HSS	1986	71	1914	68	1924	69	-	-	-	-	1969	70	28
NV-1-16L-53-30K8-HSS	1844	66	1777	63	1787	64	-	-	-	-	1829	65	28
NV-1-16L-53-35K8-HSS	1844	66	1777	63	1787	64	-	-	-	-	1829	65	28
NV-1-16L-53-40K7-HSS	2146	77	2068	74	2079	74	-	-	-	-	2128	76	28
NV-1-16L-53-40K8-HSS	1986	71	1914	68	1924	69	-	-	-	-	1970	70	28
NV-1-16L-53-50K7-HSS	2146	77	2068	74	2079	74	-	-	-	-	2128	76	28
NV-1-16L-53-50K8-HSS	1986	71	1914	68	1924	69	-	-	-	-	1970	70	28
NV-1-16L-7-27K7-HSS	2426	67	2338	65	2350	65	-	-	-	-	2065	57	36
NV-1-16L-7-27K8-HSS	2272	63	2189	61	2201	61	-	-	-	-	1933	54	36
NV-1-16L-7-30K7-HSS	2623	73	2528	70	2541	71	-	-	-	-	2232	62	36
NV-1-16L-7-30K8-HSS	2436	68	2348	65	2360	66	-	-	-	-	2073	58	36
NV-1-16L-7-35K8-HSS	2436	68	2348	65	2360	66	-	-	-	-	2073	58	36
NV-1-16L-7-40K7-HSS	2835	79	2732	76	2746	76	-	-	-	-	2412	67	36
NV-1-16L-7-40K8-HSS	2624	73	2529	70	2542	71	-	-	-	-	2233	62	36
NV-1-16L-7-50K7-HSS	2835	79	2732	76	2746	76	-	-	-	-	2412	67	36
NV-1-16L-7-50K8-HSS	2624	73	2529	70	2542	71	-	-	-	-	2233	62	36
NV-1-16L-1-27K7-HSS	3639	65	3508	63	3526	63	-	-	-	-	3116	56	56
NV-1-16L-1-27K8-HSS	3408	61	3285	59	3302	59	-	-	-	-	2918	52	56
NV-1-16L-1-30K7-HSS	3935	70	3792	68	3812	68	-	-	-	-	3369	60	56
NV-1-16L-1-30K8-HSS	3654	65	3522	63	3540	63	-	-	-	-	3129	56	56
NV-1-16L-1-35K8-HSS	3654	65	3522	63	3540	63	-	-	-	-	3129	56	56
NV-1-16L-1-40K7-HSS	4252	76	4098	73	4119	74	-	-	-	-	3640	65	56
NV-1-16L-1-40K8-HSS	3936	70	3793	68	3813	68	-	-	-	-	3369	60	56
NV-1-16L-1-50K7-HSS	4252	76	4098	73	4119	74	-	-	-	-	3640	65	56
NV-1-16L-1-50K8-HSS	3936	70	3793	68	3813	68	-	-	-	-	3369	60	56

# PRODUCT SPECIFICATIONS

## HSS LUMEN CHARTS

### NV-1-32L

LUMEN CHART SILICONE MICRO OPTICS W/HSS													
PART NUMBER	T2 HSS	LPW	T3 HSS	LPW	T4 HSS	LPW	CDL*	LPW	CDR*	LPW	T4FTW	LPW	WATTAGE
NV-1-32L-7-27K7-HSS	4853	68	4677	66	4701	66	-	-	-	-	4011	56	71
NV-1-32L-7-27K8-HSS	4545	64	4380	62	4402	62	-	-	-	-	3756	53	71
NV-1-32L-7-30K7-HSS	5247	74	5057	71	5083	72	-	-	-	-	4337	61	71
NV-1-32L-7-30K8-HSS	4873	69	4696	66	4720	66	-	-	-	-	4028	57	71
NV-1-32L-7-35K8-HSS	4873	69	4696	66	4720	66	-	-	-	-	4028	57	71
NV-1-32L-7-40K7-HSS	5669	80	5464	77	5492	77	-	-	-	-	4686	66	71
NV-1-32L-7-40K8-HSS	5247	74	5058	71	5083	72	-	-	-	-	4337	61	71
NV-1-32L-7-50K7-HSS	5669	80	5464	77	5492	77	-	-	-	-	4686	66	71
NV-1-32L-7-50K8-HSS	5247	74	5058	71	5083	72	-	-	-	-	4337	61	71
NV-1-32L-1-27K7-HSS	7279	69	7015	66	7051	67	-	-	-	-	5807	55	106
NV-1-32L-1-27K8-HSS	6816	64	6569	62	6603	62	-	-	-	-	5438	51	106
NV-1-32L-1-30K7-HSS	7870	74	7585	72	7624	72	-	-	-	-	6279	59	106
NV-1-32L-1-30K8-HSS	7309	69	7044	66	7080	67	-	-	-	-	5831	55	106
NV-1-32L-1-35K8-HSS	7309	69	7044	66	7080	67	-	-	-	-	5831	55	106
NV-1-32L-1-40K7-HSS	8504	80	8196	77	8238	78	-	-	-	-	6784	64	106
NV-1-32L-1-40K8-HSS	7871	74	7586	72	7625	72	-	-	-	-	6279	59	106
NV-1-32L-1-50K7-HSS	8504	80	8196	77	8238	78	-	-	-	-	6232	59	106
NV-1-32L-1-50K8-HSS	7871	74	7586	72	7625	72	-	-	-	-	5836	55	106

### NV-1-48L

LUMEN CHART SILICONE MICRO OPTICS W/HSS													
PART NUMBER	T2 HSS	LPW	T3 HSS	LPW	T4 HSS	LPW	CDL*	LPW	CDR*	LPW	T4FTW	LPW	WATTAGE
NV-1-48L-7-27K7-HSS	7279	70	7015	67	7051	68	-	-	-	-	6232	60	104
NV-1-48L-7-27K8-HSS	6816	66	6569	63	6603	63	-	-	-	-	5836	56	104
NV-1-48L-7-30K7-HSS	7870	76	7585	73	7624	73	-	-	-	-	6738	65	104
NV-1-48L-7-30K8-HSS	7309	70	7044	68	7080	68	-	-	-	-	6257	60	104
NV-1-48L-7-35K8-HSS	7309	70	7044	68	7080	68	-	-	-	-	6257	60	104
NV-1-48L-7-40K7-HSS	8504	82	8196	79	8238	79	-	-	-	-	7280	70	104
NV-1-48L-7-40K8-HSS	7871	76	7586	73	7625	73	-	-	-	-	6738	65	104
NV-1-48L-7-50K7-HSS	8504	82	8196	79	8238	79	-	-	-	-	7280	70	104
NV-1-48L-7-50K8-HSS	7871	76	7586	73	7625	73	-	-	-	-	6738	65	104
NV-1-48L-1-27K7-HSS	10918	70	10523	67	10577	68	-	-	-	-	9080	58	156
NV-1-48L-1-27K8-HSS	10224	66	9854	63	9905	63	-	-	-	-	8503	55	156
NV-1-48L-1-30K7-HSS	11805	76	11377	73	11436	73	-	-	-	-	9818	63	156
NV-1-48L-1-30K8-HSS	10963	70	10566	68	10620	68	-	-	-	-	9117	58	156
NV-1-48L-1-35K8-HSS	10963	70	10566	68	10620	68	-	-	-	-	9117	58	156
NV-1-48L-1-40K7-HSS	12755	82	12293	79	12356	79	-	-	-	-	10608	68	156
NV-1-48L-1-40K8-HSS	11806	76	11379	73	11437	73	-	-	-	-	9819	63	156
NV-1-48L-1-50K7-HSS	12755	82	12293	79	12356	79	-	-	-	-	10608	68	156
NV-1-48L-1-50K8-HSS	11806	76	11379	73	11437	73	-	-	-	-	9819	63	156

# PRODUCT SPECIFICATIONS

## HSS LUMEN CHARTS

### NV-1-64L

LUMEN CHART SILICONE MICRO OPTICS W/HSS													
PART NUMBER	T2 HSS	LPW	T3 HSS	LPW	T4 HSS	LPW	CDL*	LPW	CDR*	LPW	T4FTW	LPW	WATTAGE
NV-1-64L-35-27K7-HSS	-	-	-	-	-	-	-	-	-	-	5821	86	68
NV-1-64L-35-27K8-HSS	-	-	-	-	-	-	-	-	-	-	5451	80	68
NV-1-64L-35-30K7-HSS	-	-	-	-	-	-	-	-	-	-	6293	93	68
NV-1-64L-35-30K8-HSS	-	-	-	-	-	-	-	-	-	-	5845	86	68
NV-1-64L-35-35K8-HSS	-	-	-	-	-	-	-	-	-	-	5845	86	68
NV-1-64L-35-40K7-HSS	-	-	-	-	-	-	-	-	-	-	6800	100	68
NV-1-64L-35-40K8-HSS	-	-	-	-	-	-	-	-	-	-	6294	93	68
NV-1-64L-35-50K7-HSS	-	-	-	-	-	-	-	-	-	-	6800	100	68
NV-1-64L-35-50K8-HSS	-	-	-	-	-	-	-	-	-	-	6294	93	68
NV-1-64L-53-27K7-HSS	-	-	-	-	-	-	-	-	-	-	7935	77	103
NV-1-64L-53-27K8-HSS	-	-	-	-	-	-	-	-	-	-	7431	72	103
NV-1-64L-53-30K7-HSS	-	-	-	-	-	-	-	-	-	-	8579	83	103
NV-1-64L-53-30K8-HSS	-	-	-	-	-	-	-	-	-	-	7967	77	103
NV-1-64L-53-35K8-HSS	-	-	-	-	-	-	-	-	-	-	7967	77	103
NV-1-64L-53-40K7-HSS	-	-	-	-	-	-	-	-	-	-	9270	90	103
NV-1-64L-53-40K8-HSS	-	-	-	-	-	-	-	-	-	-	8580	83	103
NV-1-64L-53-50K7-HSS	-	-	-	-	-	-	-	-	-	-	9270	90	103
NV-1-64L-53-50K8-HSS	-	-	-	-	-	-	-	-	-	-	8580	83	103
NV-1-64L-7-27K7-HSS	9705	70	9354	67	9402	68	5797	42	5725	41	9519	68	139
NV-1-64L-7-27K8-HSS	9088	65	8760	63	8804	63	5429	39	5361	39	8914	64	139
NV-1-64L-7-30K7-HSS	10493	75	10113	73	10165	73	6191	45	6190	45	10292	74	139
NV-1-64L-7-30K8-HSS	9745	70	9392	68	9440	68	5749	41	5749	41	9558	69	139
NV-1-64L-7-35K8-HSS	9745	70	9392	68	9440	68	5749	41	5749	41	9558	69	139
NV-1-64L-7-40K7-HSS	11338	82	10927	79	10983	79	6689	48	6689	48	11120	80	139
NV-1-64L-7-40K8-HSS	10495	76	10114	73	10166	73	6191	45	6191	45	10293	74	139
NV-1-64L-7-50K7-HSS	11338	82	10927	79	10983	79	6689	48	6689	48	11120	80	139
NV-1-64L-7-50K8-HSS	10495	76	10114	73	10166	73	6191	45	6191	45	10293	74	139
NV-1-64L-1A-27K7-HSS	14558	70	14031	68	14103	68	8695	42	8695	42	13865	67	207
NV-1-64L-1A-27K8-HSS	13633	66	13139	63	13207	64	8142	39	8142	39	12984	63	207
NV-1-64L-1A-30K7-HSS	15740	76	15170	73	15248	74	9286	45	9286	45	14990	72	207
NV-1-64L-1A-30K8-HSS	14617	71	14088	68	14160	68	8624	42	8624	42	13921	67	207
NV-1-64L-1A-35K8-HSS	14617	71	14088	68	14160	68	8624	42	8624	42	13921	67	207
NV-1-64L-1A-40K7-HSS	17007	82	16391	79	16475	80	10034	48	10034	48	16197	78	207
NV-1-64L-1A-40K8-HSS	15742	76	15172	73	15250	74	9288	45	9288	45	14992	72	207
NV-1-64L-1A-50K7-HSS	17007	82	16391	79	16475	80	10034	48	10034	48	16197	78	207
NV-1-64L-1A-50K8-HSS	15742	76	15172	73	15250	74	9288	45	9288	45	14992	72	207

\*64L Only



701 Kingshill Place, Carson, CA 90746  
Call Us Today (310) 341-2037

nlsighting.com

# PRODUCT SPECIFICATIONS

## BUG RATINGS

### NV-1-16L

PART NUMBER	STANDARD SILICONE OPTICS			PERFORMANCE SILICONE OPTICS	
	T2	T3	T3M	T4FTW	T5W
NV-1-16L-4-27K7	B1-U0-G1	B1-U0-G1	B1-U0-G2	B1-U0-G2	B2-U0-G1
NV-1-16L-4-27K8	B1-U0-G1	B1-U0-G1	B1-U0-G2	B1-U0-G2	B2-U0-G1
NV-1-16L-4-30K7	B1-U0-G1	B1-U0-G1	B1-U0-G2	B1-U0-G2	B2-U0-G1
NV-1-16L-4-30K8	B1-U0-G1	B1-U0-G1	B1-U0-G2	B1-U0-G2	B2-U0-G1
NV-1-16L-4-35K8	B1-U0-G1	B1-U0-G1	B1-U0-G2	B1-U0-G2	B2-U0-G1
NV-1-16L-4-40K7	B1-U0-G1	B1-U0-G1	B1-U0-G2	B1-U0-G2	B2-U0-G1
NV-1-16L-4-40K8	B1-U0-G1	B1-U0-G1	B1-U0-G2	B1-U0-G2	B2-U0-G1
NV-1-16L-4-50K7	B1-U0-G1	B1-U0-G1	B1-U0-G2	B1-U0-G2	B2-U0-G1
NV-1-16L-4-50K8	B1-U0-G1	B1-U0-G1	B1-U0-G2	B1-U0-G2	B2-U0-G1
NV-1-16L-53-27K7	B1-U0-G1	B1-U0-G1	B1-U0-G2	B1-U0-G2	B3-U0-G2
NV-1-16L-53-27K8	B1-U0-G1	B1-U0-G1	B1-U0-G2	B1-U0-G2	B3-U0-G2
NV-1-16L-53-30K7	B1-U0-G1	B1-U0-G1	B1-U0-G2	B1-U0-G2	B3-U0-G2
NV-1-16L-53-30K8	B1-U0-G1	B1-U0-G1	B1-U0-G2	B1-U0-G2	B3-U0-G2
NV-1-16L-53-35K8	B1-U0-G1	B1-U0-G1	B1-U0-G2	B1-U0-G2	B3-U0-G2
NV-1-16L-53-40K7	B1-U0-G1	B1-U0-G1	B1-U0-G2	B1-U0-G2	B3-U0-G2
NV-1-16L-53-40K8	B1-U0-G1	B1-U0-G1	B1-U0-G2	B1-U0-G2	B3-U0-G2
NV-1-16L-53-50K7	B1-U0-G1	B1-U0-G1	B1-U0-G2	B1-U0-G2	B3-U0-G2
NV-1-16L-53-50K8	B1-U0-G1	B1-U0-G1	B1-U0-G2	B1-U0-G2	B3-U0-G2
NV-1-16L-7-27K7	B1-U0-G1	B1-U0-G1	B1-U0-G2	B1-U0-G2	B3-U0-G2
NV-1-16L-7-27K8	B1-U0-G1	B1-U0-G1	B1-U0-G2	B1-U0-G2	B3-U0-G2
NV-1-16L-7-30K7	B1-U0-G1	B1-U0-G1	B1-U0-G2	B1-U0-G2	B3-U0-G2
NV-1-16L-7-30K8	B1-U0-G1	B1-U0-G1	B1-U0-G2	B1-U0-G2	B3-U0-G2
NV-1-16L-7-35K8	B1-U0-G1	B1-U0-G1	B1-U0-G2	B1-U0-G2	B3-U0-G2
NV-1-16L-7-40K7	B1-U0-G1	B1-U0-G1	B1-U0-G2	B1-U0-G2	B3-U0-G2
NV-1-16L-7-40K8	B1-U0-G1	B1-U0-G1	B1-U0-G2	B1-U0-G2	B3-U0-G2
NV-1-16L-7-50K7	B1-U0-G1	B1-U0-G1	B1-U0-G2	B1-U0-G2	B3-U0-G2
NV-1-16L-7-50K8	B1-U0-G1	B1-U0-G1	B1-U0-G2	B1-U0-G2	B3-U0-G2
NV-1-16L-1-27K7	B1-U0-G1	B2-U0-G2	B1-U0-G3	B1-U0-G2	B3-U0-G2
NV-1-16L-1-27K8	B1-U0-G1	B2-U0-G2	B1-U0-G3	B1-U0-G2	B3-U0-G2
NV-1-16L-1-30K7	B2-U0-G2	B2-U0-G2	B1-U0-G3	B1-U0-G2	B3-U0-G2
NV-1-16L-1-30K8	B2-U0-G2	B2-U0-G2	B1-U0-G3	B1-U0-G2	B3-U0-G2
NV-1-16L-1-35K8	B2-U0-G2	B2-U0-G2	B1-U0-G3	B1-U0-G2	B3-U0-G2
NV-1-16L-1-40K7	B2-U0-G2	B2-U0-G2	B1-U0-G3	B1-U0-G2	B3-U0-G2
NV-1-16L-1-40K8	B2-U0-G2	B2-U0-G2	B1-U0-G3	B1-U0-G2	B3-U0-G2
NV-1-16L-1-50K7	B2-U0-G2	B2-U0-G2	B1-U0-G3	B1-U0-G2	B3-U0-G2
NV-1-16L-1-50K8	B2-U0-G2	B2-U0-G2	B1-U0-G3	B1-U0-G2	B3-U0-G2

# PRODUCT SPECIFICATIONS

## BUG RATINGS

### NV-1-32L

PART NUMBER	STANDARD SILICONE OPTICS			PERFORMANCE SILICONE OPTICS	
	T2	T3	T3M	T4FTW	T5W
NV-1-32L-7-27K7	B2-U0-G2	B2-U0-G2	B1-U0-G3	B2-U0-G3	B4-U0-G2
NV-1-32L-7-27K8	B2-U0-G2	B2-U0-G2	B1-U0-G3	B2-U0-G3	B4-U0-G2
NV-1-32L-7-30K7	B2-U0-G2	B2-U0-G2	B2-U0-G3	B2-U0-G3	B4-U0-G2
NV-1-32L-7-30K8	B2-U0-G2	B2-U0-G2	B1-U0-G3	B2-U0-G3	B4-U0-G2
NV-1-32L-7-35K8	B2-U0-G2	B2-U0-G2	B1-U0-G3	B2-U0-G3	B4-U0-G2
NV-1-32L-7-40K7	B2-U0-G2	B2-U0-G2	B2-U0-G3	B2-U0-G3	B4-U0-G2
NV-1-32L-7-40K8	B2-U0-G2	B2-U0-G2	B2-U0-G3	B2-U0-G3	B4-U0-G2
NV-1-32L-7-50K7	B2-U0-G2	B2-U0-G2	B2-U0-G3	B2-U0-G3	B4-U0-G2
NV-1-32L-7-50K8	B2-U0-G2	B2-U0-G2	B2-U0-G3	B2-U0-G3	B4-U0-G2
NV-1-32L-1-27K7	B2-U0-G2	B3-U0-G3	B2-U0-G3	B2-U0-G3	B4-U0-G3
NV-1-32L-1-27K8	B2-U0-G2	B3-U0-G3	B2-U0-G3	B2-U0-G3	B4-U0-G3
NV-1-32L-1-30K7	B2-U0-G2	B3-U0-G3	B2-U0-G4	B2-U0-G3	B4-U0-G3
NV-1-32L-1-30K8	B2-U0-G2	B3-U0-G3	B2-U0-G3	B2-U0-G3	B4-U0-G3
NV-1-32L-1-35K8	B2-U0-G2	B3-U0-G3	B2-U0-G3	B2-U0-G3	B4-U0-G3
NV-1-32L-1-40K7	B2-U0-G2	B3-U0-G3	B2-U0-G4	B2-U0-G3	B4-U0-G3
NV-1-32L-1-40K8	B2-U0-G2	B3-U0-G3	B2-U0-G4	B2-U0-G3	B4-U0-G3
NV-1-32L-1-50K7	B2-U0-G2	B3-U0-G3	B2-U0-G4	B2-U0-G3	B4-U0-G3
NV-1-32L-1-50K8	B2-U0-G2	B3-U0-G3	B2-U0-G4	B2-U0-G3	B4-U0-G3

### NV-1-48L

PART NUMBER	STANDARD SILICONE OPTICS			PERFORMANCE SILICONE OPTICS	
	T2	T3	T3M	T4FTW	T5W
NV-1-48L-7-27K7	B2-U0-G2	B2-U0-G2	B2-U0-G3	B2-U0-G3	B4-U0-G3
NV-1-48L-7-27K8	B2-U0-G2	B2-U0-G2	B2-U0-G3	B2-U0-G3	B4-U0-G3
NV-1-48L-7-30K7	B2-U0-G2	B3-U0-G3	B2-U0-G4	B2-U0-G3	B4-U0-G3
NV-1-48L-7-30K8	B2-U0-G2	B3-U0-G3	B2-U0-G3	B2-U0-G3	B4-U0-G3
NV-1-48L-7-35K8	B2-U0-G2	B3-U0-G3	B2-U0-G3	B2-U0-G3	B4-U0-G3
NV-1-48L-7-40K7	B2-U0-G2	B3-U0-G3	B2-U0-G4	B3-U0-G4	B4-U0-G3
NV-1-48L-7-40K8	B2-U0-G2	B3-U0-G3	B2-U0-G3	B3-U0-G4	B4-U0-G3
NV-1-48L-7-50K7	B2-U0-G2	B3-U0-G3	B2-U0-G4	B3-U0-G4	B4-U0-G3
NV-1-48L-7-50K8	B2-U0-G2	B3-U0-G3	B2-U0-G3	B3-U0-G4	B4-U0-G3
NV-1-48L-1-27K7	B3-U0-G3	B3-U0-G3	B3-U0-G4	B3-U0-G4	B4-U0-G3
NV-1-48L-1-27K8	B3-U0-G3	B3-U0-G3	B2-U0-G4	B3-U0-G4	B4-U0-G3
NV-1-48L-1-30K7	B3-U0-G3	B3-U0-G3	B3-U0-G4	B3-U0-G4	B5-U0-G3
NV-1-48L-1-30K8	B3-U0-G3	B3-U0-G3	B3-U0-G4	B3-U0-G4	B5-U0-G3
NV-1-48L-1-35K8	B3-U0-G3	B3-U0-G3	B3-U0-G4	B3-U0-G4	B5-U0-G3
NV-1-48L-1-40K7	B3-U0-G3	B3-U0-G3	B3-U0-G5	B3-U0-G4	B5-U0-G3
NV-1-48L-1-40K8	B3-U0-G3	B3-U0-G3	B3-U0-G4	B3-U0-G4	B5-U0-G3
NV-1-48L-1-50K7	B3-U0-G3	B3-U0-G3	B3-U0-G5	B3-U0-G4	B5-U0-G3
NV-1-48L-1-50K8	B3-U0-G3	B3-U0-G3	B3-U0-G4	B3-U0-G4	B5-U0-G3



701 Kingshill Place, Carson, CA 90746  
 Call Us Today (310) 341-2037

[nlsighting.com](http://nlsighting.com)

# PRODUCT SPECIFICATIONS

## BUG RATINGS

### NV-1-64L

PART NUMBER	STANDARD SILICONE OPTICS			PERFORMANCE SILICONE OPTICS	
	T2	T3	T3M	T4FTW	T5W
NV-1-64L-35-27K7	B2-U0-G2	B2-U0-G2	B2-U0-G3	B3-U0-G4	B5-U0-G3
NV-1-64L-35-27K8	B2-U0-G2	B2-U0-G2	B2-U0-G3	B3-U0-G4	B5-U0-G3
NV-1-64L-35-30K7	B2-U0-G2	B2-U0-G2	B2-U0-G3	B3-U0-G4	B5-U0-G3
NV-1-64L-35-30K8	B2-U0-G2	B2-U0-G2	B2-U0-G3	B3-U0-G4	B5-U0-G3
NV-1-64L-35-35K8	B2-U0-G2	B2-U0-G2	B2-U0-G3	B3-U0-G4	B5-U0-G3
NV-1-64L-35-40K7	B2-U0-G2	B2-U0-G2	B2-U0-G3	B3-U0-G4	B5-U0-G3
NV-1-64L-35-40K8	B2-U0-G2	B2-U0-G2	B2-U0-G3	B3-U0-G4	B5-U0-G3
NV-1-64L-35-50K7	B2-U0-G2	B2-U0-G2	B2-U0-G3	B3-U0-G4	B5-U0-G3
NV-1-64L-35-50K8	B2-U0-G2	B2-U0-G2	B2-U0-G3	B3-U0-G4	B5-U0-G3
NV-1-64L-53-27K7	B3-U0-G3	B3-U0-G3	B2-U0-G3	B3-U0-G4	B5-U0-G3
NV-1-64L-53-27K8	B3-U0-G3	B3-U0-G3	B2-U0-G3	B3-U0-G4	B5-U0-G3
NV-1-64L-53-30K7	B3-U0-G3	B3-U0-G3	B2-U0-G3	B3-U0-G4	B5-U0-G3
NV-1-64L-53-30K8	B3-U0-G3	B3-U0-G3	B2-U0-G3	B3-U0-G4	B5-U0-G3
NV-1-64L-53-35K8	B3-U0-G3	B3-U0-G3	B2-U0-G3	B3-U0-G4	B5-U0-G3
NV-1-64L-53-40K7	B3-U0-G3	B3-U0-G3	B2-U0-G3	B3-U0-G4	B5-U0-G3
NV-1-64L-53-40K8	B3-U0-G3	B3-U0-G3	B2-U0-G3	B3-U0-G4	B5-U0-G3
NV-1-64L-53-50K7	B3-U0-G3	B3-U0-G3	B2-U0-G3	B3-U0-G4	B5-U0-G3
NV-1-64L-53-50K8	B3-U0-G3	B3-U0-G3	B2-U0-G3	B3-U0-G4	B5-U0-G3
NV-1-64L-7-27K7	B3-U0-G3	B3-U0-G3	B2-U0-G3	B3-U0-G4	B5-U0-G3
NV-1-64L-7-27K8	B3-U0-G3	B3-U0-G3	B2-U0-G3	B3-U0-G4	B5-U0-G3
NV-1-64L-7-30K7	B3-U0-G3	B3-U0-G3	B3-U0-G4	B3-U0-G4	B5-U0-G3
NV-1-64L-7-30K8	B3-U0-G3	B3-U0-G3	B2-U0-G3	B3-U0-G4	B5-U0-G3
NV-1-64L-7-35K8	B3-U0-G3	B3-U0-G3	B2-U0-G3	B3-U0-G4	B5-U0-G3
NV-1-64L-7-40K7	B3-U0-G3	B3-U0-G3	B3-U0-G4	B3-U0-G4	B5-U0-G3
NV-1-64L-7-40K8	B3-U0-G3	B3-U0-G3	B3-U0-G3	B3-U0-G4	B5-U0-G3
NV-1-64L-7-50K7	B3-U0-G3	B3-U0-G3	B3-U0-G4	B3-U0-G4	B5-U0-G3
NV-1-64L-7-50K8	B3-U0-G3	B3-U0-G3	B3-U0-G3	B3-U0-G4	B5-U0-G3
NV-1-64L-1-27K7	B3-U0-G3	B3-U0-G3	B3-U0-G4	B3-U0-G4	B5-U0-G3
NV-1-64L-1-27K8	B3-U0-G3	B3-U0-G3	B3-U0-G4	B3-U0-G4	B5-U0-G3
NV-1-64L-1-30K7	B3-U0-G3	B3-U0-G3	B3-U0-G5	B3-U0-G4	B5-U0-G3
NV-1-64L-1-30K8	B3-U0-G3	B3-U0-G3	B3-U0-G4	B3-U0-G4	B5-U0-G3
NV-1-64L-1-35K8	B3-U0-G3	B3-U0-G3	B3-U0-G4	B3-U0-G4	B5-U0-G3
NV-1-64L-1-40K7	B3-U0-G3	B3-U0-G3	B3-U0-G5	B3-U0-G4	B5-U0-G3
NV-1-64L-1-40K8	B3-U0-G3	B3-U0-G3	B3-U0-G4	B3-U0-G4	B5-U0-G3
NV-1-64L-1-50K7	B3-U0-G3	B3-U0-G3	B3-U0-G5	B3-U0-G4	B5-U0-G3
NV-1-64L-1-50K8	B3-U0-G3	B3-U0-G3	B3-U0-G4	B3-U0-G4	B5-U0-G3

# PRODUCT SPECIFICATIONS

## HSS BUG RATINGS

BUG RATING CHART PERFORMANCE T4FTW SILICONE OPTICS W/HSS	
PART NUMBER	T4FTW-HSS
NV-1-16L-40-27K7-HSS	B0-U0-G1
NV-1-16L-40-27K8-HSS	B0-U0-G1
NV-1-16L-40-30K7-HSS	B0-U0-G1
NV-1-16L-40-30K8-HSS	B0-U0-G1
NV-1-16L-40-35K8-HSS	B0-U0-G1
NV-1-16L-40-40K7-HSS	B0-U0-G1
NV-1-16L-40-40K8-HSS	B0-U0-G1
NV-1-16L-40-50K7-HSS	B0-U0-G1
NV-1-16L-40-50K8-HSS	B0-U0-G1
NV-1-16L-53-27K7-HSS	B0-U0-G1
NV-1-16L-53-27K8-HSS	B0-U0-G1
NV-1-16L-53-30K7-HSS	B0-U0-G1
NV-1-16L-53-30K8-HSS	B0-U0-G1
NV-1-16L-53-35K8-HSS	B0-U0-G1
NV-1-16L-53-40K7-HSS	B0-U0-G1
NV-1-16L-53-40K8-HSS	B0-U0-G1
NV-1-16L-53-50K7-HSS	B0-U0-G1
NV-1-16L-53-50K8-HSS	B0-U0-G1
NV-1-16L-7-27K7-HSS	B0-U0-G1
NV-1-16L-7-27K8-HSS	B0-U0-G1
NV-1-16L-7-30K7-HSS	B0-U0-G1
NV-1-16L-7-30K8-HSS	B0-U0-G1
NV-1-16L-7-35K8-HSS	B0-U0-G1
NV-1-16L-7-40K7-HSS	B0-U0-G1
NV-1-16L-7-40K8-HSS	B0-U0-G1
NV-1-16L-7-50K7-HSS	B0-U0-G1
NV-1-16L-7-50K8-HSS	B0-U0-G1
NV-1-16L-1-27K7-HSS	B0-U0-G1
NV-1-16L-1-27K8-HSS	B0-U0-G1
NV-1-16L-1-30K7-HSS	B0-U0-G1
NV-1-16L-1-30K8-HSS	B0-U0-G1
NV-1-16L-1-35K8-HSS	B0-U0-G1
NV-1-16L-1-40K7-HSS	B0-U0-G1
NV-1-16L-1-40K8-HSS	B0-U0-G1
NV-1-16L-1-50K7-HSS	B0-U0-G1
NV-1-16L-1-50K8-HSS	B0-U0-G1

BUG RATING CHART PERFORMANCE T4FTW SILICONE OPTICS W/HSS	
PART NUMBER	T4FTW-HSS
NV-1-32L-7-27K7-HSS	B0-U0-G2
NV-1-32L-7-27K8-HSS	B0-U0-G2
NV-1-32L-7-30K7-HSS	B0-U0-G2
NV-1-32L-7-30K8-HSS	B0-U0-G2
NV-1-32L-7-35K8-HSS	B0-U0-G2
NV-1-32L-7-40K7-HSS	B0-U0-G2
NV-1-32L-7-40K8-HSS	B0-U0-G2
NV-1-32L-7-50K7-HSS	B0-U0-G2
NV-1-32L-7-50K8-HSS	B0-U0-G2
NV-1-32L-1-27K7-HSS	B1-U0-G2
NV-1-32L-1-27K8-HSS	B1-U0-G2
NV-1-32L-1-30K7-HSS	B1-U0-G2
NV-1-32L-1-30K8-HSS	B1-U0-G2
NV-1-32L-1-35K8-HSS	B1-U0-G2
NV-1-32L-1-40K7-HSS	B1-U0-G2
NV-1-32L-1-40K8-HSS	B1-U0-G2
NV-1-32L-1-50K7-HSS	B1-U0-G2
NV-1-32L-1-50K8-HSS	B1-U0-G2
NV-1-48L-7-27K7-HSS	B1-U0-G2
NV-1-48L-7-27K8-HSS	B1-U0-G2
NV-1-48L-7-30K7-HSS	B1-U0-G2
NV-1-48L-7-30K8-HSS	B1-U0-G2
NV-1-48L-7-35K8-HSS	B1-U0-G2
NV-1-48L-7-40K7-HSS	B1-U0-G2
NV-1-48L-7-40K8-HSS	B1-U0-G2
NV-1-48L-7-50K7-HSS	B1-U0-G2
NV-1-48L-7-50K8-HSS	B1-U0-G2
NV-1-48L-1-27K7-HSS	B1-U0-G2
NV-1-48L-1-27K8-HSS	B1-U0-G2
NV-1-48L-1-30K7-HSS	B1-U0-G2
NV-1-48L-1-30K8-HSS	B1-U0-G2
NV-1-48L-1-35K8-HSS	B1-U0-G2
NV-1-48L-1-40K7-HSS	B1-U0-G2
NV-1-48L-1-40K8-HSS	B1-U0-G2
NV-1-48L-1-50K7-HSS	B1-U0-G2
NV-1-48L-1-50K8-HSS	B1-U0-G2

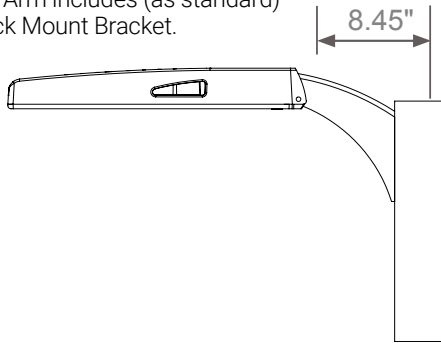
BUG RATING CHART PERFORMANCE T4FTW SILICONE OPTICS W/HSS	
PART NUMBER	T4FTW-HSS
NV-1-64L-35-27K7-HSS	B1-U0-G2
NV-1-64L-35-27K8-HSS	B1-U0-G2
NV-1-64L-35-30K7-HSS	B1-U0-G2
NV-1-64L-35-30K8-HSS	B1-U0-G2
NV-1-64L-35-35K8-HSS	B1-U0-G2
NV-1-64L-35-40K7-HSS	B1-U0-G2
NV-1-64L-35-40K8-HSS	B1-U0-G2
NV-1-64L-35-50K7-HSS	B1-U0-G2
NV-1-64L-35-50K8-HSS	B1-U0-G2
NV-1-64L-53-27K7-HSS	B1-U0-G2
NV-1-64L-53-27K8-HSS	B1-U0-G2
NV-1-64L-53-30K7-HSS	B1-U0-G2
NV-1-64L-53-30K8-HSS	B1-U0-G2
NV-1-64L-53-35K8-HSS	B1-U0-G2
NV-1-64L-53-40K7-HSS	B1-U0-G2
NV-1-64L-53-40K8-HSS	B1-U0-G2
NV-1-64L-53-50K7-HSS	B1-U0-G2
NV-1-64L-53-50K8-HSS	B1-U0-G2
NV-1-64L-7-27K7-HSS	B1-U0-G2
NV-1-64L-7-27K8-HSS	B1-U0-G2
NV-1-64L-7-30K7-HSS	B1-U0-G2
NV-1-64L-7-30K8-HSS	B1-U0-G2
NV-1-64L-7-35K8-HSS	B1-U0-G3
NV-1-64L-7-40K7-HSS	B1-U0-G3
NV-1-64L-7-40K8-HSS	B1-U0-G3
NV-1-64L-7-50K7-HSS	B1-U0-G3
NV-1-64L-7-50K8-HSS	B1-U0-G3
NV-1-64L-1-27K7-HSS	B1-U0-G3
NV-1-64L-1-27K8-HSS	B1-U0-G3
NV-1-64L-1-30K7-HSS	B1-U0-G3
NV-1-64L-1-30K8-HSS	B1-U0-G3
NV-1-64L-1-35K8-HSS	B1-U0-G3
NV-1-64L-1-40K7-HSS	B1-U0-G4
NV-1-64L-1-40K8-HSS	B1-U0-G4
NV-1-64L-1-50K7-HSS	B1-U0-G4
NV-1-64L-1-50K8-HSS	B1-U0-G4

# PRODUCT SPECIFICATIONS

## MOUNTING OPTIONS

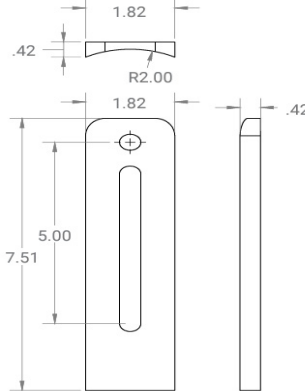
### ARCHITECTURAL SWEEP ARM (ASA)

Cast Sweep Arm includes (as standard) Internal Quick Mount Bracket.

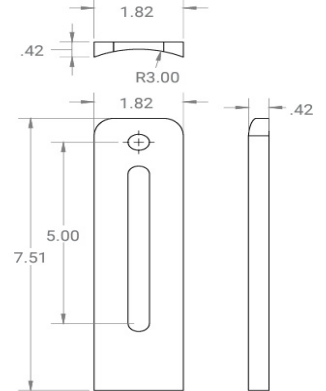


### ASA ROUND POLE ADAPTORS

#### RPA-ASA-4



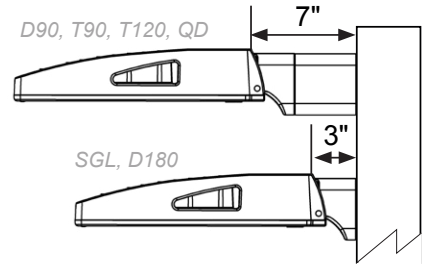
#### RPA-ASA-5



### DIRECT POLE (DP)

Standard mounting arm is extruded aluminum in lengths of 3" and 7".

\*Arm lengths may vary depending on configuration

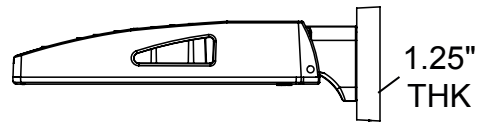


### DPX ARM LENGTH

DPX ARM LENGTH	SGL	D90	D180	D180	T90	T120	QD
NV-1	3"	7"	3"	7"	7"	7"	7"

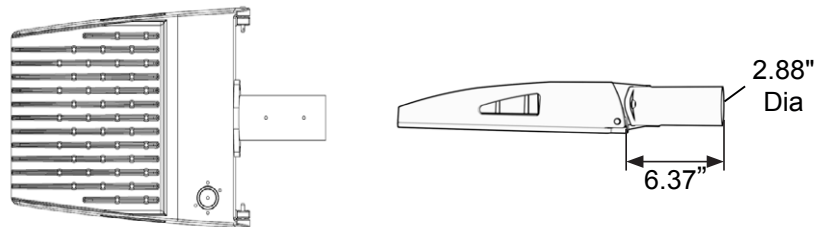
### WALL MOUNT (WM)

Cast Aluminum Plate for direct wall mount. 3" extruded aluminum arm mounts directly to a cast wall mount box.



### MAST ARM MOUNT (MA)

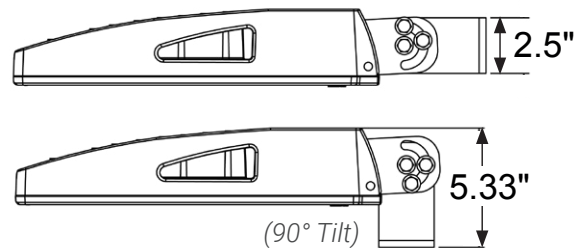
Mast Arm Fitter slips over 2-3/8" OD tenon.



### TRUNNION MOUNT (TM)

Steel, bolt-on-mounting for adjustable installation with a maximum uplift of 90 degrees.

\*Unpainted stainless steel is standard

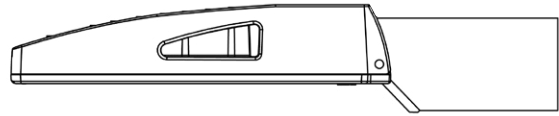


## PRODUCT SPECIFICATIONS

### MOUNTING OPTIONS (CONTINUED)

#### TENNIS ARM (TA)

Steel fitter slips over 3.5" x 1.5" rectangular arm. \*See Tennis Arm Spec Sheet for details

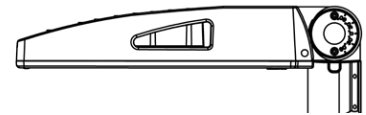
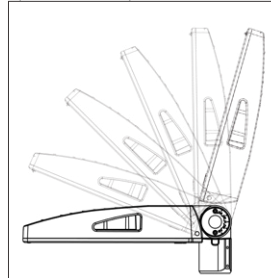


#### KNUCKLE MOUNT (KM)

Die Cast Knuckle great for adjustable installation on 2-3/8" OD vertical or horizontal tenon.

- Max Up-tilt of 90 degrees
- Adjustable in 6 degree increments
- 1.5G Vibration Rated per ANSI C136.31-2010

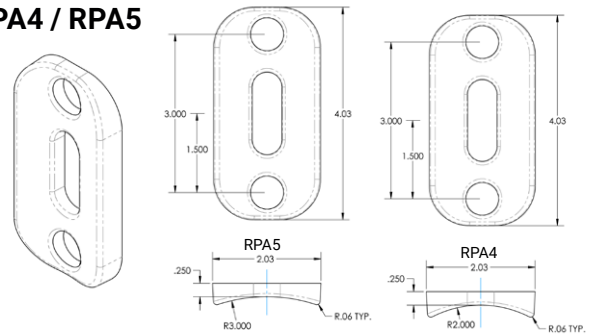
(0-114° Tilt)



#### ROUND POLE ADAPTER OPTIONS (RPA4) (RPA5)

When using round poles, specify Round Pole Adapter (RPA). Specify RPA4 when installing on 3"-4" round poles, and RPA5 when installing on 5"-6" round poles.

#### RPA4 / RPA5



#### QUICK MOUNT BRACKET (QMB)

Optional Cast Aluminum Bracket designed for quick mounting on Direct Square or Round Poles. Cleat mounts directly to pole for easily hung fixtures. Has a 2"x4" Drill Pattern.



#### RETROFIT MOUNT BRACKET (RQMB)

Optional Cast Aluminum Bracket designed for quick mounting on Direct Square or Round Poles. Cleat mounts directly to pole for easily hung fixtures. Drill Pattern is adjustable from 2"x4" to 2"x6".



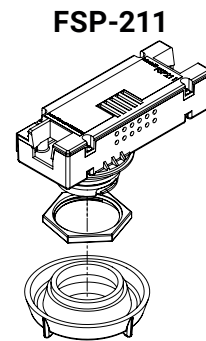
# PRODUCT SPECIFICATIONS

## CONTROL OPTIONS

- DIMMING CONTROL (FSP)—Passive infrared (PIR) sensor providing multi-level control based on motion/daylight contribution
- All control parameters adjustable via wireless configuration remote storing and transmitting sensor profiles.
- FSP-8 mounting heights 8 feet and below
- FSP-20 mounting heights 9-20 feet.
- FSP-40 mounting heights 21-40 feet.
- Includes 5 dimming event cycles, 0-10V dimming with motion sensing, re-programmable in the field.

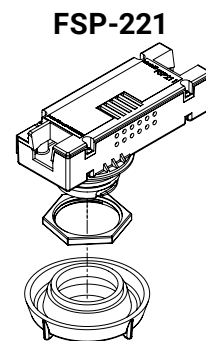
## FSP-211 WITH MOTION SENSOR (FSP-XX)

- FSP-211(FSP-X)—Passive infrared (PIR) sensor providing multi-level control based on motion/daylight contribution.
- 120/277VAC, 230-240VAC
- All control parameters adjustable via wireless configuration remote storing and transmitting sensor profiles.
- FSP-8 mounting heights 8 feet and below
- FSP-20 mounting heights 9-20 feet.
- FSP-40 mounting heights 21-40 feet.
- Includes 5 dimming event cycles, 0-10V dimming with motion sensing, re-programmable in the field.

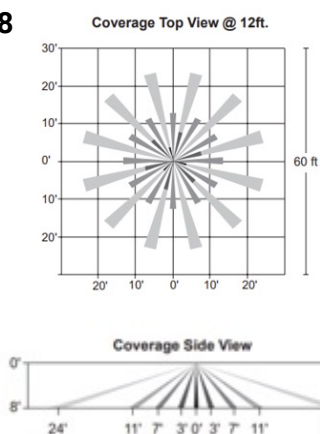


## FSP-221 WITH MOTION SENSOR (FSP-HV-XX)

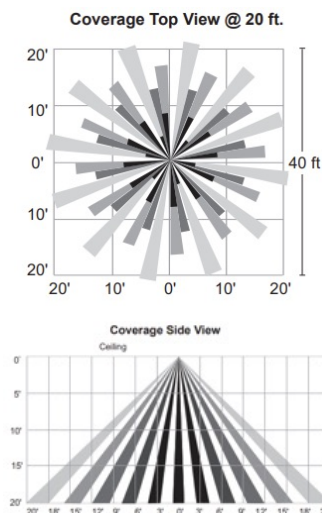
- FSP-221 (FSP-HV-X)—Passive infrared (PIR) sensor providing multi-level control based on motion/daylight contribution.
- 100-347VAC 208/230/480VAC
- All control parameters adjustable via wireless configuration remote storing and transmitting sensor profiles.
- FSP-8 mounting heights 8 feet and below
- FSP-20 mounting heights 9-20 feet.
- FSP-40 mounting heights 21-40 feet.
- Includes 5 dimming event cycles, 0-10V dimming with motion sensing, re-programmable in the field.



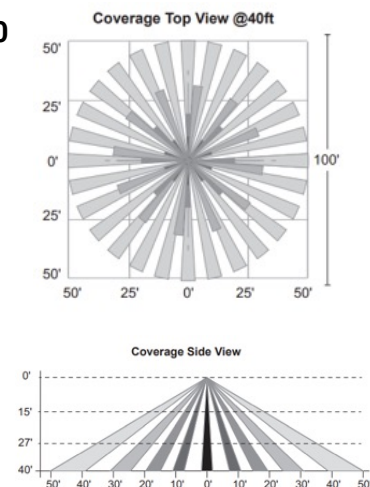
### FSP-8



### FSP-20



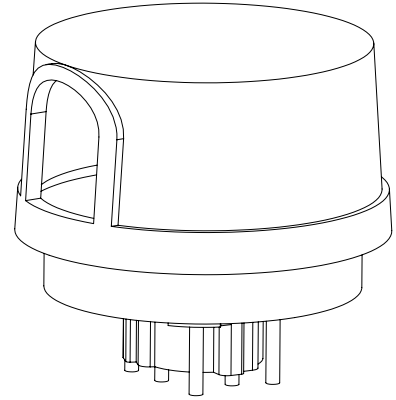
### FSP-40



## PRODUCT SPECIFICATIONS

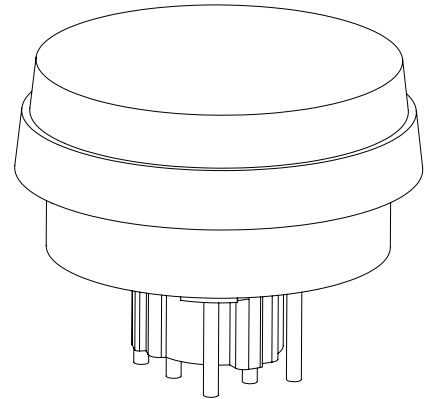
### PHOTOCELL + RECEPTACLE (PCR)

7-Pin Receptacle and Electronic Twist Lock Photocell for dusk to dawn operation.



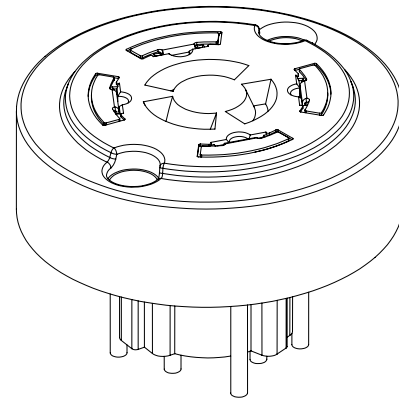
### RECEPTACLE + SHORTING CAP (PER)

7-Pin Receptacle and Shorting Cap.



### NEMA 7-PIN RECEPTACLE (PE7)

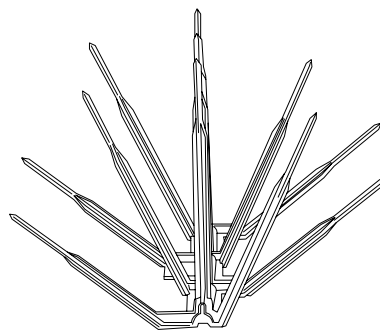
An ANSI C136.41-2013 receptacle provides electrical and mechanical interconnection between photo control cell and luminaire. Dimming receptacle available two or four dimming contacts supports 0-10 VDC dimming methods or Digital Addressable Lighting Interface (DALI), providing reliable power interconnect.



## PRODUCT SPECIFICATIONS

### BIRD SPIKES (BS)

Bird Spikes offers effective and humane deterrent for larger bird species and provides cost-effective long-term solution to nuisance bird infestations and protect your property.



### MARINE GRADE FINISH (MGF)

The **(MGF)** is a multi step process. Chemically washed in a 5 stage cleaning system. Pre-baked. Powder coated 3-5 mils of Zinc Rich Super Durable Polyester Primer. Oven Baked. Finished Powder Coating of Super Durable Polyester Powder Coat 3-5 mil thickness.



#### Powder Coat Finish

3-5 mil Powder Coat

#### Primer Layer

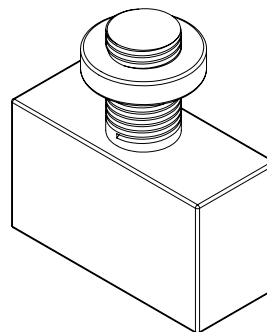
3-5 mil Zinc Rich Super Durable Polyester Primer

#### Prepared Casting

Chemically washed in multi Step 5 stage cleaning process

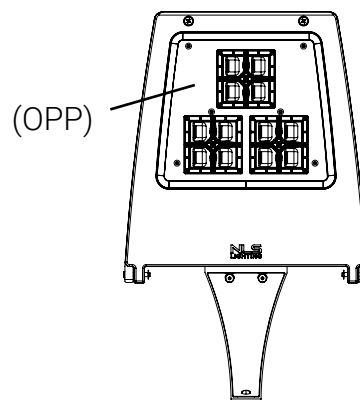
### BUTTON PHOTOCELL

Photo Cell for dusk to dawn operation.



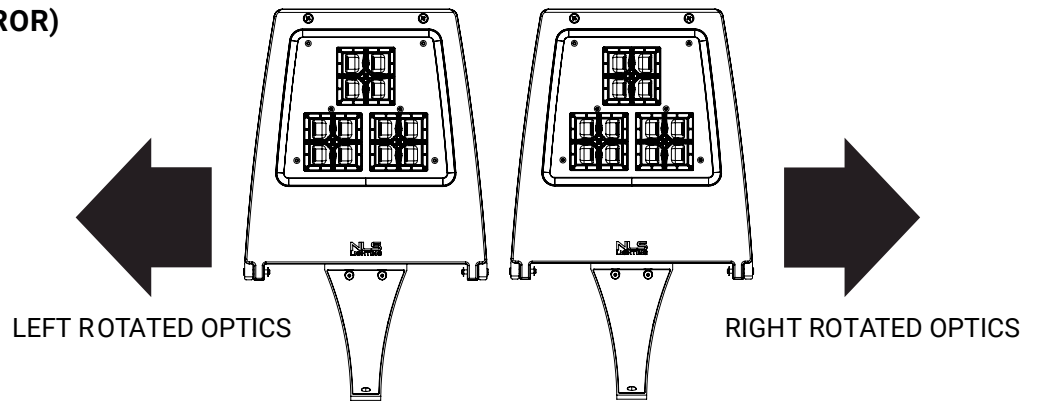
### OPTIC PLATE PAINTED TO MATCH (OPP)

Optic plate is clear anodized as standard. The optic plate can be powder coated to match the finish of the fixture.



## PRODUCT SPECIFICATIONS

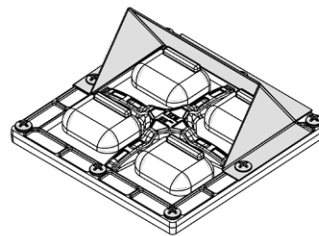
### ROTATED OPTICS (ROL) (ROR)



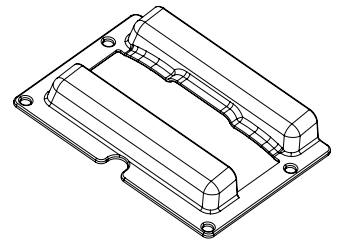
### SHIELDING OPTIONS (AHS) (HSS)

SHIELDS (HSS, AHS)—House Side Shield (HSS) is designed for full property line cut-off. Automotive House Side Shield (AHS) is a single-sided shield allowing partial cut-off on either side or front of luminaire.

#### AUTOMOTIVE HOUSE SIDE SHIELD



#### HOUSE SIDE SHIELD



### BLACK OPTIC FRAME

Optional Black Optic Frame (includes black hardware) Standard Optic Frame is white.

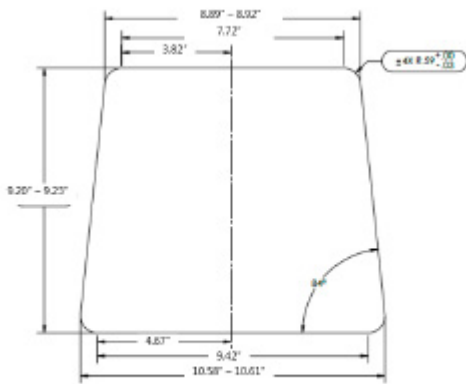


# PRODUCT SPECIFICATIONS

## LENS OPTIONS

### GL LENS (GL)

Low Iron Glass, fully tempered



### HAL LENS (HAL)

High Performance Yellow Polycarbonate Lens  
(less than 2% Blue Light Content)

