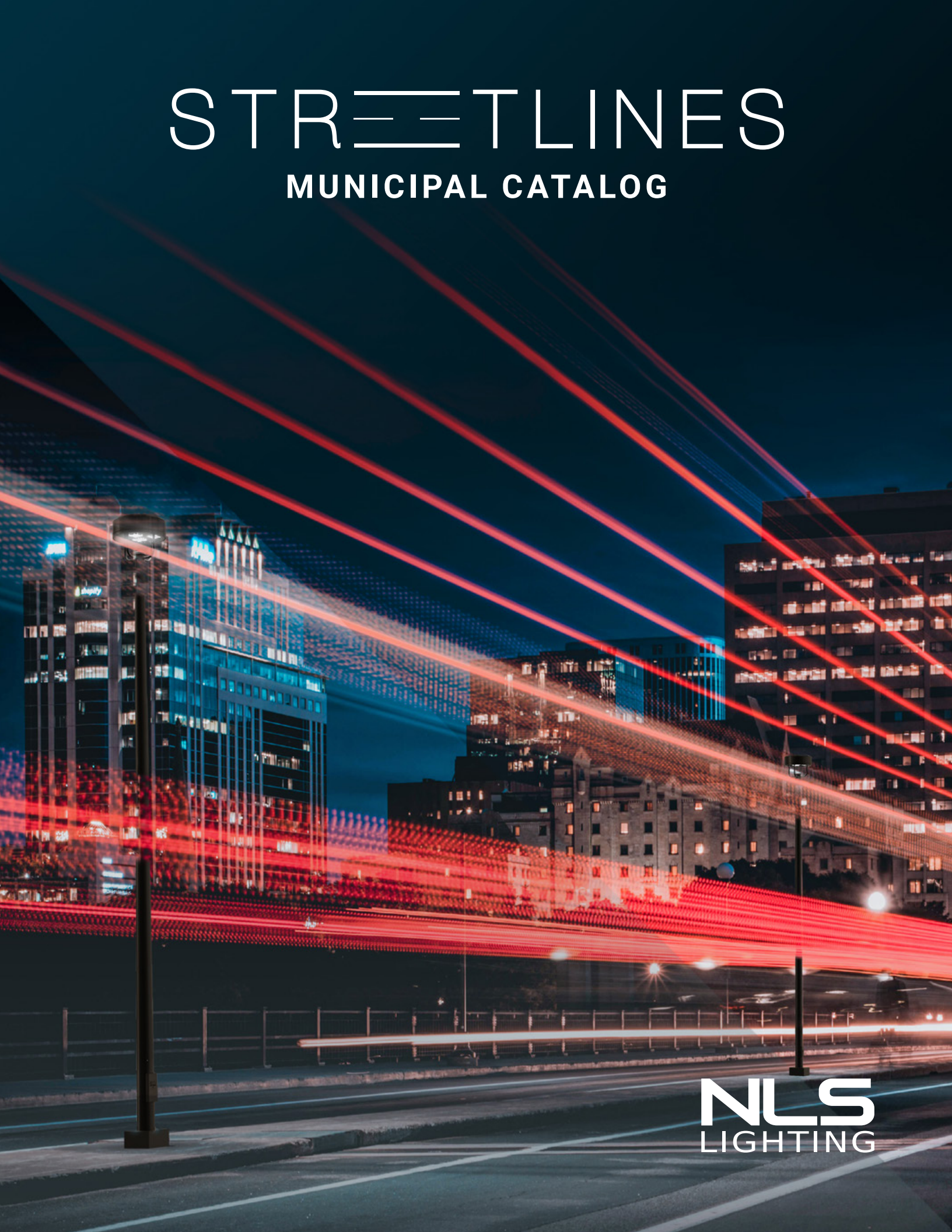



# STREETLINES

MUNICIPAL CATALOG



**NLS**  
LIGHTING

A man in a brown coat is walking across a crosswalk at night. The scene is illuminated by streetlights, with a large building in the background and a city skyline visible in the distance. The man is carrying a bag and is walking towards the right side of the frame. The streetlights are modern and sleek, with a warm glow. The background features a large, multi-story building with many lit windows, and a city skyline with various buildings and lights in the distance. The overall atmosphere is a quiet urban night scene.

NLS Lighting is changing the outdoor lighting landscape by focusing on innovation, performance, build quality, and customer service. Our products are designed, engineered, manufactured, and assembled in the USA, conforming to the strictest standards. Whether it's silicone optics or our patented Star Power reflector system, we can achieve high lumen output with low glare. Engineering and Customer Service are footsteps from our production lines to ensure every order is built to the customers specifications. Faith and pride in our American workforce have led to higher quality products, faster lead-times, and ability to provide more jobs for our local communities.

# STREET AND ROADWAY



## NV-1

NV-1 maximizes performance in a slim low profile design, making it perfect for General Area Lighting, Parking Lots, Automotive Dealerships, Roadways, and Modern Architecture. Silicone Micro Optics provide 96% Clarity and Heat Resistance up to 150°C

### QUICK STATS

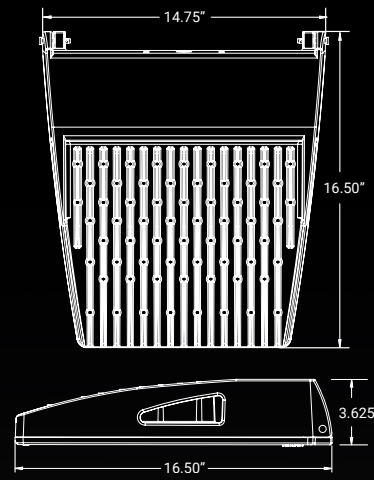
**Lumens:** 1,944 – 26,650

**Kelvin:** 27K7, 27K8, 30K7, 30K8, 35K8, 40K7, 40K8, 50K7, 50K8

**Wattage:** 18 – 205

**Weight:** 24 lbs

**Category:** Area, Site & Roadway



### PRODUCT FEATURES

- Die-cast housing for durability
- IES Distributions T2, T3, T4, T5, N2, N3
- 2700K, 3000K, 3500K, 4000K, 5000K CCT Multichip High Power 70 & 80 CRI LEDs
- IP66 Rated Against Dust & Water Ingress
- IK10 Rated for Impact Protection, Tamper Proof and Vandal Resistant Options Available
- Mountings available have a 1.5G to 3G Vibration Rating: Architectural Sweep Arm, Direct Pole 6" and 11" Arm, KnuckleMount, Wall Mount, Trunnion Mount, and Tennis Arm
- 20kA Surge Protection (120V - 480V), 0–10V Programmable, Dimming LED Drivers
- LED Drivers Ambient Temp. Min (°C) is -40°C and Ambient Temp. Max (°C) ranges from 50°C to 55°C
- 9 Standard Finishes, Custom and Marine Grade Finish Available
- Controls Agnostic, Compatible with Most Control Systems and Sensors
- Environmentally Friendly Product Which Reduces Energy Consumption, L70 > 100,000 hours
- Buy America(n) Option Available, Easy to Install Mounting
- Cost Competitive and Short Shipping Lead Times in Days & Weeks

## NV-2

NV-2 maximizes performance in a slim low profile design, making it perfect for General Area Lighting, Parking Lots, Automotive Dealerships, Roadways, and Modern Architecture. Silicone Micro Optics provide 96% Clarity and Heat Resistance up to 150°C

### PRODUCT FEATURES

- Die-cast housing for durability
- IES Distributions T2, T3, T4, T5, N2, N3
- 2700K, 3000K, 3500K, 4000K, 5000K CCT Multichip High Power 70 & 80 CRI LEDs
- IP66 Rated Against Dust & Water Ingress
- IK10 Rated for Impact Protection, Tamper Proof and Vandal Resistant Options Available
- Mountings available have a 1.5G to 3G Vibration Rating: Architectural Sweep Arm, Direct Pole 6" and 11" Arm, KnuckleMount, Wall Mount, Trunnion Mount, and Tennis Arm
- 20kA Surge Protection (120V - 480V), 0–10V Programmable, Dimming LED Drivers
- LED Drivers Ambient Temp. Min (°C) is -40°C and Ambient Temp. Max (°C) ranges from 50°C to 55°C
- 9 Standard Finishes, Custom and Marine Grade Finish Available
- Controls Agnostic, Compatible with Most Control Systems and Sensors
- Environmentally Friendly Product Which Reduces Energy Consumption, L70 > 100,000 hours
- Buy America(n) Option Available, Easy to Install Mounting
- Cost Competitive and Short Shipping Lead Times in Days & Weeks



### QUICK STATS

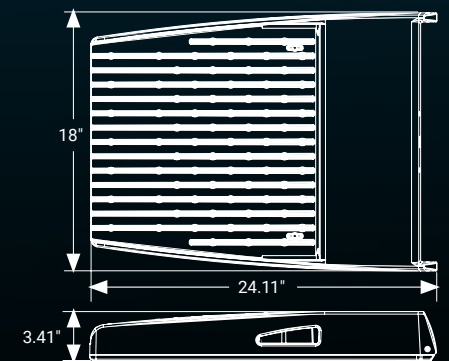
**Lumens:** 18,816 – 52,352

**Kelvin:** 27K7, 27K8, 30K7, 30K8, 35K8, 40K7, 40K8, 50K7, 50K8

**Wattage:** 168 – 409

**Weight:** 42 lbs

**Category:** Area, Site & Roadway





## NV-3

NV-1 maximizes performance in a slim low profile design, making it perfect for General Area Lighting, Parking Lots, Automotive Dealerships, Roadways, and Modern Architecture. Silicone Micro Optics provide 96% Clarity and Heat Resistance up to 150°C

### PRODUCT FEATURES

- Die-cast housing for durability
- IES Distributions T2, T3, T4, T5
- 2700K, 3000K, 3500K, 4000K, 5000K CCT Multichip High Power 70 & 80 CRI LEDs
- IP66 Rated Against Dust & Water Ingress
- IK10 Rated for Impact Protection, Tamper Proof and Vandal Resistant Options Available
- Mountings available have a 1.5G to 3G Vibration Rating: Architectural Sweep Arm, Direct Pole 6" and 11" Arm, KnuckleMount, Wall Mount, Trunnion Mount, and Tennis Arm
- 20kA Surge Protection (120V - 480V), 0-10V Programmable, Dimming LED Drivers
- LED Drivers Ambient Temp. Min (°C) is -40°C and Ambient Temp. Max (°C) ranges from 50°C to 55°C
- 9 Standard Finishes, Custom and Marine Grade Finish Available
- Controls Agnostic, Compatible with Most Control Systems and Sensors
- Environmentally Friendly Product Which Reduces Energy Consumption, L70 > 100,000 hours
- Buy America(n) Option Available, Easy to Install Mounting
- Cost Competitive and Short Shipping Lead Times in Days & Weeks

### QUICK STATS

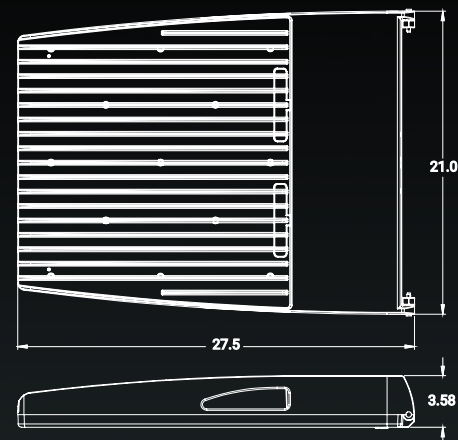
**Lumens:** 40,459 – 103,699

**Kelvin:** 27K7, 27K8, 30K7, 30K8, 35K8, 40K7, 40K8, 50K7, 50K8

**Wattage:** 403 – 805

**Weight:** 55 lbs

**Category:** Area, Site & Roadway





## VSR-S

VSR-S has a clean contemporary design for any Parking Lot, Commercial Application, or small Roadway. Silicone Micro Optics provide 96% Clarity and Heat Resistance up to 150°C.

### QUICK STATS

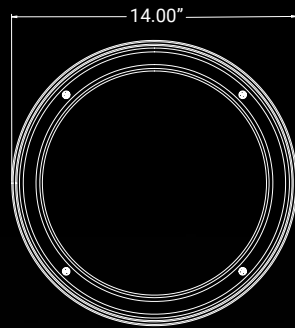
**Lumens:** 2,016 – 12,720

**Kelvin:** 27K7, 27K8, 30K7, 30K8, 35K8, 40K7, 40K8, 50K7, 50K8

**Wattage:** 18 – 106

**Weight:** 9 lbs

**Category:** Area, Site & Roadway



### PRODUCT FEATURES

- IES Distributions T2, T3, T4, T5
- 2700K, 3000K, 3500K, 4000K, 5000K CCT Multichip High Power 70 & 80 CRI LEDs
- IP65 Rated Against Dust & Water Ingress
- Mountings available: Direct Pole 6" and 11" Arm, Wall Mount
- 20kA Surge Protection (120V - 480V), 0–10V Programmable, Dimming LED Drivers
- LED Drivers Ambient Temp. Min (°C) is -40°C and Ambient Temp. Max (°C) ranges from 50°C to 55°C
- 8 Standard Finishes, Custom and Marine Grade Finish Available
- Controls Agnostic, Compatible with Most Control Systems and Sensors
- Environmentally Friendly Product Which Reduces Energy Consumption, L70 > 100,000 hours
- Buy America(n) Option Available, Easy to Install Mounting
- Cost Competitive and Short Shipping Lead Times in Days & Weeks



## VSR-S-YM

VSR-S has a clean contemporary yoke mounted design for any Parking Lot, Commercial Application, or small Roadway. Silicone Micro Optics provide 96% Clarity and Heat Resistance up to 150°C.

### PRODUCT FEATURES

- IES Distributions T2, T3, T4, T5
- 2700K, 3000K, 3500K, 4000K, 5000K CCT Multichip High Power 70 & 80 CRI LEDs
- IP65 Rated Against Dust & Water Ingress
- Mountings available: Direct Pole 6" and 11" Arm, Wall Mount
- 20kA Surge Protection (120V - 480V), 0–10V Programmable, Dimming LED Drivers
- LED Drivers Ambient Temp. Min (°C) is -40°C and Ambient Temp. Max (°C) ranges from 50°C to 55°C
- 8 Standard Finishes, Custom and Marine Grade Finish Available
- Controls Agnostic, Compatible with Most Control Systems and Sensors
- Environmentally Friendly Product Which Reduces Energy Consumption, L70 > 100,000 hours
- Buy America(n) Option Available, Easy to Install Mounting
- Cost Competitive and Short Shipping Lead Times in Days & Weeks



### QUICK STATS

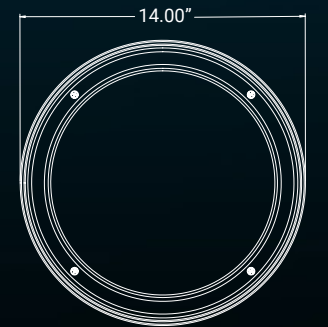
**Lumens:** 2,016 – 12,720

**Kelvin:** 27K7, 27K8, 30K7, 30K8, 35K8, 40K7, 40K8, 50K7, 50K8

**Wattage:** 18 – 106

**Weight:** 9 lbs

**Category:** Area, Site & Roadway





## VSR-1

VSR-1 offers greater lumen output with an esthetic design that blends with just about any Parking Lot, Commercial Application, or small Roadway. Silicone Micro Optics provide 96% Clarity and Heat Resistance up to 150°C.

### QUICK STATS

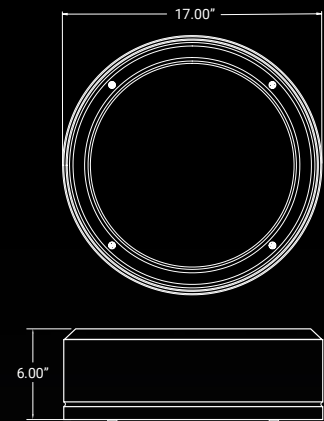
**Lumens:** 7,427 – 24,600

**Kelvin:** 27K7, 27K8, 30K7, 30K8, 35K8, 40K7, 40K8, 50K7, 50K8

**Wattage:** 71 – 205

**Weight:** 20 lbs

**Category:** Area, Site & Roadway



### PRODUCT FEATURES

- IES Distributions T2, T3, T4, T5
- 2700K, 3000K, 3500K, 4000K, 5000K CCT Multichip High Power 70 & 80 CRI LEDs
- IP65 Rated Against Dust & Water Ingress
- Mountings available: Direct Pole 6" and 11" Arm, Wall Mount
- 20kA Surge Protection (120V - 480V), 0–10V Programmable, Dimming LED Drivers
- LED Drivers Ambient Temp. Min (°C) is -40°C and Ambient Temp. Max (°C) ranges from 50°C to 55°C
- 8 Standard Finishes, Custom and Marine Grade Finish Available
- Controls Agnostic, Compatible with Most Control Systems and Sensors
- Environmentally Friendly Product Which Reduces Energy Consumption, L70 > 100,000 hours
- Buy America(n) Option Available, Easy to Install Mounting
- Cost Competitive and Short Shipping Lead Times in Days & Weeks

## VSR-1-SPMX

VSR-1-SPMX offers a 4-bar spider arm mount with greater lumen output and an esthetic design that blends with just about any Parking Lot, Commercial Application, or small Roadway. Silicone Micro Optics provide 96% Clarity and Heat Resistance up to 150°C.

### PRODUCT FEATURES

- IES Distributions T2, T3, T4, T5
- 2700K, 3000K, 3500K, 4000K, 5000K CCT Multichip High Power 70 & 80 CRI LEDs
- IP65 Rated Against Dust & Water Ingress
- Mountings available: Direct Pole 6" and 11" Arm, Wall Mount
- 20kA Surge Protection (120V - 480V), 0–10V Programmable, Dimming LED Drivers
- LED Drivers Ambient Temp. Min (°C) is -40°C and Ambient Temp. Max (°C) ranges from 50°C to 55°C
- 8 Standard Finishes, Custom and Marine Grade Finish Available
- Controls Agnostic, Compatible with Most Control Systems and Sensors
- Environmentally Friendly Product Which Reduces Energy Consumption, L70 > 100,000 hours
- Buy America(n) Option Available, Easy to Install Mounting
- Cost Competitive and Short Shipping Lead Times in Days & Weeks

### QUICK STATS

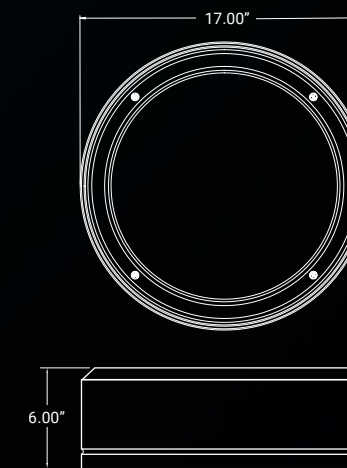
**Lumens:** 7,427 – 24,600

**Kelvin:** 27K7, 27K8, 30K7, 30K8, 35K8, 40K7, 40K8, 50K7, 50K8

**Wattage:** 71 – 205

**Weight:** 20 lbs

**Category:** Area, Site & Roadway





## VSR-2

VSR-1 offers greater lumen output with an esthetic design that blends with just about any Parking Lot, Commercial Application, or small Roadway. Silicone Micro Optics provide 96% Clarity and Heat Resistance up to 150°C.

### QUICK STATS

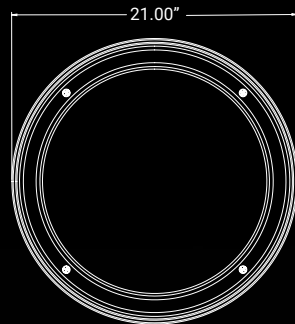
**Lumens:** 27,510 – 37,604

**Kelvin:** 27K7, 27K8, 30K7, 30K8, 35K8, 40K7, 40K8, 50K7, 50K8

**Wattage:** 263 – 316

**Weight:** 26 lbs

**Category:** Area, Site & Roadway



### PRODUCT FEATURES

- IES Distributions T2, T3, T4, T5
- 2700K, 3000K, 3500K, 4000K, 5000K CCT Multichip High Power 70 & 80 CRI LEDs
- IP65 Rated Against Dust & Water Ingress
- Mountings available: Direct Pole 6" and 11" Arm, Wall Mount
- 20kA Surge Protection (120V - 480V), 0–10V Programmable, Dimming LED Drivers
- LED Drivers Ambient Temp. Min (°C) is -40°C and Ambient Temp. Max (°C) ranges from 50°C to 55°C
- 8 Standard Finishes, Custom and Marine Grade Finish Available
- Controls Agnostic, Compatible with Most Control Systems and Sensors
- Environmentally Friendly Product Which Reduces Energy Consumption, L70 > 100,000 hours
- Buy America(n) Option Available, Easy to Install Mounting
- Cost Competitive and Short Shipping Lead Times in Days & Weeks

## VSR-2-SPMX

VSR-2-SPMX offers a 4-bar spider arm mount with greater lumen output and an esthetic design that blends with just about any Parking Lot, Commercial Application, or small Roadway. Silicone Micro Optics provide 96% Clarity and Heat Resistance up to 150°C.

### PRODUCT FEATURES

- IES Distributions T2, T3, T4, T5
- 2700K, 3000K, 3500K, 4000K, 5000K CCT Multichip High Power 70 & 80 CRI LEDs
- IP65 Rated Against Dust & Water Ingress
- Mountings available: Direct Pole 6" and 11" Arm, Wall Mount
- 20kA Surge Protection (120V - 480V), 0–10V Programmable, Dimming LED Drivers
- LED Drivers Ambient Temp. Min (°C) is -40°C and Ambient Temp. Max (°C) ranges from 50°C to 55°C
- 8 Standard Finishes, Custom and Marine Grade Finish Available
- Controls Agnostic, Compatible with Most Control Systems and Sensors
- Environmentally Friendly Product Which Reduces Energy Consumption, L70 > 100,000 hours
- Buy America(n) Option Available, Easy to Install Mounting
- Cost Competitive and Short Shipping Lead Times in Days & Weeks



### QUICK STATS

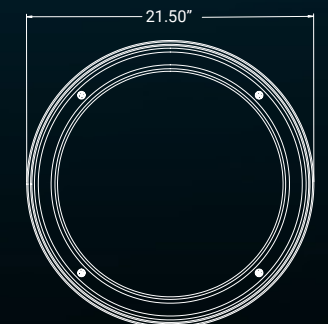
**Lumens:** 27,510 – 37,604

**Kelvin:** 27K7, 27K8, 30K7, 30K8, 35K8, 40K7, 40K8, 50K7, 50K8

**Wattage:** 263 – 316

**Weight:** 26 lbs

**Category:** Area, Site & Roadway





## VSS-S

VSS-S offers a small square design that blends with the architectural esthetic for just about any Parking Lot, Commercial Applications, or small Roadway. Silicone Micro Optics provide 96% Clarity and Heat Resistance up to 150°C.

### QUICK STATS

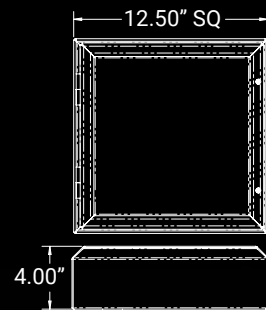
**Lumens:** 1980 – 12,508

**Kelvin:** 27K7, 27K8, 30K7, 30K8, 35K8, 40K7, 40K8, 50K7, 50K8

**Wattage:** 18 – 106

**Weight:** 11 lbs

**Category:** Area, Site & Roadway



### PRODUCT FEATURES

- IES Distributions T2, T3, T4, T5
- 2700K, 3000K, 3500K, 4000K, 5000K CCT Multichip High Power 70 & 80 CRI LEDs
- IP65 Rated Against Dust & Water Ingress
- Mountings available: Direct Pole 6" and 11" Arm, Knuckle Mount, Tennis Arm, Wall Mount
- 20kA Surge Protection (120V - 480V), 0–10V Programmable, Dimming LED Drivers
- LED Drivers Ambient Temp. Min (°C) is -40°C and Ambient Temp. Max (°C) ranges from 50°C to 55°C
- 8 Standard Finishes, Custom and Marine Grade Finish Available
- Controls Agnostic, Compatible with Most Control Systems and Sensors
- Environmentally Friendly Product Which Reduces Energy Consumption, L70 > 100,000 hours
- Buy America(n) Option Available, Easy to Install Mounting
- Cost Competitive and Short Shipping Lead Times in Days & Weeks



## VSS-1

VSS-1 offers greater lumen output and a square design that blends with the architectural esthetic for just about any Parking Lot, Commercial Applications, or small Roadway. Silicone Micro Optics provide 96% Clarity and Heat Resistance up to 150°C.

### PRODUCT FEATURES

- IES Distributions T2, T3, T4, T5
- 2700K, 3000K, 3500K, 4000K, 5000K CCT Multichip High Power 70 & 80 CRI LEDs
- IP65 Rated Against Dust & Water Ingress
- Mountings available: Direct Pole 6" and 11" Arm, Wall Mount
- 20kA Surge Protection (120V - 480V), 0–10V Programmable, Dimming LED Drivers
- LED Drivers Ambient Temp. Min (°C) is -40°C and Ambient Temp. Max (°C) ranges from 50°C to 55°C
- 8 Standard Finishes, Custom and Marine Grade Finish Available
- Controls Agnostic, Compatible with Most Control Systems and Sensors
- Environmentally Friendly Product Which Reduces Energy Consumption, L70 > 100,000 hours
- Buy America(n) Option Available, Easy to Install Mounting
- Cost Competitive and Short Shipping Lead Times in Days & Weeks



### QUICK STATS

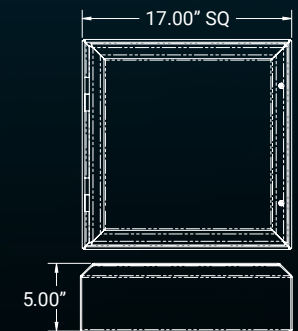
**Lumens:** 7,242 – 24,190

**Kelvin:** 27K7, 27K8, 30K7, 30K8, 35K8, 40K7, 40K8, 50K7, 50K8

**Wattage:** 71 – 205

**Weight:** 23 lbs

**Category:** Area, Site & Roadway







## VSS-1-SPMX

VSS-1-SPMX offers greater lumen output and a 4-bar spider arm mount design that blends with the architectural esthetic for just about any Parking Lot, Commercial Applications, or small Roadway. Silicone Micro Optics provide 96% Clarity and Heat Resistance up to 150°C.

### QUICK STATS

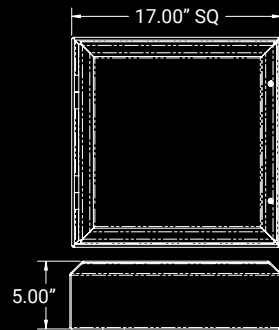
**Lumens:** 7,242 – 24,190

**Kelvin:** 27K7, 27K8, 30K7, 30K8, 35K8, 40K7, 40K8, 50K7, 50K8

**Wattage:** 71 – 205

**Weight:** 23 lbs

**Category:** Area, Site & Roadway



### PRODUCT FEATURES

- IES Distributions T2, T3, T4, T5
- 2700K, 3000K, 3500K, 4000K, 5000K CCT Multichip High Power 70 & 80 CRI LEDs
- IP65 Rated Against Dust & Water Ingress
- Mountings available: Direct Pole 6" and 11" Arm, Knuckle Mount, Tennis Arm, Wall Mount
- 20kA Surge Protection (120V - 480V), 0–10V Programmable, Dimming LED Drivers
- LED Drivers Ambient Temp. Min (°C) is -40°C and Ambient Temp. Max (°C) ranges from 50°C to 55°C
- 8 Standard Finishes, Custom and Marine Grade Finish Available
- Controls Agnostic, Compatible with Most Control Systems and Sensors
- Environmentally Friendly Product Which Reduces Energy Consumption, L70 > 100,000 hours
- Buy America(n) Option Available, Easy to Install Mounting
- Cost Competitive and Short Shipping Lead Times in Days & Weeks



## VSS-2

VSS-2 offers greater lumen output and a square design that blends with the architectural esthetic for just about any Parking Lot, Commercial Applications, or small Roadway. Silicone Micro Optics provide 96% Clarity and Heat Resistance up to 150°C.

### PRODUCT FEATURES

- IES Distributions T2, T3, T4, T5
- 2700K, 3000K, 3500K, 4000K, 5000K CCT Multichip High Power 70 & 80 CRI LEDs
- IP65 Rated Against Dust & Water Ingress
- Mountings available: Direct Pole 6" and 11" Arm, Wall Mount
- 20kA Surge Protection (120V - 480V), 0–10V Programmable, Dimming LED Drivers
- LED Drivers Ambient Temp. Min (°C) is -40°C and Ambient Temp. Max (°C) ranges from 50°C to 55°C
- 8 Standard Finishes, Custom and Marine Grade Finish Available
- Controls Agnostic, Compatible with Most Control Systems and Sensors
- Environmentally Friendly Product Which Reduces Energy Consumption, L70 > 100,000 hours
- Buy America(n) Option Available, Easy to Install Mounting
- Cost Competitive and Short Shipping Lead Times in Days & Weeks



### QUICK STATS

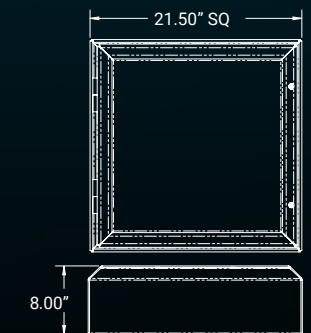
**Lumens:** 27,510 – 37,604

**Kelvin:** 27K7, 27K8, 30K7, 30K8, 35K8, 40K7, 40K8, 50K7, 50K8

**Wattage:** 263 – 316

**Weight:** 23 lbs

**Category:** Area, Site & Roadway





## VSS-2-SPMX

VSS-2-SPMX offers greater lumen output and a 4-bar spider arm mount design that blends with the architectural esthetic for just about any Parking Lot, Commercial Applications, or small Roadway. Silicone Micro Optics provide 96% Clarity and Heat Resistance up to 150°C.

### PRODUCT FEATURES

- IES Distributions T2, T3, T4, T5
- 2700K, 3000K, 3500K, 4000K, 5000K CCT Multichip High Power 70 & 80 CRI LEDs
- IP65 Rated Against Dust & Water Ingress
- Mountings available: Spider Mount over a 2 3/8" Tenon or Spider Mount over a 3" Tenon
- 20kA Surge Protection (120V - 480V), 0-10V Programmable, Dimming LED Drivers
- LED Drivers Ambient Temp. Min (°C) is -40°C and Ambient Temp. Max (°C) ranges from 50°C to 55°C
- 8 Standard Finishes, Custom and Marine Grade Finish Available
- Controls Agnostic, Compatible with Most Control Systems and Sensors
- Environmentally Friendly Product Which Reduces Energy Consumption, L70 > 100,000 hours
- Buy America(n) Option Available, Easy to Install Mounting
- Cost Competitive and Short Shipping Lead Times in Days & Weeks

### QUICK STATS

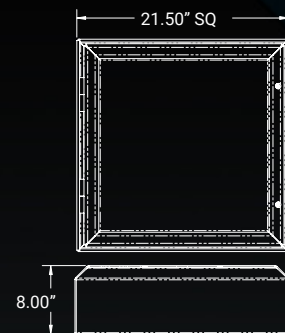
**Lumens:** 26,826 – 39,816

**Kelvin:** 27K7, 27K8, 30K7, 30K8, 35K8, 40K7, 40K8, 50K7, 50K8

**Wattage:** 263 – 316

**Weight:** 34 lbs

**Category:** Area, Site & Roadway



## TRAC-2

TRAC Collection is a sleek, high-performance minimalist elegant family featuring Silicone Micro Optics with excellent thermal management. Silicone Micro Optics provide 96% Clarity and Heat Resistance up to 150°C.

### PRODUCT FEATURES

- IES Distributions T2, T3, T4, T5
- 2700K, 3000K, 3500K, 4000K, 5000K CCT Multichip High Power 70 & 80 CRI LEDs
- IP65 Rated Against Dust & Water Ingress
- Mountings available: Direct Pole 6" and 11" Arm, Wall Mount
- 20kA Surge Protection (120V - 480V), 0-10V Programmable, Dimming LED Drivers
- LED Drivers Ambient Temp. Min (°C) is -40°C and Ambient Temp. Max (°C) ranges from 50°C to 55°C
- 8 Standard Finishes, Custom and Marine Grade Finish Available
- Controls Agnostic, Compatible with Most Control Systems and Sensors
- Environmentally Friendly Product Which Reduces Energy Consumption, L70 > 100,000 hours
- Buy America(n) Option Available, Easy to Install Mounting
- Cost Competitive and Short Shipping Lead Times in Days & Weeks



### QUICK STATS

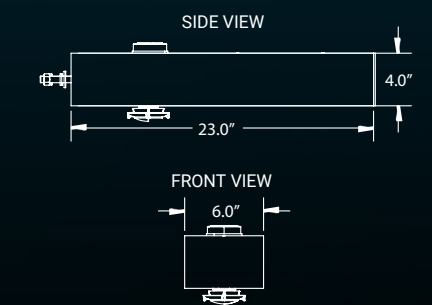
**Lumens:** 4,409 – 12,698

**Kelvin:** 27K8, 30K7, 30K8, 35K8, 40K7, 40K8, 50K7, 50K8

**Wattage:** 36 – 106

**Weight:** 16 lbs

**Category:** Area, Site & Roadway





## TRAC-3

TRAC Collection is a sleek, high-performance minimalist elegant family featuring Silicone Micro Optics with excellent thermal management. Silicone Micro Optics provide 96% Clarity and Heat Resistance up to 150°C.

### PRODUCT FEATURES

- IES Distributions T2, T3, T4, T5
- 2700K, 3000K, 3500K, 4000K, 5000K CCT Multichip High Power 70 & 80 CRI LEDs
- IP65 Rated Against Dust & Water Ingress
- Mountings available: Spider Mount over a 2 3/8" Tenon or Spider Mount over a 3" Tenon
- 20kA Surge Protection (120V - 480V), 0-10V Programmable, Dimming LED Drivers
- LED Drivers Ambient Temp. Min (°C) is -40°C and Ambient Temp. Max (°C) ranges from 50°C to 55°C
- 8 Standard Finishes, Custom and Marine Grade Finish Available
- Controls Agnostic, Compatible with Most Control Systems and Sensors
- Environmentally Friendly Product Which Reduces Energy Consumption, L70 > 100,000 hours
- Buy America(n) Option Available, Easy to Install Mounting
- Cost Competitive and Short Shipping Lead Times in Days & Weeks

### QUICK STATS

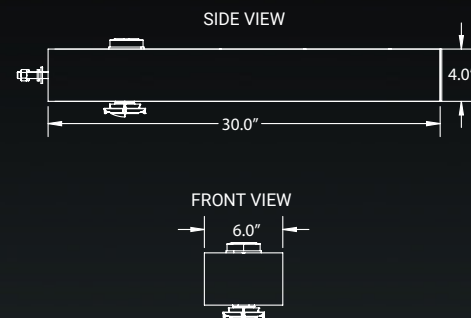
**Lumens:** 4,385 – 18,686

**Kelvin:** 27K7, 27K8, 30K7, 30K8, 35K8, 40K7, 40K8, 50K7, 50K8

**Wattage:** 36 – 156

**Weight:** 21 lbs

**Category:** Area, Site & Roadway



## TRAC-4

TRAC Collection is a sleek, high-performance minimalist elegant family featuring Silicone Micro Optics with excellent thermal management. Silicone Micro Optics provide 96% Clarity and Heat Resistance up to 150°C.

### PRODUCT FEATURES

- IES Distributions T2, T3, T4, T5
- 2700K, 3000K, 3500K, 4000K, 5000K CCT Multichip High Power 70 & 80 CRI LEDs
- IP65 Rated Against Dust & Water Ingress
- Mountings available: Direct Pole 6" and 11" Arm, Wall Mount
- 20kA Surge Protection (120V - 480V), 0-10V Programmable, Dimming LED Drivers
- LED Drivers Ambient Temp. Min (°C) is -40°C and Ambient Temp. Max (°C) ranges from 50°C to 55°C
- 8 Standard Finishes, Custom and Marine Grade Finish Available
- Controls Agnostic, Compatible with Most Control Systems and Sensors
- Environmentally Friendly Product Which Reduces Energy Consumption, L70 > 100,000 hours
- Buy America(n) Option Available, Easy to Install Mounting
- Cost Competitive and Short Shipping Lead Times in Days & Weeks



### QUICK STATS

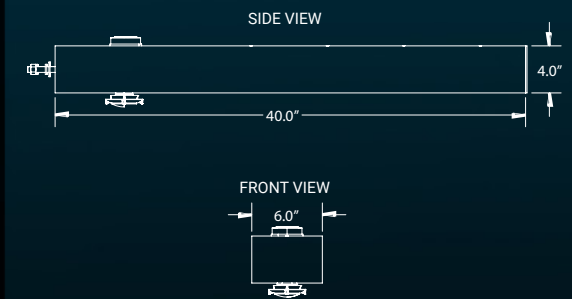
**Lumens:** 4,385 – 24,355

**Kelvin:** 27K8, 30K7, 30K8, 35K8, 40K7, 40K8, 50K7, 50K8

**Wattage:** 36 – 205

**Weight:** 28 lbs

**Category:** Area, Site & Roadway





## TRAC-5

TRAC Collection is a sleek, high-performance minimalist elegant family featuring Silicone Micro Optics with excellent thermal management. Silicone Micro Optics provide 96% Clarity and Heat Resistance up to 150°C.

### QUICK STATS

**Lumens:** 4,385 – 24,355

**Kelvin:** 27K7, 27K8, 30K7, 30K8, 35K8, 40K7, 40K8, 50K7, 50K8

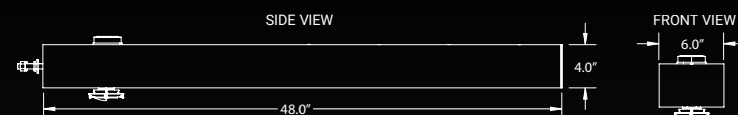
**Wattage:** 36 – 205

**Weight:** 21 lbs

**Category:** Area, Site & Roadway

### PRODUCT FEATURES

- IES Distributions T2, T3, T4, T5
- 2700K, 3000K, 3500K, 4000K, 5000K CCT Multichip High Power 70 & 80 CRI LEDs
- IP65 Rated Against Dust & Water Ingress
- Mountings available: Spider Mount over a 2 3/8" Tenon or Spider Mount over a 3" Tenon
- 20kA Surge Protection (120V - 480V), 0–10V Programmable, Dimming LED Drivers
- LED Drivers Ambient Temp. Min (°C) is -40°C and Ambient Temp. Max (°C) ranges from 50°C to 55°C
- 8 Standard Finishes, Custom and Marine Grade Finish Available
- Controls Agnostic, Compatible with Most Control Systems and Sensors
- Environmentally Friendly Product Which Reduces Energy Consumption, L70 > 100,000 hours
- Buy America(n) Option Available, Easy to Install Mounting
- Cost Competitive and Short Shipping Lead Times in Days & Weeks



## CAL-S

The California Series gives a nod to the Spanish mission era style while providing a pleasant nonglare visually comfortable light. Patented Star Power reflector system enables performance to exceed IES minimum foot candle levels and extend maintenance cycles.

### PRODUCT FEATURES

- LEDs are positioned 2 to 3 inches deep within the housing so they cannot be seen—no-glare, neighborhood friendly solution
- 3 different caps and 5 different shades to mix and match with
- IES Distributions T2, T3, T4, T5
- 2700K, 3000K, 3500K, 4000K, 5000K CCT Multichip High Power 70 & 80 CRI LEDs
- IP65 Rated Against Dust & Water Ingress
- Mountings available: Arm Mount and Wall Mount
- 20kA Surge Protection (120V - 480V), 0–10V Programmable, Dimming LED Drivers
- LED Drivers Ambient Temp. Min (°C) is -40°C and Ambient Temp. Max (°C) ranges from 50°C to 55°C
- 8 Standard Finishes, Custom and Marine Grade Finish Available
- Controls Agnostic, Compatible with Most Control Systems and Sensors
- Environmentally Friendly Product Which Reduces Energy Consumption, L70 > 100,000 hours
- Buy America(n) Option Available, Easy to Install Mounting
- Cost Competitive and Short Shipping Lead Times in Days & Weeks



### QUICK STATS

**Lumens:** 1,800 – 11,872

**Kelvin:** 27K8, 30K7, 30K8, 35K8, 40K7, 40K8, 50K7, 50K8

**Wattage:** 18 – 106

**Weight:** N/A

**Category:** Area, Site & Roadway



## CAL-1

The California Series gives a nod to the Spanish mission era style while providing a pleasant nonglare visually comfortable light. Patented Star Power reflector system enables performance to exceed IES minimum foot candle levels and extend maintenance cycles.

### QUICK STATS

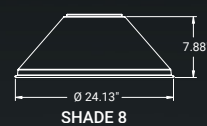
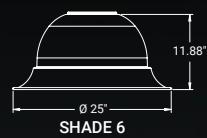
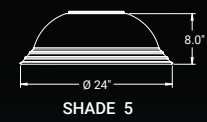
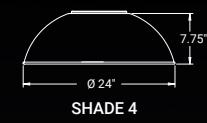
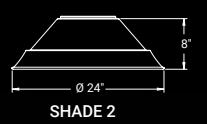
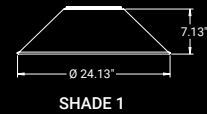
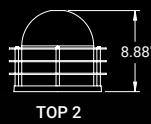
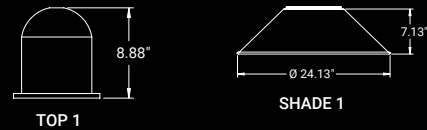
**Lumens:** 7,100 – 23,575

**Kelvin:** 27K7, 27K8, 30K7, 30K8, 35K8, 40K7, 40K8, 50K7, 50K8

**Wattage:** 71 – 205

**Weight:** 21 lbs

**Category:** Area, Site & Roadway



### PRODUCT FEATURES

- LEDs are positioned 2 to 3 inches deep within the housing so they cannot be seen—no-glare, neighborhood friendly solution
- 3 different caps and 8 different shades to mix and match with
- IES Distributions T2, T3, T4, T5
- 2700K, 3000K, 3500K, 4000K, 5000K CCT Multichip High Power 70 & 80 CRI LEDs
- IP65 Rated Against Dust & Water Ingress
- Mountings available: Arm Mount and Wall Mount
- 20kA Surge Protection (120V - 480V), 0–10V Programmable, Dimming LED Drivers
- LED Drivers Ambient Temp. Min (°C) is -40°C and Ambient Temp. Max (°C) ranges from 50°C to 55°C
- 8 Standard Finishes, Custom and Marine Grade Finish Available
- Controls Agnostic, Compatible with Most Control Systems and Sensors
- Environmentally Friendly Product Which Reduces Energy Consumption, L70 > 100,000 hours
- Buy America(n) Option Available, Easy to Install Mounting
- Cost Competitive and Short Shipping Lead Times in Days & Weeks

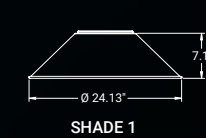


## CAL-2

The California Series gives a nod to the Spanish mission era style while providing a pleasant nonglare visually comfortable light. Patented Star Power reflector system enables performance to exceed IES minimum foot candle levels and extend maintenance cycles.

### PRODUCT FEATURES

- LEDs are positioned 2 to 3 inches deep within the housing so they cannot be seen—no-glare, neighborhood friendly solution
- 3 different caps and 2 different shades to mix and match with
- IES Distributions T2, T3, T4, T5
- 2700K, 3000K, 3500K, 4000K, 5000K CCT Multichip High Power 70 & 80 CRI LEDs
- IP65 Rated Against Dust & Water Ingress
- Mountings available: Arm Mount and Wall Mount
- 20kA Surge Protection (120V - 480V), 0–10V Programmable, Dimming LED Drivers
- LED Drivers Ambient Temp. Min (°C) is -40°C and Ambient Temp. Max (°C) ranges from 50°C to 55°C
- 8 Standard Finishes, Custom and Marine Grade Finish Available
- Controls Agnostic, Compatible with Most Control Systems and Sensors
- Environmentally Friendly Product Which Reduces Energy Consumption, L70 > 100,000 hours
- Buy America(n) Option Available, Easy to Install Mounting
- Cost Competitive and Short Shipping Lead Times in Days & Weeks



### QUICK STATS

**Lumens:** 8,500 – 31,034

**Kelvin:** 27K8, 30K7, 30K8, 35K8, 40K7, 40K8, 50K7, 50K8

**Wattage:** 85 – 263

**Weight:** N/A

**Category:** Area, Site & Roadway





## CAM-1

The Cambria adds a touch of class and elegance to any Municipal or Residential project. Architectural form by day and efficient by night. The Cambria is the perfect low glare solution for any Roadway, Street, Residential or Pathway project.

### QUICK STATS

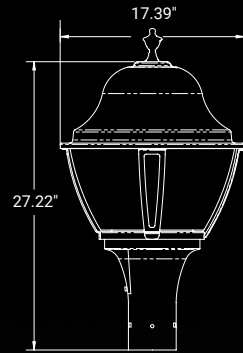
**Lumens:** 1,598 – 10,816

**Kelvin:** 27K7, 27K8, 30K7, 30K8, 35K8, 40K7, 40K8, 50K7, 50K8

**Wattage:** 17 – 104

**Weight:** 20 lbs

**Category:** Area, Site & Roadway



### PRODUCT FEATURES

- Utilizing the latest LED technology – The Patented STAR POWER™ Optical System keeps glare to a bare minimum
- Includes 3" Cast Finial as a standard, powder-coated finish to match fixture
- IES Distributions T3 and T5
- 2700K, 3000K, 3500K, 4000K, 5000K CCT Multichip High Power 70 & 80 CRI LEDs
- IP65 Rated Against Dust & Water Ingress
- 20kA Surge Protection (120V - 480V), 0–10V Programmable, Dimming LED Drivers
- LED Drivers Ambient Temp. Min (°C) is -40°C and Ambient Temp. Max (°C) ranges from 50°C to 55°C
- 8 Standard Finishes, Custom and Marine Grade Finish Available
- Controls Agnostic, Compatible with Most Control Systems and Sensors
- Environmentally Friendly Product Which Reduces Energy Consumption, L70 > 100,000 hours
- Buy America(n) Option Available, Easy to Install Mounting
- Cost Competitive and Short Shipping Lead Times in Days & Weeks



## NOVA-2

The modern Nova 2, DarkSky friendly full cutoff LED post top luminaire utilizes NLS' patented Star Power Optical System to distribute light evenly. The Nova 2 offers a collar design that makes the perfect complement to any retail, commercial, residential, or municipal project.

### PRODUCT FEATURES

- LEDs are positioned 2 to 3 inches deep within the housing so they cannot be seen—no-glare, neighborhood friendly solution
- IES Distributions T2, T3, T4, T5
- 3000K, 4000K, 5000K CCT Multichip High Power 70 & 80 CRI LEDs
- IP65 Rated Against Dust & Water Ingress
- Mountings available: Post Top Over 2 3/8" OD or Post Top Over 3" OD
- 20kA Surge Protection (120V - 480V), 0–10V Programmable, Dimming LED Drivers
- LED Drivers Ambient Temp. Min (°C) is -40°C and Ambient Temp. Max (°C) ranges from 50°C to 55°C
- 8 Standard Finishes, Custom and Marine Grade Finish Available
- Controls Agnostic, Compatible with Most Control Systems and Sensors
- Environmentally Friendly Product Which Reduces Energy Consumption, L70 > 100,000 hours
- Buy America(n) Option Available, Easy to Install Mounting
- Cost Competitive and Short Shipping Lead Times in Days & Weeks



### QUICK STATS

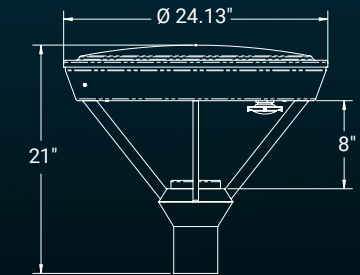
**Lumens:** 1,728 – 23,370

**Kelvin:** 30K7, 40K7, 50K7

**Wattage:** 18 – 205

**Weight:** 26 lbs

**Category:** Area, Site & Roadway





# HRZ-1

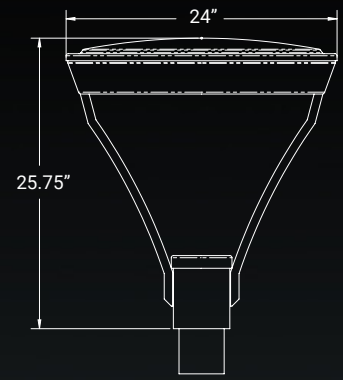
Horizon Post Top luminaire is a blend of beautiful luminaire design which is a compliment to commercial or recreational pathways. This Dark Sky Friendly Full Cutoff luminaire utilizes silicone Micro Optics to distribute light uniformly as its LEDs are recessed and hidden.

### QUICK STATS

- Lumens:** 2,070 – 26,240
- Kelvin:** 27K8, 30K7, 30K8, 35K8, 40K7, 40K8, 50K7, 50K8
- Wattage:** 18 – 205
- Weight:** N/A
- Category:** Area, Site & Roadway

### PRODUCT FEATURES

- LEDs are recessed within the housing so they cannot be seen—no-glare, neighborhood friendly solution
- Optional decorative dome top
- IES Distributions T2, T3, T4, T5
- 2700K, 3000K, 3500K, 4000K, 5000K CCT Multichip High Power 70 & 80 CRI LEDs
- IP65 Rated Against Dust & Water Ingress
- Mountings available: Post Top Over 2 3/8" OD, Post Top Over 3" OD, and Post Top Over 3 1/2" OD
- 20kA Surge Protection (120V - 480V), 0–10V Programmable, Dimming LED Drivers
- LED Drivers Ambient Temp. Min (°C) is -40°C and Ambient Temp. Max (°C) ranges from 50°C to 55°C
- 8 Standard Finishes, Custom and Marine Grade Finish Available
- Controls Agnostic, Compatible with Most Control Systems and Sensors
- Environmentally Friendly Product Which Reduces Energy Consumption, L70 > 100,000 hours
- Buy America(n) Option Available, Easy to Install Mounting
- Cost Competitive and Short Shipping Lead Times in Days & Weeks



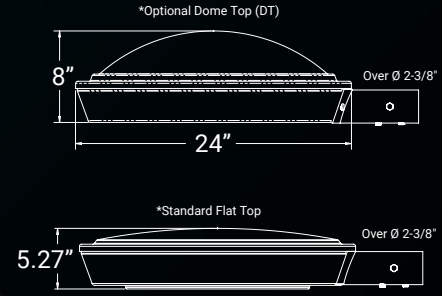
# HRZ-1

Horizon Mast Arm luminaire is a blend of beautiful luminaire design which is a compliment to commercial or recreational pathways. This Dark Sky Friendly Full Cutoff luminaire utilizes silicone Micro Optics to distribute light uniformly as its LEDs are recessed and hidden.



### PRODUCT FEATURES

- LEDs are positioned 2 to 3 inches deep within the housing so they cannot be seen—no-glare, neighborhood friendly solution
- IES Distributions T2, T3, T4, T5
- 2700K, 3000K, 3500K, 4000K, 5000K CCT Multichip High Power 70 & 80 CRI LEDs
- IP65 Rated Against Dust & Water Ingress
- Mountings available: Mast Arm Over 2 3/8" OD
- 20kA Surge Protection (120V - 480V), 0–10V Programmable, Dimming LED Drivers
- LED Drivers Ambient Temp. Min (°C) is -40°C and Ambient Temp. Max (°C) ranges from 50°C to 55°C
- 8 Standard Finishes, Custom and Marine Grade Finish Available
- Controls Agnostic, Compatible with Most Control Systems and Sensors
- Environmentally Friendly Product Which Reduces Energy Consumption, L70 > 100,000 hours
- Buy America(n) Option Available, Easy to Install Mounting
- Cost Competitive and Short Shipping Lead Times in Days & Weeks



### QUICK STATS

- Lumens:** 2,070 – 26,240
- Kelvin:** 27K8, 30K7, 30K8, 35K8, 40K7, 40K8, 50K7, 50K8
- Wattage:** 18 – 205
- Weight:** N/A
- Category:** Area, Site & Roadway





## SVN-1

The Savannah adds a touch of class and elegance to any Municipal, or Residential Project. Beautiful by day and efficient by night, the Savannah is the perfect street, curbside and pathway solution.

### QUICK STATS

**Lumens:** 1,598 – 11,024

**Kelvin:** 27K8, 30K7, 30K8, 35K8, 40K7, 40K8, 50K7, 50K8

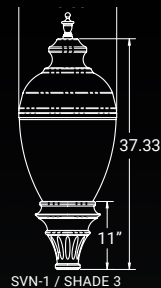
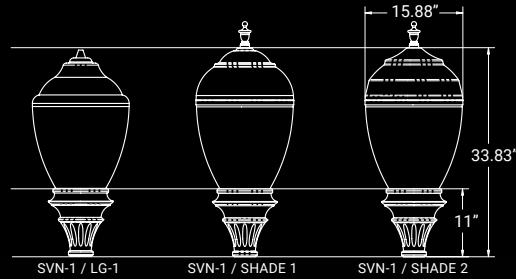
**Wattage:** 17 – 104

**Weight:** 28 lbs

**Category:** Area, Site & Roadway

### PRODUCT FEATURES

- 3 Shade options, 2 lens options
- IES Distributions T2, T3, T4, T5
- 2700K, 3000K, 3500K, 4000K, 5000K CCT Multichip High Power 70 & 80 CRI LEDs
- IP65 Rated Against Dust & Water Ingress
- Mountings available: Post Top Mount Over 3" OD Tenon
- 20kA Surge Protection (120V - 480V), 0–10V Programmable, Dimming LED Drivers
- LED Drivers Ambient Temp. Min (°C) is -40°C and Ambient Temp. Max (°C) ranges from 50°C to 55°C
- 8 Standard Finishes, Custom and Marine Grade Finish Available
- Controls Agnostic, Compatible with Most Control Systems and Sensors
- Environmentally Friendly Product Which Reduces Energy Consumption, L70 > 100,000 hours
- Buy America(n) Option Available, Easy to Install Mounting
- Cost Competitive and Short Shipping Lead Times in Days & Weeks



## SVN-2

The Savannah 2 is available in two different globe designs, three top shades and additional decorative options such as the Filigree + Strut Combo. Beautiful by day and efficient by night, the Savannah is the perfect street, curbside and pathway solution.

### PRODUCT FEATURES

- 3 Shade options, 2 lens options, 2 different Globe designs
- IES Distributions T2, T3, T4, T5
- 2700K, 3000K, 3500K, 4000K, 5000K CCT Multichip High Power 70 & 80 CRI LEDs
- IP65 Rated Against Dust & Water Ingress
- Mountings available: Post Top Mount Over 3" OD Tenon
- 20kA Surge Protection (120V - 480V), 0–10V Programmable, Dimming LED Drivers
- LED Drivers Ambient Temp. Min (°C) is -40°C and Ambient Temp. Max (°C) ranges from 50°C to 55°C
- 8 Standard Finishes, Custom and Marine Grade Finish Available
- Controls Agnostic, Compatible with Most Control Systems and Sensors
- Environmentally Friendly Product Which Reduces Energy Consumption, L70 > 100,000 hours
- Buy America(n) Option Available, Easy to Install Mounting
- Cost Competitive and Short Shipping Lead Times in Days & Weeks



### QUICK STATS

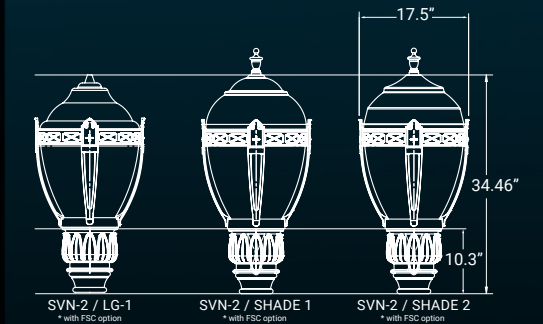
**Lumens:** 1,598 – 11,024

**Kelvin:** 27K8, 30K7, 30K8, 35K8, 40K7, 40K8, 50K7, 50K8

**Wattage:** 17 – 104

**Weight:** 28 lbs

**Category:** Area, Site & Roadway





# ARMS



## Architectural Arm 1

### PRODUCT FEATURES

Architectural Arm 1 is constructed of extruded aluminum tubing. Integrates with poles or tenons of 3-1/2", 4", 4-1/2", or 5" OD and is secured with 3/8" stainless steel Allen set screws. Contact NLS for custom configuration or others mounting options. Arms are designed, tooled, fabricated and assembled in the USA.



## Architectural Arm 2

### PRODUCT FEATURES

Architectural Arm 2 is constructed of extruded aluminum tubing. Integrates with poles or tenons of 3-1/2", 4", 4-1/2", or 5" OD and is secured with 3/8" stainless steel Allen set screws. Contact NLS for custom configuration or others mounting options. Arms are designed, tooled, fabricated and assembled in the USA.



## Architectural Arm 3

### PRODUCT FEATURES

Architectural Arm 3 is constructed of extruded aluminum tubing. Integrates with poles or tenons of 3-1/2", 4", 4-1/2", or 5" OD and is secured with 3/8" stainless steel Allen set screws. Contact NLS for custom configuration or others mounting options. Arms are designed, tooled, fabricated and assembled in the USA.

# POLES

## We Make Our Own Poles

We offer Round and Square Poles in aluminum or steel in straight, tapered, fluted, or direct burial designs. Standard Aluminum pole material is 6063 Alloy extrusion with yield of 46,000 and Grade B Steel, which conform to ASTM A500 Standards. Our collection of cast aluminum Decorative Pole Bases grants the ability to accessorize a pole for residential or commercial projects. Aluminum, painted Round or Square Base Covers are offered with poles.

### POLES:

- |                                  |                          |
|----------------------------------|--------------------------|
| 1. Straight Steel Round Pole     | 5. Direct Burial         |
| 2. Straight Steel Square Pole    | 6. Tapered Aluminum Pole |
| 3. Straight Aluminum Round Pole  | 7. Tapered Steel Pole    |
| 4. Straight Aluminum Square Pole | 8. Fluted Pole\          |



# BASES



## DPB-100

### PRODUCT FEATURES

**DPB Category:** Pathway, Residential or Commercial projects.

**Base Material:** Two-piece decorative cast aluminum. Marine grade copper-free. Base plate 9" or 12" SQ. Measures 32" tall x 20" OD wide.

**Finish:** 3-5 mils rich textured powder coat finish. Custom color match, including Patina Verde and Weathered Brown.

**Compatible Poles:** Round Straight Steel (RSSP) or Round Straight Aluminum (RSAP) poles in 4", 5", 6", or 7" OD in 7 or 11 gauge. Round Tapered Steel (RTSP) or Round Tapered Aluminum (RTAP) poles in 8" OD maximum in 7 or 11 gauge. Consult factory for fluted options.



## DPB-500

### PRODUCT FEATURES

**DPB Category:** Roadway, Residential, or Commercial projects.

**Base Material:** Two-piece decorative cast aluminum base. Marine grade copper free aluminum base. Base plate in 9" or 12" SQ. Measures 17.75" tall x 18.63" OD wide.

**Finish:** 5 Millimeters rich textured powder coat finish. Custom color match, including Patina Verde and Weathered Brown.

**Compatible Poles:** Round Straight Steel (RSSP) or Round Straight Aluminum (RSAP) poles in 4", or 5" OD in 7 or 11 gauge. Consult factory for fluted options.



## DPB-200

### PRODUCT FEATURES

**DPB Category:** Pathway, Residential or Commercial projects.

**Base Material:** Two-piece decorative cast aluminum. Marine grade copper-free aluminum. Base plate 10" OD. Measures 36.5" tall x 12" OD wide.

**Finish:** 5 Millimeters rich textured powder coat finish. Custom color match, including Patina Verde and Weathered Brown.

**Compatible Poles:** Round Straight Steel (RSSP) or Round Straight Aluminum (RSAP) poles in 4", or 5" OD in 7 or 11 gauge. Consult factory for fluted options.



## DPB-600

### PRODUCT FEATURES

**DPB Category:** Pathway, or Residential projects.

**Base Material:** One-piece decorative cast aluminum base. Marine grade copper free aluminum base. Base bolt circle 6" OD. Measures 11.5" tall x 9" OD wide.

**Finish:** 5 Millimeters rich textured powder coat finish. Custom color match, including Patina Verde and Weathered Brown.

**Compatible Poles:** Round Straight Aluminum (RSAP) poles in 3" OD in 7 or 11 gauge. Max 10' mounting height. Consult factory for fluted options.



## DPB-1100

### PRODUCT FEATURES

**DPB Category:** Roadway, Residential, or Commercial projects.

**Base Material:** Two-piece decorative cast aluminum base. Marine grade copper free aluminum base. Base plate in 9" or 12" SQ. Measures 33" tall x 17.5" OD wide.

**Finish:** 5 Millimeters rich textured powder coat finish. Custom color match, including Patina Verde and Weathered Brown.

**Compatible Poles:** Round Straight Steel (RSSP) or Round Straight Aluminum (RSAP) poles in 5" OD in 7 or 11 gauge. Consult factory for fluted options.

## DPB-300

### PRODUCT FEATURES

**DPB Category:** Roadway, Residential or Commercial projects.

**Base Material:** Two-piece decorative cast aluminum base. Marine grade copper free aluminum. Measures 37.5" T x 10.19" W. Base plate 9" OD (7.25" max BC).

**Finish:** 5 mils rich textured powder coat finish. Custom color match available upon request, including Patina Verde and Weathered Brown.

**Compatible Poles:** Round Straight Steel (RSSP) or Round Straight Aluminum (RSAP) poles in 4", or 5" OD in 7 or 11 gauge. Consult factory for fluted options.



## DPB-1300

### PRODUCT FEATURES

**DPB Category:** Roadway, Residential, or Commercial projects.

**Base Material:** Two-piece decorative cast aluminum base. Marine grade copper free aluminum base. Base plate in 9" SQ. Measures 24" tall x 15" OD wide.

**Finish:** 5 Millimeters rich textured powder coat finish. Custom color match, including Patina Verde and Weathered Brown.

**Compatible Poles:** Round Straight Steel (RSSP) or Round Straight Aluminum (RSAP) poles in 4" or 5" OD in 7 or 11 gauge. Consult factory for fluted options.

## DPB-400

### PRODUCT FEATURES

**DPB Category:** Pathway, or Residential projects.

**Base Material:** Two-piece decorative cast aluminum base. Marine grade copper free aluminum. Measures 18.5" tall x 16.875" OD wide. Base plate 9" SQ.

**Compatible Poles:** Round Straight Steel (RSSP) or Round Straight Aluminum, (RSAP) poles in 4", or 5" OD in 7 or 11 gauge. Consult factory for fluted options.





## DPB-800

### PRODUCT FEATURES

**DPB Category:** Pathway, or Residential projects.

**Base Material:** Two-piece clamshell base. Marine grade copper free aluminum base.

**Finish:** 5 Millimeters rich textured powder coat finish. Custom color match, including Patina Verde and Weathered Brown.

**Compatible Poles:** Round Straight Steel (RSSP) or Round Straight Aluminum (RSAP) poles in 4", 5" or 6" OD in 7 or 11 gauge. Consult factory for fluted options.



## DPB-900

### PRODUCT FEATURES

**DPB Category:** Roadway, Residential, or Commercial projects.

**Base Material:** Two-piece decorative cast aluminum base. Marine grade copper free aluminum base. Base plate in 9" or 12" SQ. Measures 17.75" tall x 18.63" OD wide.

**Finish:** 5 Millimeters rich textured powder coat finish. Custom color match, including Patina Verde and Weathered Brown.

**Compatible Poles:** Round Straight Steel (RSSP) or Round Straight Aluminum (RSAP) poles in 4" or 5" OD in 7 or 11 gauge. Consult factory for fluted options.

## DPB-1400

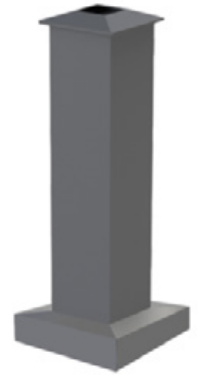
### PRODUCT FEATURES

**DPB Category:** Roadway, Residential, or Commercial projects.

**Base Material:** One-piece decorative cast aluminum base. Marine grade copper free aluminum. Measures 3' tall x 8" wide. Base plate is 14" SQ. Base Cover is 14.25" SQ.

**Finish:** 5 Millimeters rich textured powder coat finish. Custom color match, including Patina Verde and Weathered Brown.

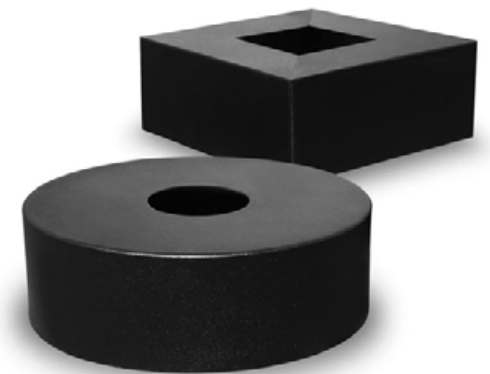
**Compatible Poles:** Square Straight Steel (SSSP) or Square Straight Aluminum (SSAP) poles in 4" or 5" SQ in 7 or 11 gauge. Consult factory for custom options.



## Pole Base Cover

### PRODUCT FEATURES







Standard Base Cover 0are constructed from heavy gauged aluminum. Our two-Piece, 5" tall Base Cover is easy to install and available in round and square dimensions. Base Covers are designed for round poles that measure 3" to 6" wide and square poles that measure 4" to 6" wide. Base covers are finished with a 5 millimeter high-quality rich textured powder coat to match pole color. Designed, tooled, manufactured and assembled in the USA.













# SELECTION

## PRODUCT SELECTION GUIDE

						
<b>Series</b>	NV-1	NV-2	NV-3	VSR-S	VSR-1-YM	VSR-1
<b>LED Type</b>	Silicone	Silicone	Silicone	Silicone	Silicone	Silicone
<b>Lumens (IM)</b>	1,944 – 26,650	18,816 – 52,352	40,459 – 103,699	2,016 – 12,720	2,016 – 12,720	7,427 – 24,600
<b>Kelvin</b>	27K7, 27K8, 30K7, 30K8, 35K8, 40K7, 40K8, 50K7, 50K8	27K7, 27K8, 30K7, 30K8, 35K8, 40K7, 40K8, 50K7, 50K8	27K7, 27K8, 30K7, 30K8, 35K8, 40K7, 40K8, 50K7, 50K8	27K7, 27K8, 30K7, 30K8, 35K8, 40K7, 40K8, 50K7, 50K8	27K7, 27K8, 30K7, 30K8, 35K8, 40K7, 40K8, 50K7, 50K8	27K7, 27K8, 30K7, 30K8, 35K8, 40K7, 40K8, 50K7, 50K8
<b>Wattage</b>	18 – 205	168 – 409	403 – 805	18 – 106	18 – 106	71 – 205
<b>LPW</b>	Up to 130	Up to 130	Up to 125	Up to 132	Up to 132	Up to 128
<b>Optical Distributon</b>	T2, T3, T4, T5, N2, N3	T2, T3, T4, T5	T2, T3, T4, T5	T2, T3, T4, T5	T2, T3, T4, T5	T2, T3, T4, T5
<b>Dimming</b>	Yes	Yes	Yes	Yes	Yes	Yes
<b>Buy America(N)</b>	Yes	Yes	Yes	Yes	Yes	Yes

						
<b>Series</b>	VSR-1-SPMX	VSR-2	VSR-2-SPMX	VSS-S	VSS-1	VSS-1-SPMX
<b>LED Type</b>	Silicone	Silicone	Silicone	Silicone	Silicone	Silicone
<b>Lumens (IM)</b>	7,427 – 24,600	27,510 – 37,604	27,510 – 37,604	1,980 – 12,508	7,242 – 24,190	7,242 – 24,190
<b>Kelvin</b>	27K7, 27K8, 30K7, 30K8, 35K8, 40K7, 40K8, 50K7, 50K8	27K7, 27K8, 30K7, 30K8, 35K8, 40K7, 40K8, 50K7, 50K8	27K7, 27K8, 30K7, 30K8, 35K8, 40K7, 40K8, 50K7, 50K8	27K7, 27K8, 30K7, 30K8, 35K8, 40K7, 40K8, 50K7, 50K8	27K7, 27K8, 30K7, 30K8, 35K8, 40K7, 40K8, 50K7, 50K8	27K7, 27K8, 30K7, 30K8, 35K8, 40K7, 40K8, 50K7, 50K8
<b>Wattage</b>	71 – 205	263 – 316	263 – 316	18 – 106	71 – 205	71 – 205
<b>LPW</b>	Up to 128	Up to 116	Up to 116	Up to 137	Up to 137	Up to 137
<b>Optical Distributon</b>	T2, T3, T4, T5	T2, T3, T4, T5	T2, T3, T4, T5	T2, T3, T4, T5	T2, T3, T4, T5	T2, T3, T4, T5
<b>Dimming</b>	Yes	Yes	Yes	Yes	Yes	Yes
<b>Buy America(N)</b>	Yes	Yes	Yes	Yes	Yes	Yes

						
<b>Series</b>	VSS-2	VSR-2	TRAC-2	TRAC-3	TRAC-4	TRAC-5
<b>LED Type</b>	Silicone	Silicone	Silicone	Silicone	Silicone	Silicone
<b>Lumens (IM)</b>	27,510 – 37,604	26,826 – 39,816	4,409 – 12,698	4,385 – 18,686	4,385 – 24,190	4,385 – 24,355
<b>Kelvin</b>	27K7, 27K8, 30K7, 30K8, 35K8, 40K7, 40K8, 50K7, 50K8	27K7, 27K8, 30K7, 30K8, 35K8, 40K7, 40K8, 50K7, 50K8	27K7, 27K8, 30K7, 30K8, 35K8, 40K7, 40K8, 50K7, 50K8	27K7, 27K8, 30K7, 30K8, 35K8, 40K7, 40K8, 50K7, 50K8	27K7, 27K8, 30K7, 30K8, 35K8, 40K7, 40K8, 50K7, 50K8	27K7, 27K8, 30K7, 30K8, 35K8, 40K7, 40K8, 50K7, 50K8
<b>Wattage</b>	263 – 316	263 – 316	36 – 106	36 – 156	36 – 205	36 – 205
<b>LPW</b>	Up to 126	Up to 126	Up to 133	Up to 136	Up to 139	Up to 139
<b>Optical Distributon</b>	T2, T3, T4, T5	T2, T3, T4, T5	T2, T3, T4, T5	T2, T3, T4, T5	T2, T3, T4, T5	T2, T3, T4, T5
<b>Dimming</b>	Yes	Yes	Yes	Yes	Yes	Yes
<b>Buy America(N)</b>	Yes	Yes	Yes	Yes	Yes	Yes

						
<b>Series</b>	CAL-S	CAL-1	CAL-2	CAM-2	NOVA-2	HRZ-1
<b>LED Type</b>	Star Power	Star Power	Star Power	Star Power	Star Power	Silicone
<b>Lumens (IM)</b>	1,800 – 11,872	7,100 – 23,575	8,500 – 31,034	1,598 – 10,816	1,728 – 23,370	2,070 – 26,240
<b>Kelvin</b>	27K7, 27K8, 30K7, 30K8, 35K8, 40K7, 40K8, 50K7, 50K8	27K7, 27K8, 30K7, 30K8, 35K8, 40K7, 40K8, 50K7, 50K8	27K7, 27K8, 30K7, 30K8, 35K8, 40K7, 40K8, 50K7, 50K8	27K7, 27K8, 30K7, 30K8, 35K8, 40K7, 40K8, 50K7, 50K8	27K7, 27K8, 30K7, 30K8, 35K8, 40K7, 40K8, 50K7, 50K8	27K7, 27K8, 30K7, 30K8, 35K8, 40K7, 40K8, 50K7, 50K8
<b>Wattage</b>	18 – 112	71 – 205	85 – 263	17 – 104	18 – 205	18 – 205
<b>LPW</b>	Up to 112	Up to 112	Up to 118	Up to 104	Up to 114	Up to 132
<b>Optical Distributon</b>	T2, T3, T4, T5	T2, T3, T4, T5	T2, T3, T4, T5	T3, T5	T2, T3, T4, T5	T2, T3, T4, T5
<b>Dimming</b>	Yes	Yes	Yes	Yes	Yes	Yes
<b>Buy America(N)</b>	Yes	Yes	Yes	Yes	Yes	Yes

			
<b>Series</b>	HRZ-1 MA	SVN-1	SVN-2
<b>LED Type</b>	Silicone	Star Power	Star Power
<b>Lumens (IM)</b>	2,070 – 26,240	1,598 – 11,024	1,598 – 11,024
<b>Kelvin</b>	27K7, 27K8, 30K7, 30K8, 35K8, 40K7, 40K8, 50K7, 50K8	27K7, 27K8, 30K7, 30K8, 35K8, 40K7, 40K8, 50K7, 50K8	27K7, 27K8, 30K7, 30K8, 35K8, 40K7, 40K8, 50K7, 50K8
<b>Wattage</b>	18 – 205	17 – 104	17 – 104
<b>LPW</b>	Up to 132	Up to 106	Up to 106
<b>Optical Distributon</b>	T2, T3, T4, T5	T2, T3, T4, T5	T2, T3, T4, T5
<b>Dimming</b>	Yes	Yes	Yes
<b>Buy America(N)</b>	Yes	Yes	Yes



[nslighting.com](https://nslighting.com)

701 Kingshill Place, Carson, CA 90746 • Call Us Today (310) 341-2037  
© 2023 NLS Lighting, LLC - All Rights Reserved