

**LED WATTAGE CHART**

Drive Current	16L
400 milliamps	21W
530 milliamps	25W
700 milliamps	33W

The Lira Light Column RGBW LED color changing (via Wireless Remote Control) column luminaire blends beauty, design, color and expression into a single powerful luminaire. Color rotations are Red, Green, Blue, and White. Color temperatures for pure White are available in Warm (3000K), Neutral (4000K) and Cool (5000K) lumens.

Enjoy creating various lighting effects for all different applications or can be continuous warm, neutral, or cool white for an even glow.

The standard heights of the Lira Light Column can range from 3 to 17 feet. Each column uses an acrylic lens, which is reinforced by integral tubing that creates a wireway for connection of top side and bottom side LEDs. Optional shields for lenses are available.

**BUY AMERICAN**

To ensure the latest BAA/TAA/BABA Standards are being met, please select BAA, TAA, or BABA in the options section. Please contact the factory before placing an order for any NLS products requesting BAA (Buy American Act), TAA (Trade American Act), or BABA (Build America, Buy America).



Project Name:

Type:

# LIRA LIGHT COLUMN ORDERING GUIDE

Cat#	Light Dist.	Wattage/Lens Ht.	Color Temp./CRI	Voltage	Base Height
Lira Light Column 6" OD <b>(LIR-6)</b>	Symmetric <b>(SYM)</b>	22W / 1' Lens <b>(22)</b>	3000K, 80 CRI <b>(30K8)</b>	120-277 <b>(UNV)</b>	2' <b>(2)</b>
Lira Light Column 8" OD <b>(LIR-8)</b>		44W / 2' Lens <b>(44)</b>	4000K, 80 CRI <b>(40K8)</b>	347-480 <b>(HV)</b>	4' <b>(4)</b>
		66W / 3' Lens <b>(66)</b>	5000K, 80 CRI <b>(50K8)</b>		6' <b>(6)</b>
		88W / 4' Lens <b>(88)</b>	RGBW <b>(RGB) 1</b>		7' <b>(7)</b>
		110W / 5' Lens <b>(110)</b>			8' <b>(8)</b>
					10' <b>(10)</b>
					12' <b>(12) 2</b>

Mounting	Color	Options	Perf. Shield Options
Anchor Base <b>(AB)</b>	Bronze Textured <b>(BRZ)</b>	Marine Grade Finish <b>(MGF)</b>	Perforated 1 <b>(PERF1) 6,7</b>
Wall Mount <b>(WM)</b>	White Textured <b>(WHT)</b>	GFI Kit <b>(GFI) 5</b>	Perforated 2 <b>(PERF2) 6,7</b>
	Smooth White Gloss <b>(SWT)</b>	Banner Arms <b>(BA)</b>	Custom Perforated <b>(PERFCST) 8</b>
	Silver Metallic <b>(SVR)</b>	Buy American Act <b>(BAA) 4</b>	
	Black Textured <b>(BLK)</b>	Trade Agreement Act <b>(TAA) 4</b>	
	Smooth Black Gloss <b>(SBK)</b>	Build America Buy American <b>(BABA) 4</b>	
	Graphite Textured <b>(GPH)</b>	Custom Controls Integration <b>(CCI) 3</b>	
	Grey Textured <b>(GRY)</b>		
	Green Textured <b>(GRN)</b>		
	Hunter Green Textured <b>(HGN)</b>		
	Custom <b>(CS)</b>		

## NOTES:

- Standard RGBW is remote control operated, please contact factory for DMX/RDM application requests.
- LIR-8 Only
- Please contact Factory for Custom Control Integration requests (nLight, NX, WaveLinx, Crestron, DMX/RDM, Synapse, Casambi, Dali II, Avi-On, or other control systems)
- Consult factory for all BAA/TAA/BABA requests
- 120V Only
- Contact Factory
- See page 8 for more details
- Contact Factory for Custom Perforated Shield Requests



701 Kingshill Place, Carson, CA 90746  
Call Us Today (310) 341-2037

nlsighting.com

# PRODUCT SPECIFICATIONS

## ELECTRICAL

- 120-277 Volts (UNV) or 347-480 Volts (HV)
- 0-10V dimming driver
- Driver power factor at maximum load is  $\geq .95$ , THD maximum load is 15%
- LED Drivers Ambient Temp. Min is  $-40^{\circ}\text{C}$  and Ambient Temp. Max ranges from  $50^{\circ}\text{C}$  to  $55^{\circ}\text{C}$  and, in some cases, even higher. Consult the factory for revalidation by providing the fixture catalog string before quoting and specifying it.
- All internal wiring UL certified for 600 VAC and  $105^{\circ}\text{C}$
- Color temperatures: 3000K, 4000K, 5000K, rgbw
- Surge Protection: 20KA supplied as standard.

## CONSTRUCTION

- Extruded and Cast Aluminum

## OPTIONS

- MARINE GRADE FINISH (MGF) - A multi-step process creating protective finishing coat against harsh environments. Chemically washed in a 5 stage cleaning system. Pre-baked, Powder coated 3-5 mils of Zinc Rich Super Durable Polyester Primer. Oven Baked. Finished Powder Coating of Super Durable Polyester Powder Coat 3-5 mil thickness.
- GFI Kit (GFI) - Optional Ground Fault Circuit Interrupter device protects from receiving electric shocks from faults in electrical devices.
- Banner arms (BA) - Constructed of 1" OD extruded aluminum pipe, extending 18", 24" or 36" in length.
- Controls Agnostic: Please contact factory for your preferred controls option. (nLight, NX, WaveLinx, Crestron, DMX/RDM, Synapse, Casambi, DALI II, Avi-On, or other control systems)

## FINISH

- 3-5 mils electrostatic powder coat.
- NLS Light's standard high-quality finishes prevent corrosion protects against and extreme environmental conditions

## WARRANTY

Five-year limited warranty for drivers and LEDs.

## LISTINGS

- UL Listed in compliance with UL 1598, the Standard for Safety of Luminaires, including the applicable wet location requirements
- Compliant with UL 8750 LED driver design and test safety standards
- CSA C22.2 No. 250.0

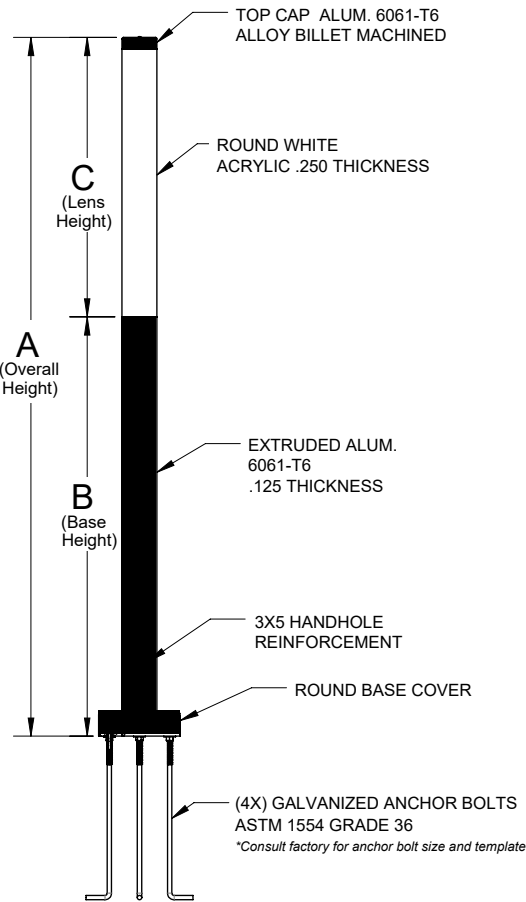
## BUY AMERICAN OPTION

While all of the NLS Lighting products listed in this document qualify for the Buy America(n) Act of 1933, we reserve the right to change our listings without notice.

The information provided above is for general informational purposes only. We encourage you to consult legal professionals for advice particular to your projects concerning BAA, TAA, BABA or Buy America.

Additional NLS Products that meet BAA, TAA standards can be found at the following link:

<https://nslighting.com/buy-american/>



DIMENSION	LIR-6	LIR-8
<b>A</b>	3-14 FT	3-17 FT
<b>B</b>	2-10 FT	2-12 FT
<b>C</b>	1-6 FT	1-5 FT



The information and specifications on this document are subject to change without any notification. All values are design, nominal, typical or prorated values when measured under internal and external laboratory conditions.



701 Kingshill Place, Carson, CA 90746  
Call Us Today (310) 341-2037

[nslighting.com](http://nslighting.com)

## PRODUCT SPECIFICATIONS

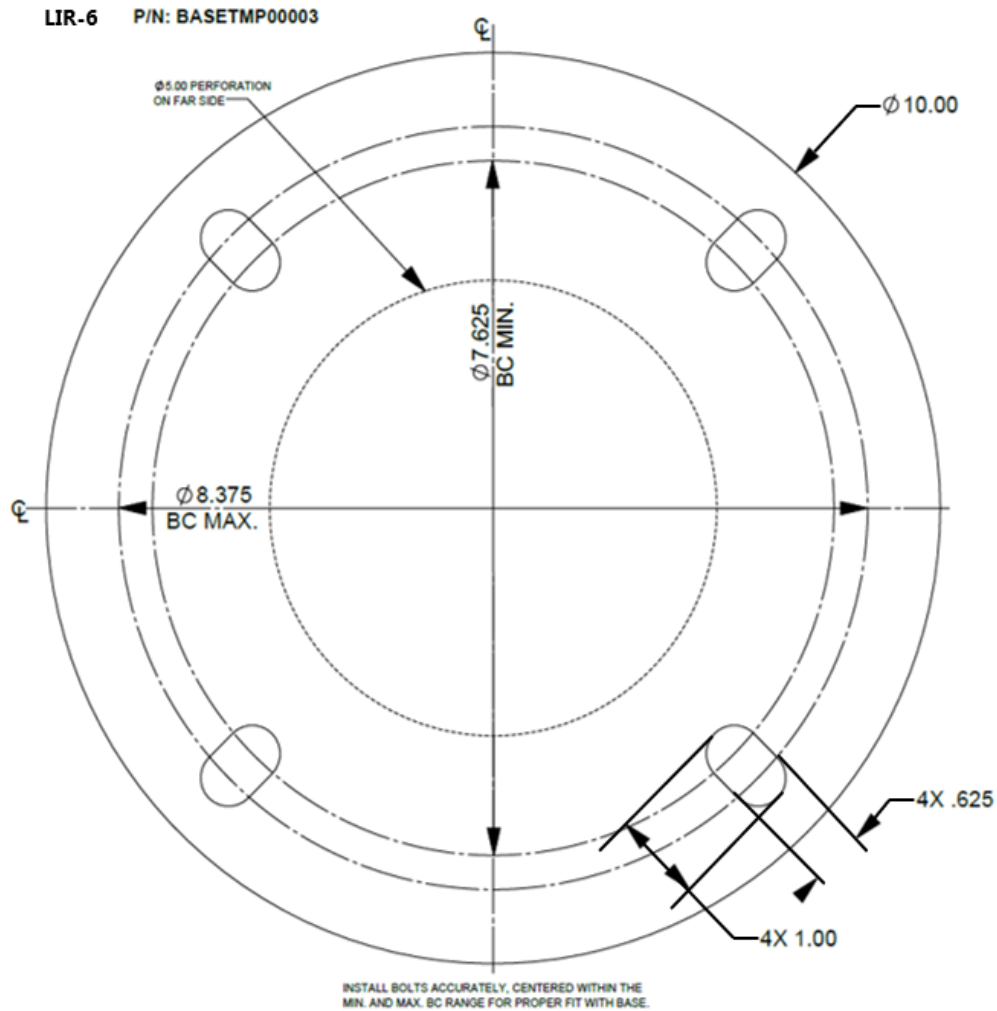
Levelling Nuts and washer must be installed under all bases to level pole shaft with the recommended bolt projection as shown. The double nut mounting system is used to level/plumb the pole shaft, not the base plate.

Top-nut rotation for turn-of-nut pre-tensioning of double-nut-moment connection

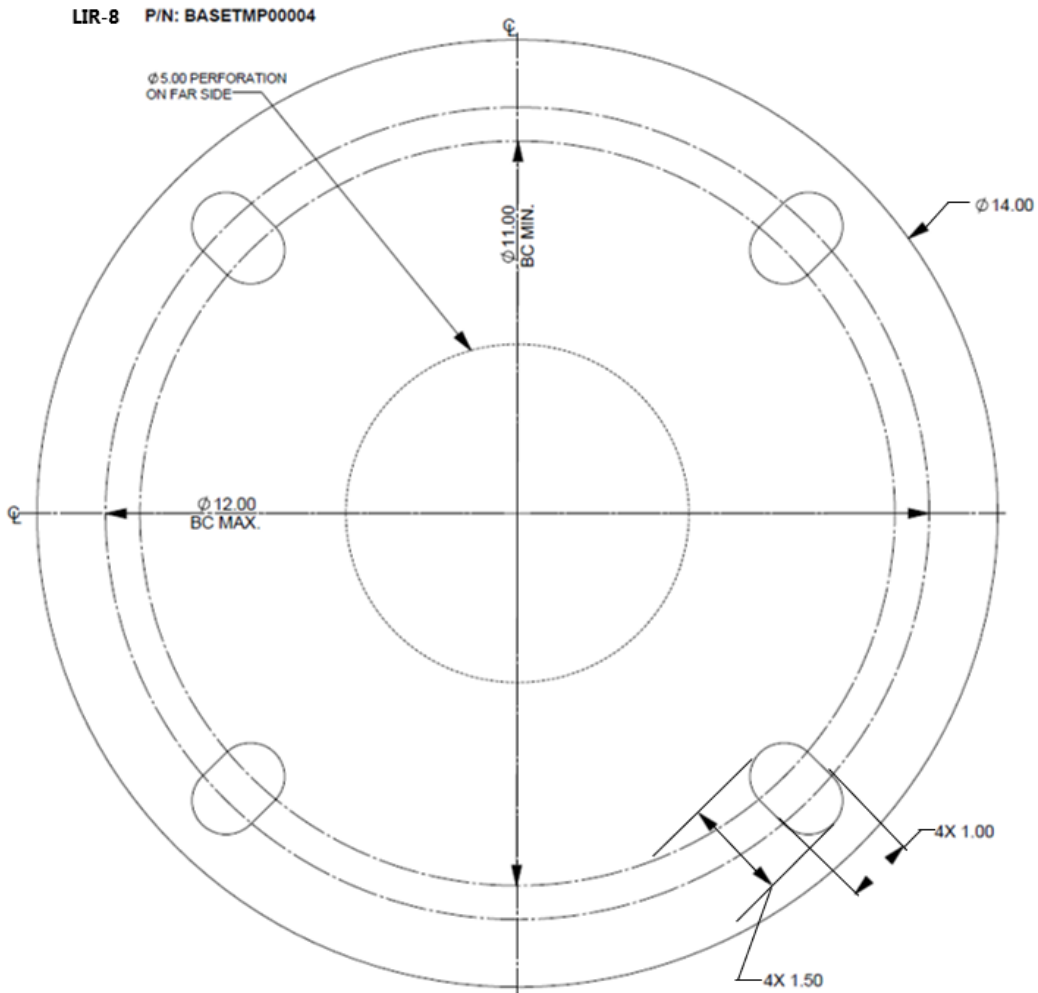
FIXTURE	BASE PLATE	ANCHOR BOLT	NUT ROTATION BEYOND SNUG TIGHT		Min B.C.	Max B.C.
			F1554 Grade 36	F1554 Grade 55 and 105, A449, A615 and A706 Grade 60		
LIR-6	10"	1/2"X18"	1/6 Turn	1/3 Turn	7.625"	8.375"
LIR-8	14"	3/4"X30"	1/6 Turn	1/3 Turn	11"	12"

**Warning!** Do Not grout beneath the base plate completely to allow the air circulation under the plate. Blockage of air flow will cause condensation and moisture build up inside the pole shaft. This could lead to corrosion and affect the pole structural integrity.

LIR-6 Template



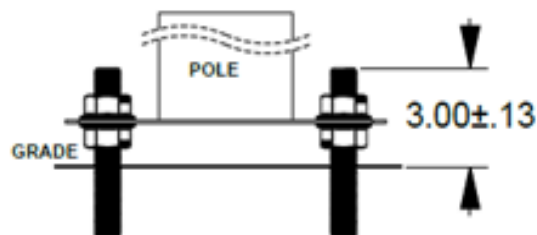
LIR-8 Template



**\*Important Notice:**

Be certain that this template will accommodate the bolt circle pattern on the pole base plate. If there is any doubt, please contact the factory

Install Bolts accurately, centered within the Min (7.625") and Max (8.375") B.C. range for proper fit with the base.



Leveling nuts and washers must be installed under all bases to level pole shaft with the recommended bolt projection as shown. The double nut mounting system is used to level/plumb the pole shaft, not the base plate.

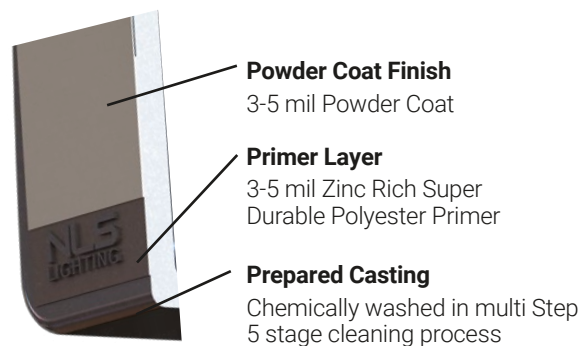
# PRODUCT SPECIFICATIONS

**LIRA LIGHT COLUMN - LUMEN DATA CHART**

PART NUMBER	LUMENS	LPW	WATTS
LIR-X-SYM-22-30K	2860	130	22
LIR-X-SYM-22-40K	2948	134	22
LIR-X-SYM-22-50K	3036	138	22
LIR-X-SYM-22-RGB	2024	92	22
LIR-X-SYM-44-30K	5720	130	44
LIR-X-SYM-44-40K	5896	134	44
LIR-X-SYM-44-50K	6072	138	44
LIR-X-SYM-44-RGB	4048	92	44
LIR-X-SYM-66-30K	8580	130	66
LIR-X-SYM-66-40K	8844	134	66
LIR-X-SYM-66-50K	9108	138	66
LIR-X-SYM-66-RGB	6072	92	66
LIR-X-SYM-88-30K	11568	130	88
LIR-X-SYM-88-40K	11792	134	88
LIR-X-SYM-88-50K	12144	138	88
LIR-X-SYM-88-RGB	8096	92	88
LIR-X-SYM-110-30K	14300	130	110
LIR-X-SYM-110-40K	14740	134	110
LIR-X-SYM-110-50K	15180	138	110
LIR-X-SYM-110-RGB	10120	92	110

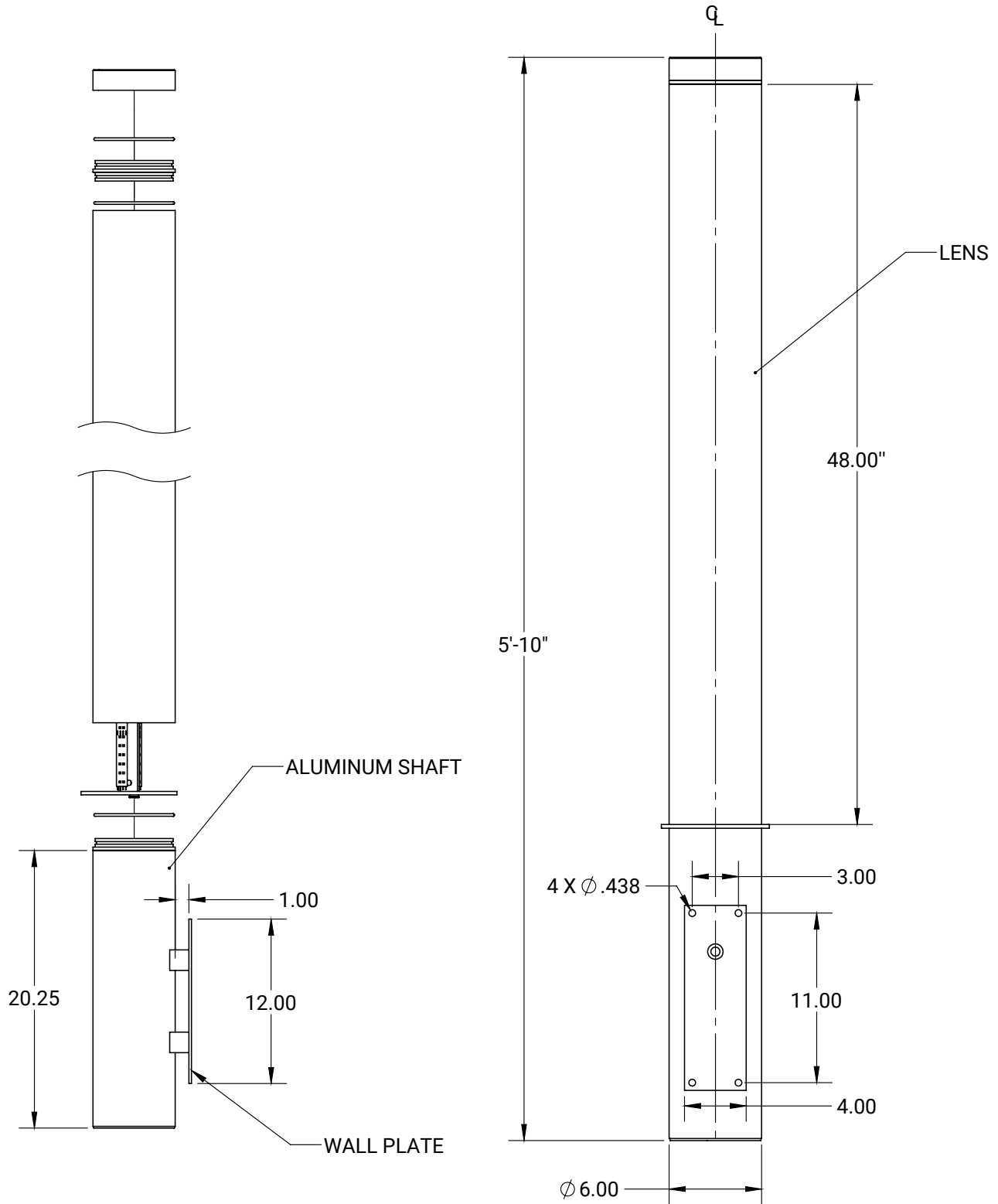
## MARINE GRADE FINISH (MGF)

The **(MGF)** is a multi step process. Chemically washed in a 5 stage cleaning system. Pre-baked. Powder coated 3-5 mils of Zinc Rich Super Durable Polyester Primer. Oven Baked. Finished Powder Coating of Super Durable Polyester Powder Coat 3-5 mil thickness.



PRODUCT SPECIFICATIONS

LIRA WALL MOUNT

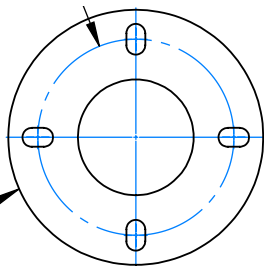


## PRODUCT SPECIFICATIONS

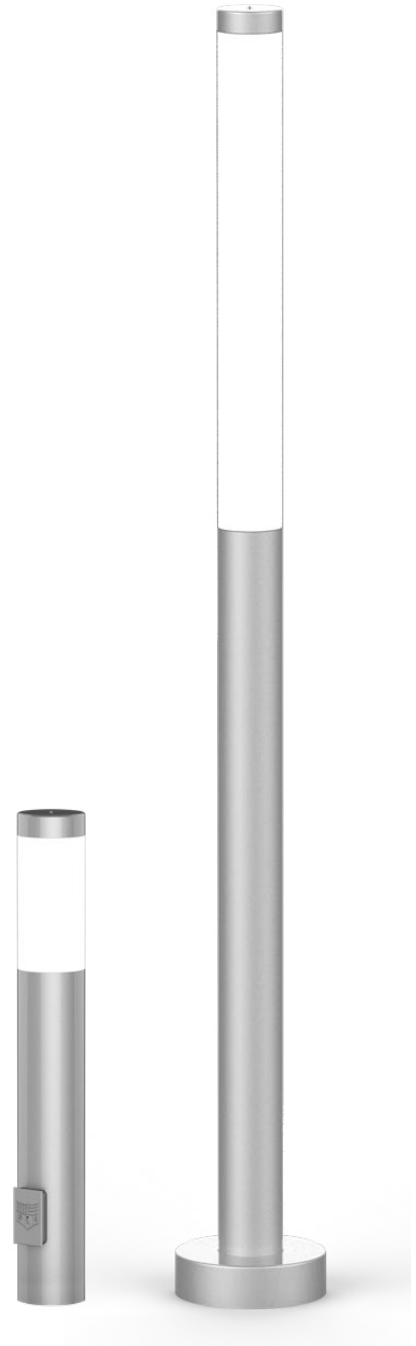
RGBW Remote Control: LDRF-RGB-MZ

MiBoxer 2.4 GHz Wi-Fi Multi Zone

\*Color changing can only be done via remote  
(reference installation instructions for pairing guide)



**BASE PLATE,  
ALUM. 6061-T6 ALLOY.**

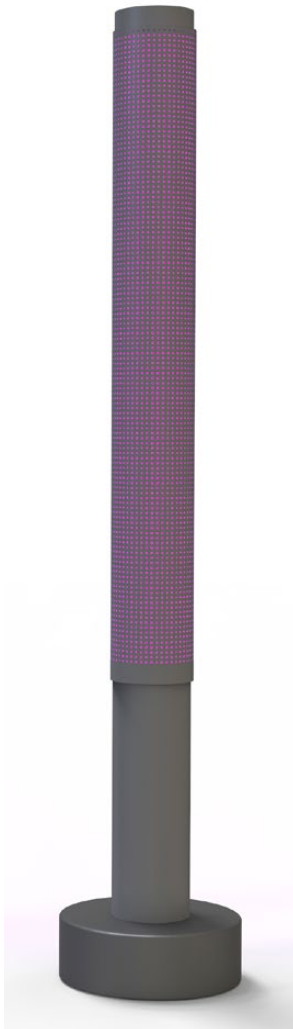


Lira is available as short as 3 feet and up to 17 feet tall

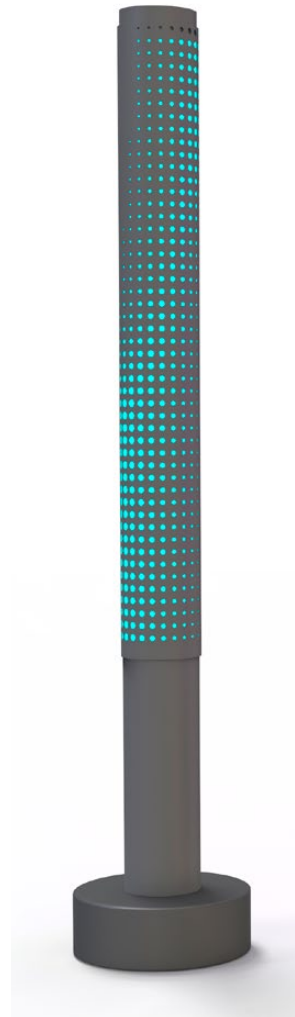
**Note:** Lira Light Columns with a base 3' and under will come with an internal base plate which will be secured with set screws. Bases 4' and up will come with an attached external base plate and Round Base Cover

**PRODUCT SPECIFICATIONS**

**LIRA PERFORATED SHIELD OPTIONS**



**LIRA PERFORATED 1**



**LIRA PERFORATED 2**