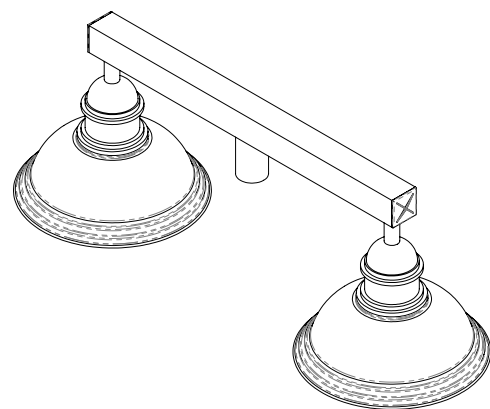
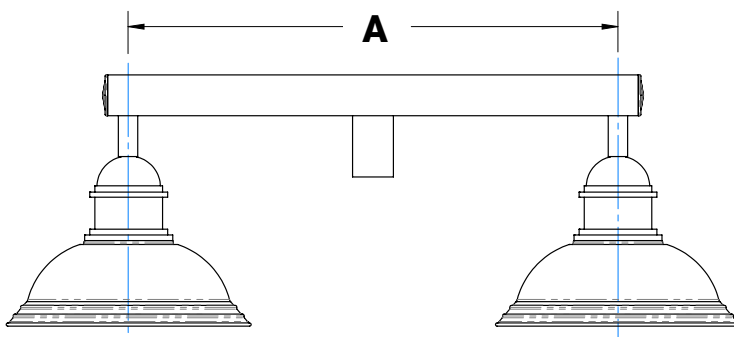




\* California fixture shown above

Inline Cross Pendant Arms are constructed of square steel tubing (11G) and can mount up to 5" diameter of Pole or Tenon. The arms are secured with 3/8" stainless steel Allen Sets Screws

and use black plastic snap-in end caps. Please, contact NLS for custom configuration or other mounting options.



MODEL	A
ICPA-D	36", 48"



Project Name:

Type:

# INLINE CROSS PENDANT ARM ORDERING GUIDE

Cat#	Distance (A)	Pole Diameter	Color
Inline Cross Pendant Arm Double <b>(ICPA-D)</b>	36" <b>(36)</b>	2-3/8" Round OD <b>(238R)</b>	Bronze Textured <b>(BRZ)</b>
	48" <b>(48)</b>	3" Round OD <b>(3R)</b>	White Textured <b>(WHT)</b>
		3-1/2" Round OD <b>(312R)</b>	Smooth White Gloss <b>(SWT)</b>
		4" Round OD <b>(4R)</b>	Silver Metallic <b>(SVR)</b>
		5" Round OD <b>(5R)</b>	Black Textured <b>(BLK)</b>
		4" Square <b>(4S)</b>	Smooth Black Gloss <b>(SBK)</b>
		5" Square <b>(5S)</b>	Graphite Textured <b>(GPH)</b>
			Grey Textured <b>(GRY)</b>
			Green Textured <b>(GRN)</b>
		Hunter Green Textured <b>(HGN)</b>	
	Custom <b>(CS)</b>		

Notes:



701 Kingshill Place, Carson, CA 90746  
Call Us Today (310) 341-2037

[nslighting.com](http://nslighting.com)