



**LED WATTAGE CHART**

	16L	32L
530 milliamps	28w	54w
700 milliamps	36w	68w
1050 milliamps	56w	-

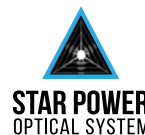
The Hermosa 68 Watts LED Wall Pack is California Title 24 Compliant. Each model comes with photocell. Recommended replacement wattage up to 150 watts Metal Halide. Clear lens is standard.

**The Hermosa is the Best Value Solid State Outdoor Lighting Solution Today**

- UL Listed for Wet Location
- Tempered Borosilicate Glass Lens
- High Quality Outdoor Powder Coat Finish
- Minimum Start Temperature -40° F
- Weather Resistant Silicon Gasket
- Independent Photometric Testing
- Title 24 Compliant
- Die Cast Aluminum Housing
- IP 66 Rated
- Suitable for use at 40° C Ambient Temperature

**BUY AMERICAN**

To ensure the latest BAA/TAA/BABA Standards are being met, please select BAA, TAA, or BABA in the options section. Please contact the factory before placing an order for any NLS products requesting BAA (Buy American Act), TAA (Trade Agreement Act), or BABA (Build America, Buy America).



**STAR POWER™ OPTICAL SYSTEM**

The Star Power™ reflector is an excellent system which provides great value and performance. Star Power Patent number: 10168023

Project Name:

Type:

# HRM-1 ORDERING GUIDE

Cat#	Light Dist.	No. of LEDs	Milliamps	Kelvin Temp	Volts
Hermosa 1 <b>(HRM-1)</b>	Type 4 <b>(T4)</b>	16 <b>(16L)</b>	530 <b>(53)</b>	Amber 585-600nm <b>(AMBER) ① ② ③</b>	120-277 <b>(UNV)</b>
		32 <b>(32L)</b>	700 <b>(7)</b>	2700K, 70 CRI <b>(27K7)</b>	
			1050 <b>(1) ④</b>	2700K, 80 CRI <b>(27K8) ②</b>	
				3000K, 70 CRI <b>(30K7)</b>	
				3000K, 80 CRI <b>(30K8) ②</b>	
				3500K, 80 CRI <b>(35K8) ②</b>	
				4000K, 70 CRI <b>(40K7)</b>	
				4000K, 80 CRI <b>(40K8) ②</b>	
				5000K, 70 CRI <b>(50K7)</b>	
				5000K, 80 CRI <b>(50K8) ②</b>	

Mounting	Color	Control Options	Options	Lens Options
Wall Mount <b>(WM)</b>	Bronze Textured <b>(BRZ)</b>	Button Photocell <b>(PC) ⑤</b>	Marine Grade Finish <b>(MGF)</b>	Polycarbonate Lens <b>(PL)</b>
	White Textured <b>(WHT)</b>	FSP-221B-D with Motion Sensor (UNV Voltage) <b>(FSP-8) ⑥</b>	Emergency Battery Back-Up 4w <b>(EM4)</b>	
	Smooth White Gloss <b>(SWT)</b>	*8' and Below <b>(FSP-20) ⑥</b>	Emergency Battery Back-Up 8w <b>(EM8)</b>	
	Silver Metallic <b>(SVR)</b>	*9'-20' Heights	Emergency Battery Back-Up 14w <b>(EMCP)</b>	
	Black Textured <b>(BLK)</b>		Emergency Battery Cold Pack 14w <b>(EMCP)</b>	
	Smooth Black Gloss <b>(SBK)</b>		Dual Circuit <b>(DC)</b>	
	Graphite Textured <b>(GPH)</b>		20KA Surge Protector <b>(20K)</b>	
	Grey Textured <b>(GRY)</b>		Buy American <b>(BAA) ⑦</b>	
	Green Textured <b>(GRN)</b>		Trade Agreement Act <b>(TAA) ⑧</b>	
	Hunter Green Textured <b>(HGN)</b>		Build America Buy American <b>(BABA) ⑧</b>	
	Custom <b>(CS)</b>		Custom Controls Integration <b>(CCI) ④</b>	

**Notes:**  
 ① 16L Only  
 ② Consult Factory for Lead Time. Consult Factory for 90 CRI Requests  
 ③ Universal Voltage 120-277  
 ④ Please contact Factory for Custom Control Integration requests (nLight, NX, WaveLinX, Crestron, DMX/RDM, Synapse, Casambi, Dali II, Avi-On, or other control systems)  
 ⑤ Turtle Safe  
 ⑥ Consult factory for all BAA/TAA/BABA requests  
 ⑦ Consult Factory for Lead Time  
 ⑧ Not Available above 1000mA



701 Kingshill Place, Carson, CA 90746  
 Call Us Today (310) 341-2037

nslighting.com

# PRODUCT SPECIFICATIONS

## ELECTRICAL

- 120-277 Volts (UNV) or 347-480 Volts (HV)
- 0-10V dimming driver
- Driver power factor at maximum load is  $\geq .95$ , THD maximum load is 15%
- LED Drivers Ambient Temp. Min is  $-40^{\circ}\text{C}$  and Ambient Temp. Max ranges from  $50^{\circ}\text{C}$  to  $55^{\circ}\text{C}$  and, in some cases, even higher. Consult the factory for revalidation by providing the fixture catalog string before quoting and specifying it.
- All internal wiring UL certified for 600 VAC and  $105^{\circ}\text{C}$
- CRI 70, 80 or 90
- Color temperatures: 2700, 3000K, 3500K, 4000K, 5000K

## CONSTRUCTION

- Die Cast Aluminum.

## OPTIONS

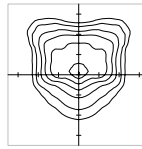
- MARINE GRADE FINISH (MGF) - A multi-step process creating protective finishing coat against harsh environments. Chemically washed in a 5 stage cleaning system. Pre-baked, Powder coated 3-5 mils of Zinc Rich Super Durable Polyester Primer. Oven Baked. Finished Powder Coating of Super Durable Polyester Powder Coat 3-5 mil thickness.
- POLYCARBONATE LENS
- EMERGENCY BATTERY BACK-UP
- COLD WEATHER BATTERY BACK-UP
- DUAL CIRCUIT
- 20KA SURGE PROTECTOR

## CONTROL OPTIONS

- FSP-221B-D (FSP-X)—Passive infrared (PIR) sensor providing multi-level control based on motion/daylight contribution.
  - All control parameters adjustable via wireless configuration remote storing and transmitting sensor profiles.
  - FSP-8 mounting heights 8 feet and under
  - FSP-20 mounting heights 21-40 feet
  - Includes 5 dimming event cycles, 0-10V dimming with motion sensing, re-programmable in the field.
  - FSIR-100 commissioning remote is required to change sensor settings. Please contact factory for ordering.
- BUTTON PHOTOCELL
- Controls Agnostic: Please contact factory for your preferred controls option. (nLight, NX, WaveLinx, Crestron, DMX/RDM, Synapse, Casambi, DALI II, Avi-On, or other control systems)

## OPTICS

Recessed Star Power Optical System is 95% reflective material. Utilizes a linear diffused pattern, softening the light distribution and eliminating any dark shadows or striations.



TYPE IV (T4)

## FINISH

- 3-5 mils electrostatic powder coat.
- NLS Lighting standard high-quality finishes prevent corrosion and protects against extreme environmental conditions

## WARRANTY

Five-year limited warranty for drivers and LEDs.

## BUY AMERICAN OPTION

While all of the NLS Lighting products listed in this document qualify for the Buy America(n) Act of 1933, we reserve the right to change our listings without notice.

The information provided above is for general informational purposes only. We encourage you to consult legal professionals for advice particular to your projects concerning BAA, TAA, BABA or Buy America.

Additional NLS Products that meet BAA, TAA standards can be found at the following link:

<https://nlsighting.com/buy-american/>



The information and specifications on this document are subject to change without any notification. All values are design, nominal, typical or prorated values when measured under internal and external laboratory conditions.



701 Kingshill Place, Carson, CA 90746  
Call Us Today (310) 341-2037

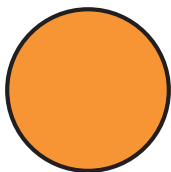
[nlsighting.com](https://nlsighting.com)

# PRODUCT SPECIFICATIONS

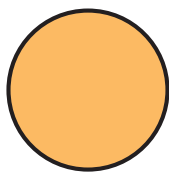
HERMOSA - LUMEN DATA CHART				
PART NUMBER	T4 Lumens	T4 Lm/W	B.U.G	Watts
HRM-1-T4-16L-53-30K7	2,163	77	B0-U0-G0	28
HRM-1-T4-16L-53-40K7	2,277	81	B0-U0-G0	28
HRM-1-T4-16L-53-50K7	2,277	81	B0-U0-G0	28
HRM-1-T4-16L-7-30K7	2,703	75	B1-U0-G1	36
HRM-1-T4-16L-7-40K7	2,846	79	B1-U0-G1	36
HRM-1-T4-16L-7-50K7	2,846	79	B1-U0-G1	36
HRM-1-T4-16L-1-30K7	3,785	68	B1-U0-G1	56
HRM-1-T4-16L-1-40K7	3,984	71	B1-U0-G1	56
HRM-1-T4-16L-1-50K7	3,984	71	B1-U0-G1	56
HRM-1-T4-32L-53-30K7	4,325	80	B1-U0-G1	54
HRM-1-T4-32L-53-40K7	4,553	84	B1-U0-G1	54
HRM-1-T4-32L-53-50K7	4,553	84	B1-U0-G1	54
HRM-1-T4-32L-7-30K7	5,407	79	B1-U0-G1	68
HRM-1-T4-32L-7-40K7	5,691	84	B1-U0-G1	68
HRM-1-T4-32L-7-50K7	5,691	84	B1-U0-G1	68

LUMEN MAINTENANCE DATA							
Ambient Temperature	Drive Current	L90 Hours*	L70 Hours**	30,000 Hours*	50,000 Hours*	60,000 Hours*	100,000 Hours**
25°C	Up to 700mA	58,000	173,000	95.7%	91.6%	89.6%	82.1%
	1050mA	38,000	96,000	93.0%	85.4%	81.8%	68.8%
*Reported extrapolations per IESNA TM-21				**Projected extrapolations per IESNA TM-21			

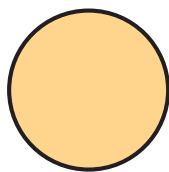
## LED KELVIN RANGE



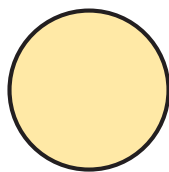
**AMBER**  
585-600 nm



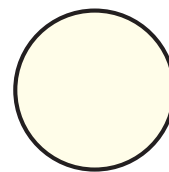
2700K 70 CRI



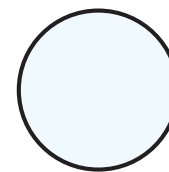
3000K 70 CRI



3500K 80 CRI



4000K 70 CRI

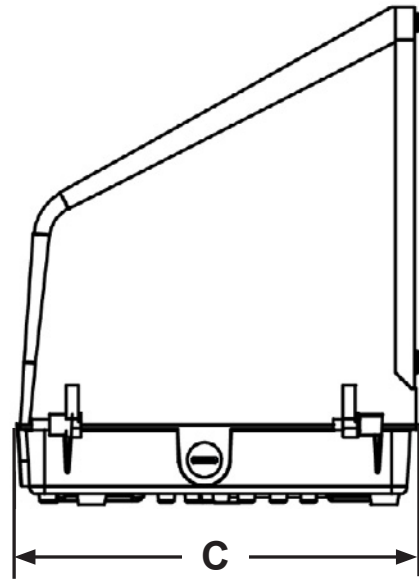
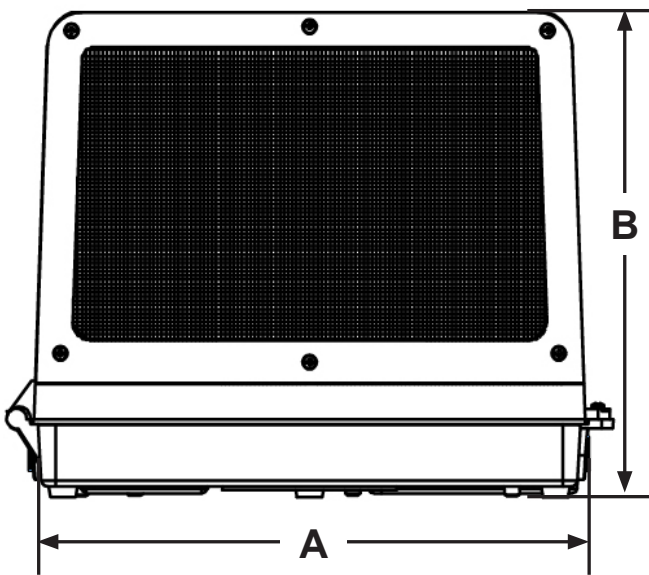


5000K 70 CRI

Color	Dominant or Peak Wavelength Range (nm)	
	Minimum	Maximum
Amber	585	600

# PRODUCT SPECIFICATIONS

DIMENSION	HRM-1
<b>A</b>	14.25 in
<b>B</b>	12.00 in
<b>C</b>	9.00 in

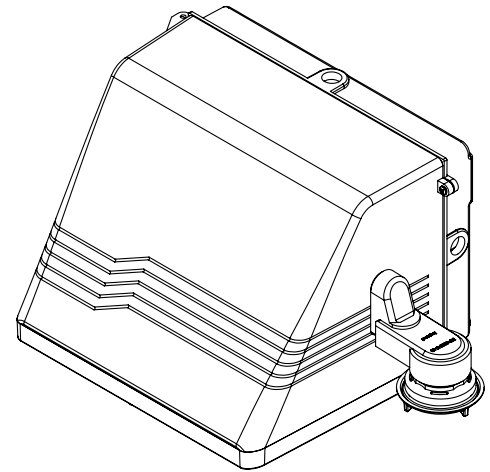


## PRODUCT SPECIFICATIONS

### FSP-221B-D WITH MOTION SENSOR (FSP-XX)

- FSP-221B-D (FSP-X)—Passive infrared (PIR) sensor providing multi-level control based on motion/daylight contribution.
- All control parameters adjustable via wireless configuration remote storing and transmitting sensor profiles.
- FSP-8 mounting heights 8 feet and under
- FSP-20 mounting heights 9-20 feet
- Includes 5 dimming event cycles, 0-10V dimming with motion sensing, re-programmable in the field.

FSP-221B-D



### MARINE GRADE FINISH (MGF)

The **(MGF)** is a multi step process. Chemically washed in a 5 stage cleaning system. Pre-baked. Powder coated 3-5 mil of Zinc Rich Super Durable Polyester Primer. Oven Baked. Finished Powder Coating of Super Durable Polyester Powder Coat 3-5 mil thickness.



**Powder Coat Finish**

3-5 mil Powder Coat

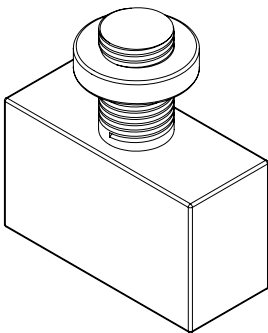
**Primer Layer**

3-5 mil Zinc Rich Super Durable Polyester Primer

**Prepared Casting**

Chemically washed in multi Step 5 stage cleaning process

### BUTTON PHOTOCELL



### Button Type Photocell (PC)

Photocell for dusk to dawn operation.  
Consult Factory.