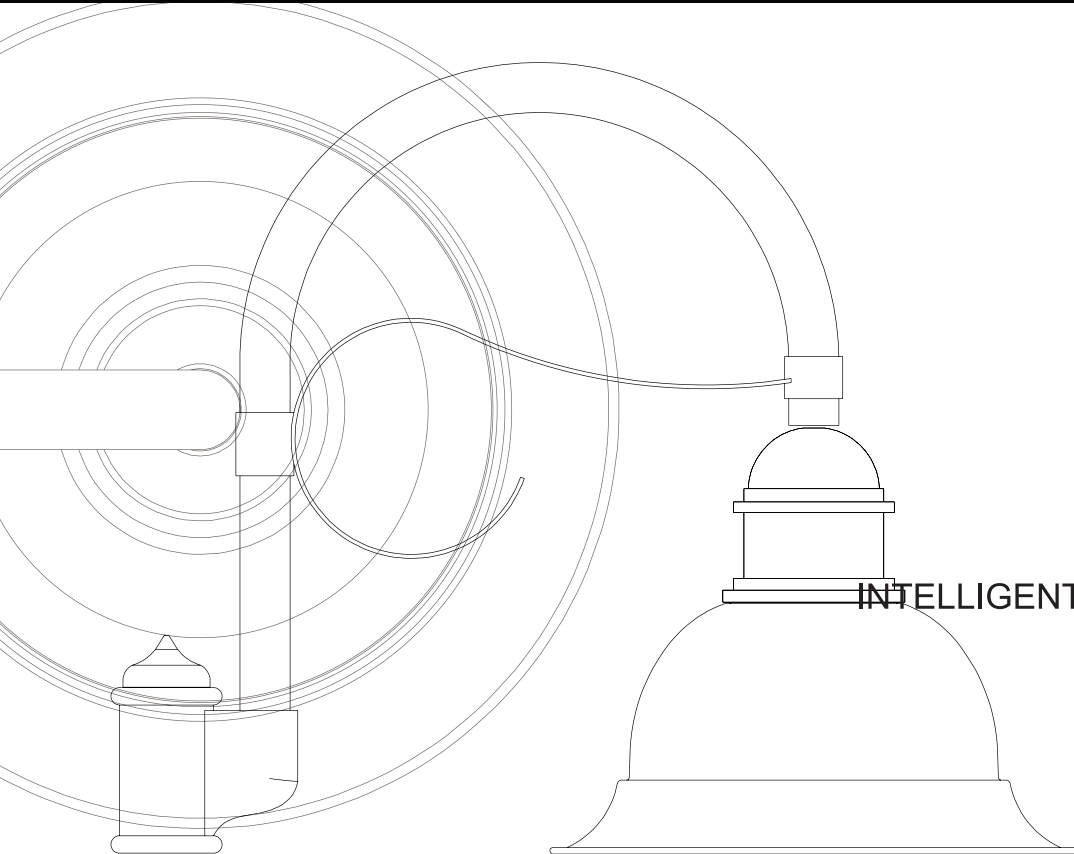


**NLS**  
LIGHTING

ARCHITECTURAL



**CALIFORNIA | LED**



INTELLIGENT LIGHT + PERFORMANCE™

[nlsighting.com](http://nlsighting.com)

# CALIFORNIA LED



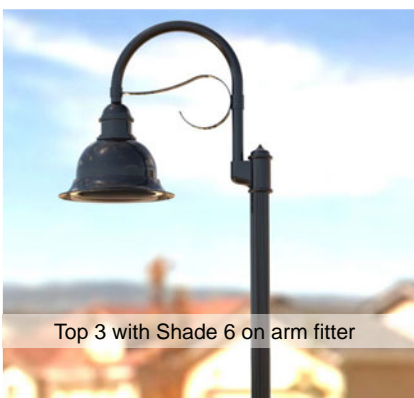
## STAR POWER REFLECTOR



The Star Power Reflector is an excellent system, providing great value and performance.



Top 1 with Shade 6 on Scroll Arms

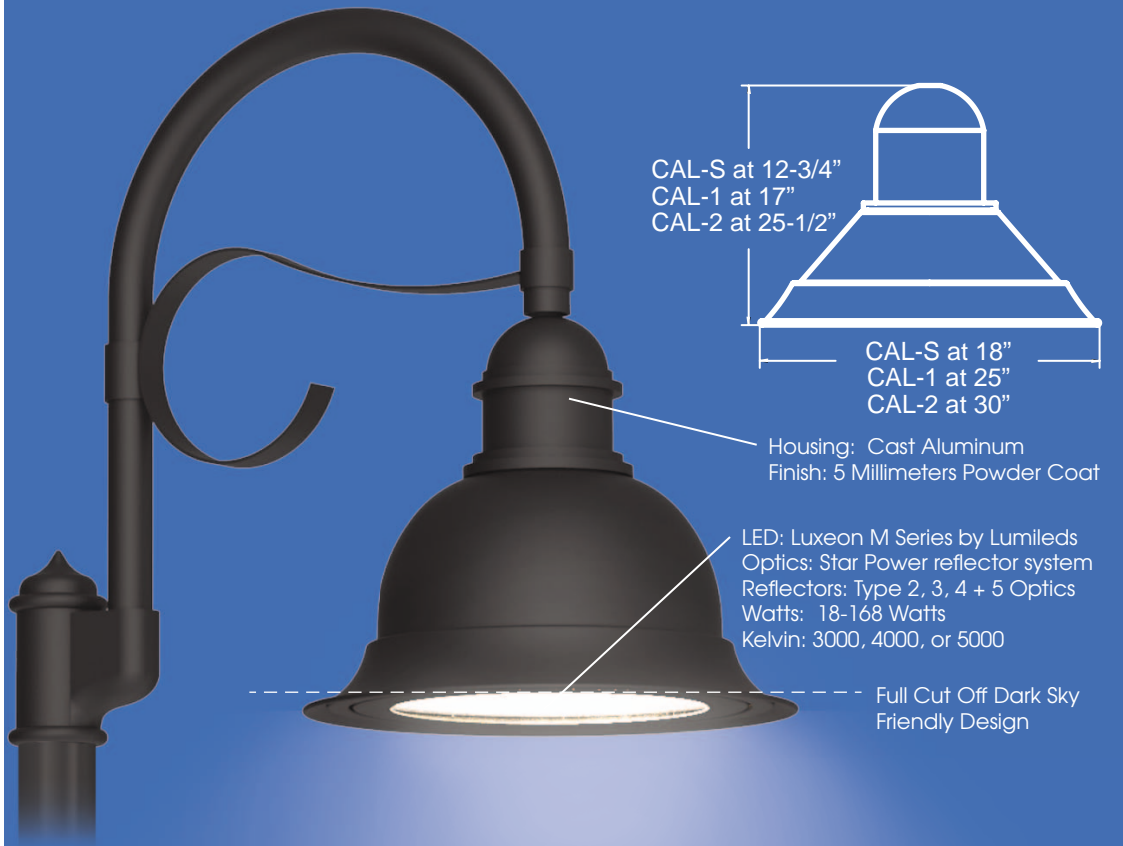


Top 3 with Shade 6 on arm fitter

## INTELLIGENT

- Designed to replace existing fixtures, saving 75% energy while exceeding IES minimum foot candle levels
- Neighborhood friendly—full Cutoff Dark Sky luminaire design with recessed LEDs to eliminate direct glare
- Clear tempered safety glass lens with silicone gasket that improves fixture reliability
- Available in 18-168 watts and is scalable to replace any wattage between 70-400 watt HID
- Throws light up to five mounting heights in all directions
- Kelvin temperature offering of 3000, 4000 and 5000 in Type 2, 3, 4 and 5 light distributions
- Beautiful Shades in sizes Small, One and Two, depicting a touch of California's historic Spanish mission era
- Patent-pending Star Power reflector system enables performance to exceed IES minimum foot candle levels and extend maintenance cycles
- L70 is greater than 60,000 hours
- Ambient operating temperature is -40° C to 50° C
- Philips Advance driver technology warranted 5 years
- Conforms to the strictest Made in America standards—designed, tooled, fabricated and assembled in the USA

# LIGHT



CAL-S at 12-3/4"  
CAL-1 at 17"  
CAL-2 at 25-1/2"

CAL-S at 18"  
CAL-1 at 25"  
CAL-2 at 30"

Housing: Cast Aluminum  
Finish: 5 Millimeters Powder Coat

LED: Luxeon M Series by Lumileds  
Optics: Star Power reflector system  
Reflectors: Type 2, 3, 4 + 5 Optics  
Watts: 18-168 Watts  
Kelvin: 3000, 4000, or 5000

Full Cut Off Dark Sky  
Friendly Design

## PHOTOMETRICS / APPLICATIONS

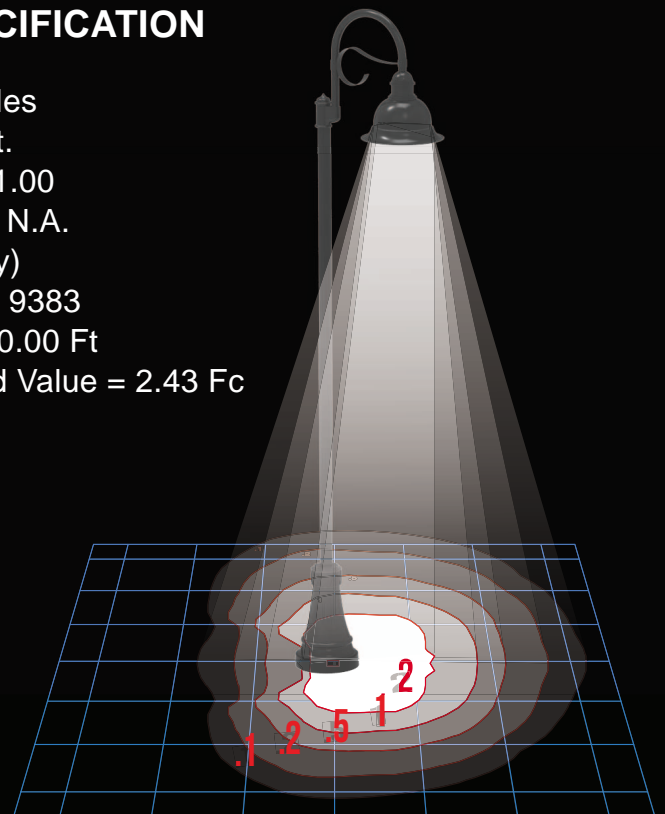
PHOTOMETRIC FILE NAME:  
CAL-1-T5-64L-5-50K.IES

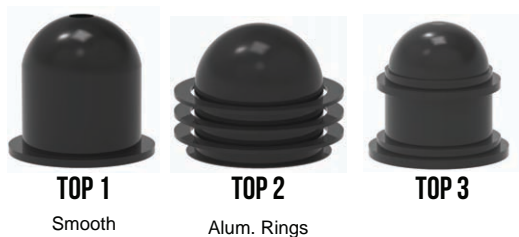
DESCRIPTIVE INFORMATION  
(From Photometric File):  
NLS LIGHTING LLC  
CAL-1-T2-SPR-64L-530-5000K  
CALIFORNIA 24"L. X 24"W.  
LED LUMINAIRE  
SEMI-SPECULAR REFLECTOR  
WITH CLEAR LENS

## + PERFORMANCE

### TEMPLATE SPECIFICATION

Horizontal Footcandles  
Scale: 1 Inch = 20 Ft.  
Light Loss Factor = 1.00  
Lumens Per Lamp = N.A.  
(absolute photometry)  
Luminaire Lumens = 9383  
Mounting Height = 20.00 Ft  
Maximum Calculated Value = 2.43 Fc  
Arrangement: Single





LED WATTAGE CHART			
	350mA	530mA	700mA
16L	18w	28w	36w
32L	33w	54w	71w
48L	51w	80w	104w
64L	66w	102w	137w
80L	85w	128w	168w

EPA	CAL-S	CAL-1	CAL-2
Single	0.82	1.4	2.74



PART NUMBER	T2 LUMENS	T2 LM/W	T3 LUMENS	T3 LM/W	T4 LUMENS	T4 LM/W	T5 LUMENS	T5 LM/W	Watts
CAL-S-16L-35-30K	1836	102	1854	103	1872	104	1800	100	18
CAL-S-16L-35-40K	1926	107	1908	106	1926	107	1854	103	18
CAL-S-16L-35-50K	2034	113	1998	111	2016	112	1908	106	18
CAL-S-16L-53-30K	2856	102	2884	103	2912	104	2800	100	28
CAL-S-16L-53-40K	2968	106	2968	106	2996	107	2884	103	28
CAL-S-16L-53-50K	3136	112	3108	111	3136	112	2968	106	28
CAL-S-16L-7-30K	3672	102	3708	103	3744	104	3600	100	36
CAL-S-16L-7-40K	3816	106	3816	106	3852	107	3708	103	36
CAL-S-16L-7-50K	4032	112	3996	111	4032	112	3816	106	36
CAL-S-32L-35-30K	3366	102	3399	103	3432	104	3300	100	33
CAL-S-32L-35-40K	3498	106	3498	106	3531	107	3399	103	33
CAL-S-32L-35-50K	3696	112	3663	111	3696	112	3498	106	33
CAL-S-32L-53-30K	5508	102	5562	103	5616	104	5400	100	54
CAL-S-32L-53-40K	5724	106	5724	106	5778	107	5562	103	54
CAL-S-32L-53-50K	6048	112	5994	111	6048	112	5724	106	54
CAL-S-32L-7-30K	7242	102	7313	103	7384	104	7100	100	71
CAL-S-32L-7-40K	7526	106	7597	107	7597	107	7313	103	71
CAL-S-32L-7-50K	7952	112	7881	111	7952	112	7526	106	71
CAL-1-48L-35-30K	5202	102	5304	104	5406	106	5151	101	51
CAL-1-48L-35-40K	5406	106	5508	108	5661	111	5355	105	51
CAL-1-48L-35-50K	5610	110	5712	112	5865	115	5457	107	51
CAL-1-48L-53-30K	8160	102	8320	104	8480	106	8080	101	80
CAL-1-48L-53-40K	8480	106	8640	108	8880	111	8400	105	80
CAL-1-48L-53-50K	8800	110	8960	112	9200	115	8560	107	80
CAL-1-48L-7-30K	10608	102	10816	104	11024	106	10504	101	104
CAL-1-48L-7-40K	11024	106	11232	108	11544	111	10920	105	104
CAL-1-48L-7-50K	11440	110	11648	112	11960	115	11128	107	104
CAL-1-64L-35-30K	6732	102	6864	104	6996	106	6666	101	66
CAL-1-64L-35-40K	6996	106	7128	108	7326	111	6930	105	66
CAL-1-64L-35-50K	7260	110	7392	112	7590	115	7062	107	66
CAL-1-64L-53-30K	10404	102	10608	104	10812	106	10302	101	102
CAL-1-64L-53-40K	10812	106	11016	108	11322	111	10710	105	102
CAL-1-64L-53-50K	11220	110	11424	112	11730	115	10914	107	102
CAL-1-64L-7-30K	13974	102	14248	104	14522	106	13837	101	137
CAL-1-64L-7-40K	14522	106	14796	108	15207	111	14385	105	137
CAL-1-64L-7-50K	15070	110	15344	112	15755	115	14660	107	137
CAL-2-80L-35-30K	8500	100	8585	101	8670	102	9095	107	85
CAL-2-80L-35-40K	8840	104	8925	105	9010	106	9520	112	85
CAL-2-80L-35-50K	9180	108	9265	109	9350	110	10030	118	85
CAL-2-80L-53-30K	12800	100	12928	101	13056	102	13696	107	128
CAL-2-80L-53-40K	13312	104	13440	105	13568	106	14336	112	128
CAL-2-80L-53-50K	13824	108	13952	109	14080	110	15104	118	128
CAL-2-80L-7-30K	16800	100	16968	101	17136	102	17976	107	168
CAL-2-80L-7-40K	17472	104	17640	105	17808	106	18816	112	168
CAL-2-80L-7-50K	18144	108	18312	109	18480	110	19824	118	168



## ORDERING GUIDE

CAT #	TOP/SHADE	TYPE	# OF LEDS	MILLIAMPS	KELVIN	VOLTS	MOUNTING	COLOR	OPTIONS
California small 18" Diameter <b>(CAL-S)</b> *32L Max (Shade 6 + 7 Only)	Top 1 <b>(TP1)</b>	Type 2 <b>(T2)</b>	16 <b>(16L)</b>	350 <b>(35)</b>	3000K <b>(30K)</b>	120-277 <b>(UNV)</b>	Arm Mount <b>(AM)</b>	Bronze <b>(BRZ)</b>	Bird Spikes <b>(BS)</b>
	Top 2 <b>(TP2)</b>	Type 3 <b>(T3)</b>	32 <b>(32L)</b>	530 <b>(53)</b>	4000K <b>(40K)</b>	347-480 <b>(HV)</b>		White <b>(WHT)</b>	Marine Grade Finish <b>(MGF)</b>
	Top 3 <b>(TP3)</b>	Type 4 <b>(T4)</b>	48 <b>(48L)</b>	700 <b>(7)</b>	5000K <b>(50K)</b>			Silver <b>(SVR)</b>	Photocell <b>(PC)</b> *Universal Voltage 120-277
California 1 25" Diameter <b>(CAL-1)</b> *64L Max	Shade 1 <b>(S1)</b>	Type 5 <b>(T5)</b>	64 <b>(64L)</b>					Surge Protector <b>(10K)</b>	
California 2 30" DIAMETER <b>(CAL-2)</b> *Fore 80L (Shade 6 Only)	Shade 2 <b>(S2)</b>		80 <b>(80L)</b>					House Side Shield <b>(HSS)</b>	
	Shade 4 <b>(S4)</b>						Black <b>(BLK)</b>		
	Shade 5 <b>(S5)</b>						Graphite <b>(GPH)</b>	FSP-211 w/ Motion Sensor (Universal Voltage)	
	Shade 6 <b>(S6)</b>						Grey <b>(GRY)</b>	FSP-8 (Height 8' + Below) <b>(FSP8)</b>	
	Shade 7 <b>(S7)</b>						Custom <b>(CUS)</b>	FSP-20 (Height 9' to 20') <b>(FSP20)</b>	
Shade 8 <b>(S8)</b>								FSP-40 (Height 21' to 40') <b>(FSP40)</b>	