



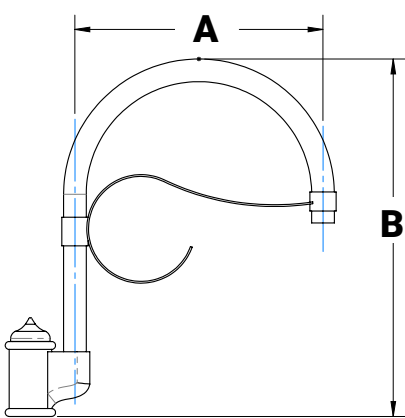
**A<sup>3</sup> Single**



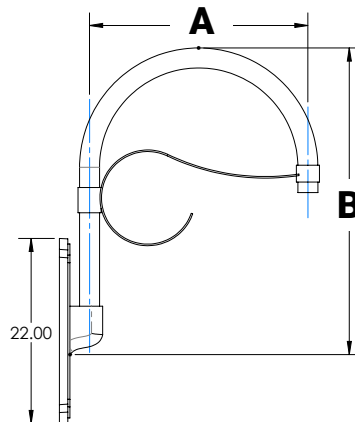
**A<sup>3</sup> Double <sup>180</sup>**

Architectural Arm 3 is constructed of extruded aluminum tubing. Integrates with poles or tenons of 3-1/2", 4", 4-1/2", or 5" OD and is secured with 3/8" stainless steel Allen set screws.

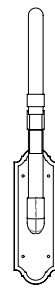
Contact NLS for custom configuration or others mounting options. Arms are designed, tooled, fabricated and assembled in the USA.



**A<sup>3</sup> Single**



**A<sup>3</sup>-WM Cast Wall Plate**



**A<sup>3</sup> Wall Mount**

MODEL	A	B	C	EPA SGL	EPA DBL	EPA WM
<b>A3-S</b>	17 in.	29 in.	1 7/8" Ø (1-1/2 in. SCH40)	.51	.85	.45
<b>A3-L</b>	26 in.	38 in.	1 7/8" Ø (1-1/2 in. SCH40)	.63	1.11	.67
<b>A3-XL</b>	26 in.	38 in.	2 3/8" Ø (2 in. SCH40)			

MODEL	ALUMINUM	STEEL
<b>A3-S</b>	19.40 lbs	56.51 lbs
<b>A3-L</b>	21.45 lbs	62.48 lbs
<b>A3-XL</b>		



Project Name:

Type:

# ARCHITECTURAL ARM 3 ORDERING GUIDE

Cat#	Mounting	Pole Diameter	Color
Architectural Arm 3 Small <b>(A3-S)</b>	Single <b>(SGL)</b>	3" Round OD <b>(3R)</b>	Bronze Textured <b>(BRZ)</b>
Architectural Arm 3 Large <b>(A3-L)</b>	Double 180° <b>(D180)</b>	4" Round OD <b>(4R)</b>	White Textured <b>(WHT)</b>
Architectural Arm 3 X-Large <b>(A3-XL)</b>	Wall Mount <b>(WM)</b>	4-1/2" Round OD <b>(412R)</b>	Smooth White Gloss <b>(SWT)</b>
		5" Round OD <b>(5R)</b>	Silver Metallic <b>(SVR)</b>
			Black Textured <b>(BLK)</b>
			Smooth Black Gloss <b>(SBK)</b>
			Graphite Textured <b>(GPH)</b>
			Grey Textured <b>(GRY)</b>
			Green Textured <b>(GRN)</b>
			Hunter Green Textured <b>(HGN)</b>
			Custom <b>(CS)</b>

Notes:



701 Kingshill Place, Carson, CA 90746  
Call Us Today (310) 341-2037

[nlsighting.com](http://nlsighting.com)