



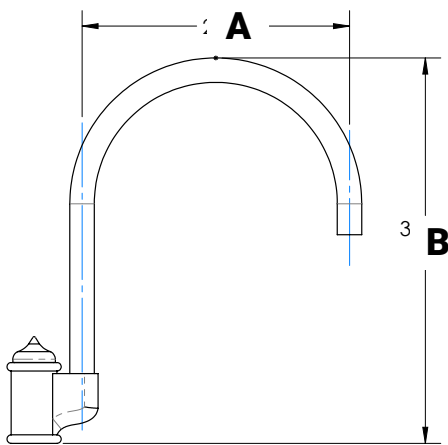
A² Single



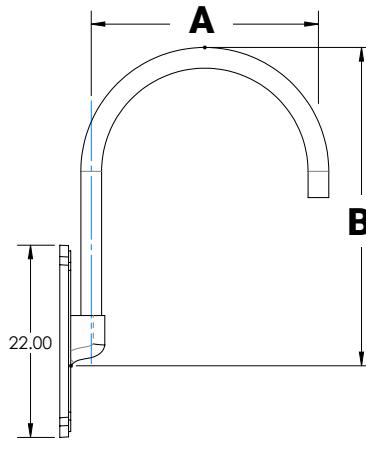
A² Double ¹⁸⁰

Architectural Arm 2 is constructed of extruded aluminum tubing. Integrates with poles or tenons of 3-1/2", 4", 4-1/2", or 5" OD and is secured with 3/8" stainless steel Allen set screws.

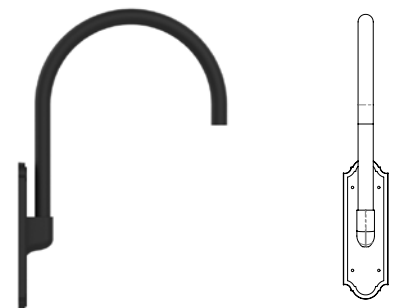
Contact NLS for custom configuration or others mounting options. Arms are designed, tooled, fabricated and assembled in the USA.



A² Single



A²-WM Cast Wall Plate



A² Wall Mount

MODEL	A	B	C	EPA SGL	EPA DBL	EPA WM
A2-S	17 in.	29 in.	1 7/8" Ø (1-1/2 in. SCH40)	.47	.80	.44
A2-L	26 in.	38 in.	1 7/8" Ø (1-1/2 in. SCH40)	.58	1.03	.56
A2-XL	26 in.	38 in.	2 3/8" Ø (2 in. SCH40)			

MODEL	ALUMINUM	STEEL
A2-S	12.24 lbs	35.65 lbs
A2-L	13.75 lbs	40.06 lbs
A2-XL		



Project Name:

Type:

ARCHITECTURAL ARM 2 ORDERING GUIDE

Cat#	Mounting	Pole Diameter	Color
Architectural Arm 2 Small (A2-S)	Single (SGL)	3" Round OD (3R)	Bronze Textured (BRZ)
Architectural Arm 2 Large (A2-L)	Double 180° (D180)	4" Round OD (4R)	White Textured (WHT)
Architectural Arm 2 X-Large (A2-XL)	Wall Mount (WM)	4-1/2" Round OD (412R)	Smooth White Gloss (SWT)
		5" Round OD (5R)	Silver Metallic (SVR)
			Black Textured (BLK)
			Smooth Black Gloss (SBK)
			Graphite Textured (GPH)
			Grey Textured (GRY)
			Green Textured (GRN)
			Hunter Green Textured (HGN)
			Custom (CS)

Notes:



701 Kingshill Place, Carson, CA 90746
Call Us Today (310) 341-2037

nlsighting.com