



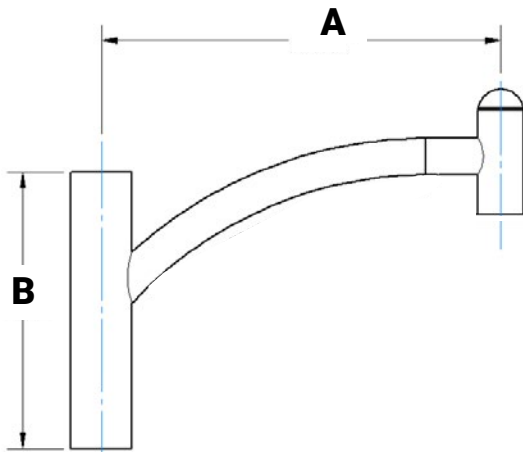
A<sup>14</sup> Single



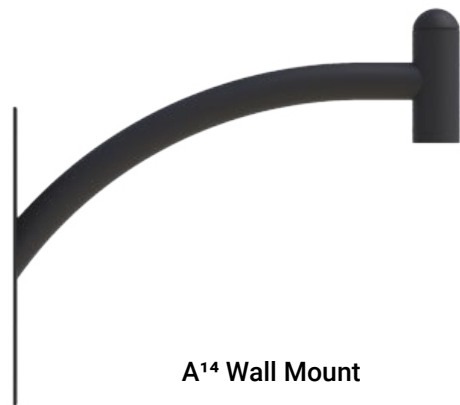
A<sup>14</sup> Double 180°

Architectural Arm 14 is constructed of extruded aluminum tubing and available for both post top and pendant mount luminaires. Integrates with poles or tenons of 3-1/2", 4", 4-1/2", or 5" OD and is secured with 3/8" stainless steel Allen set screws.

Contact NLS for custom configuration or others mounting options. Arms are designed, tooled, fabricated and assembled in the USA.



MODEL	A	B	EPA SGL	EPA DBL	EPA WM
A14-S	17 in.	15 in.	.39	.59	.22
A14-L	26 in.	18 in.	.51	.78	-



A<sup>14</sup> Wall Mount

MODEL	ALUMINUM	STEEL
A14-S	6.60 lbs	19.22 lbs
A14-L	8.03 lbs	23.40 lbs



Project Name:

Type:

## ARCHITECTURAL ARM 14 ORDERING GUIDE

Cat#	Mounting	Pole Diameter	Color
Architectural Arm 14 Small <b>(A14-S)</b>	Single <b>(SGL)</b>	3-1/2" Round OD <b>(312R)</b>	Bronze Textured <b>(BRZ)</b>
Architectural Arm 14 Large <b>(A14-L)</b>	Double 180° <b>(D180)</b>	4" Round OD <b>(4R)</b>	White Textured <b>(WHT)</b>
	Wall Mount <b>(WM)</b>	4-1/2" Round OD <b>(412R)</b>	Smooth White Gloss <b>(SWT)</b>
		5" Round OD <b>(5R)</b>	Silver Metallic <b>(SVR)</b>
			Black Textured <b>(BLK)</b>
			Smooth Black Gloss <b>(SBK)</b>
			Graphite Textured <b>(GPH)</b>
			Grey Textured <b>(GRY)</b>
			Green Textured <b>(GRN)</b>
			Hunter Green Textured <b>(HGN)</b>
			Custom <b>(CS)</b>

Notes:



701 Kingshill Place, Carson, CA 90746  
Call Us Today (310) 341-2037

[nlsighting.com](http://nlsighting.com)