



A¹³ Single



A¹³ Wall Mount

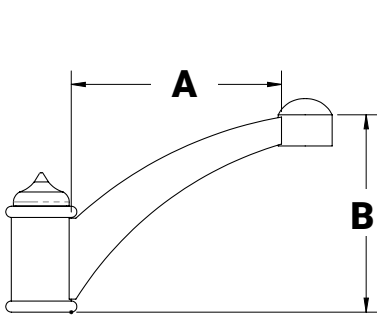
Contact Factory for inverted fixture mounting requests



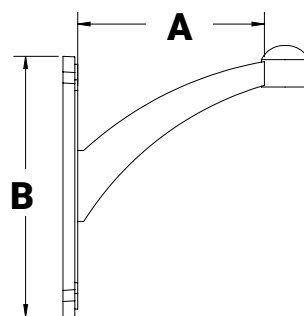
A¹³ Double 180°

Architectural Arm 13 is constructed of extruded aluminum tubing and available for both post top and pendant mount luminaires. Integrates with poles or tenons of 3-1/2", 4", 4-1/2", or 5" OD and is secured with 3/8" stainless steel Allen set screws.

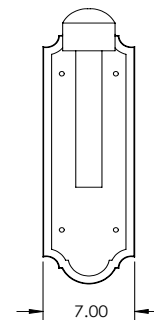
Contact NLS for custom configuration or other mounting options. Designed, tooled, fabricated and assembled in the USA.



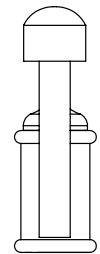
A¹³ Single



A¹³-WM



A¹³-WM



A¹³

MODEL	A	B	EPA SGL	EPA DBL	EPA WM
A13-L	16 in.	12in.	.87	1.39	-

MODEL	ALUMINUM	STEEL
A13-L	8.45 lbs	24.62 lbs



Project Name:

Type:

ARCHITECTURAL ARM 13 ORDERING GUIDE

Cat#	Mounting	Pole Diameter	Color
Architectural Arm 13 Large (A13-L)	Single (SGL)	3-1/2" Round OD (312R)	Bronze Textured (BRZ)
	Double 180° (D180)	4" Round OD (4R)	White Textured (WHT)
	Wall Mount (WM)	4-1/2" Round OD (412R)	Smooth White Gloss (SWT)
		5" Round OD (5R)	Silver Metallic (SVR)
			Black Textured (BLK)
			Smooth Black Gloss (SBK)
			Graphite Textured (GPH)
			Grey Textured (GRY)
			Green Textured (GRN)
			Hunter Green Textured (HGN)
			Custom (CS)

Notes:



701 Kingshill Place, Carson, CA 90746
Call Us Today (310) 341-2037

nslighting.com