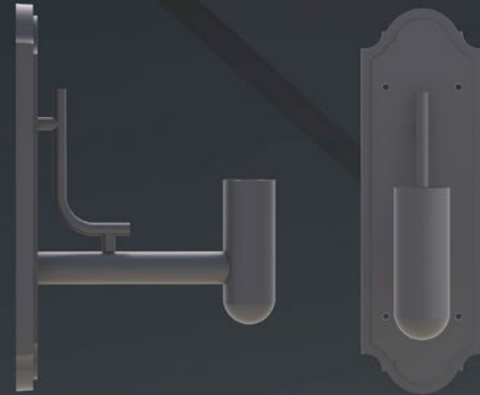




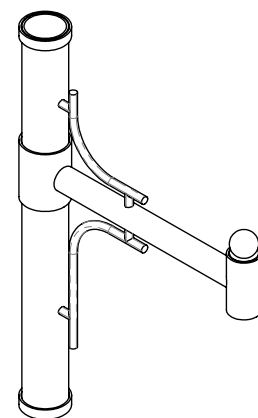
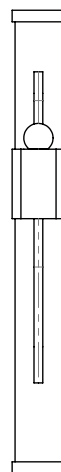
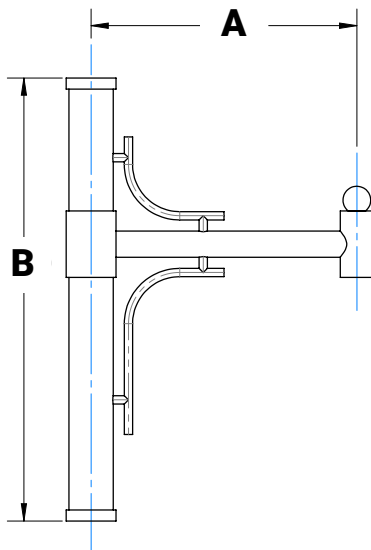
A¹¹ Single



A¹¹ Wall Mount Cast Wall Plate

Architectural Arm 11 is constructed of extruded aluminum tubing and available for both post top and pendant mount luminaires. Integrates with poles or tenons of 3-1/2", 4", 4-1/2", or 5" OD and is secured with 3/8" stainless steel Allen set screws.

Contact NLS for custom configuration or other mounting options. Designed, tooled, fabricated and assembled in the USA.



MODEL	A	B	EPA SGL	EPA DBL	EPA WM
A11	24 in.	40 in.	1.00	1.33	-

MODEL	ALUMINUM	STEEL
A11	20.18 lbs	58.78 lbs



Project Name:

Type:

ARCHITECTURAL ARM 11 ORDERING GUIDE

Cat#	Mounting	Pole Diameter	Color
Architectural Arm 11 (A11)	Single (SGL)	3-1/2" Round OD (312R)	Bronze Textured (BRZ)
	Double 180° (D180)	4" Round OD (4R)	White Textured (WHT)
	Wall Mount (WM)	4-1/2" Round OD (412R)	Smooth White Gloss (SWT)
		5" Round OD (5R)	Silver Metallic (SVR)
			Black Textured (BLK)
			Smooth Black Gloss (SBK)
			Graphite Textured (GPH)
			Grey Textured (GRY)
			Green Textured (GRN)
			Hunter Green Textured (HGN)
			Custom (CS)

Notes:



701 Kingshill Place, Carson, CA 90746
Call Us Today (310) 341-2037

nslighting.com