

The Vista Bollard is a combination of security, beauty and vandal resistance that blends beautifully into any landscape environment.

The LED Type 5 light distribution casts a beautiful combination of uniform and direct or indirect illumination for any pathway. The patent pending Star Power™ reflector system is featured in the Vista Bollard to perform at excellent light levels, while saving energy. Kelvin temperature offering of (warm) 3000, (neutral) 4000 and (cool) 5500.

Built to last, the Vista Bollard is constructed a strong 3/4" thick by 8" OD cast aluminum baseplate, 5 millimeter rich-textured powder coating finish and stainless steel hardware.

Conforms to the strictest Made in America standards—designed, tooled, fabricated and assembled in the USA.



STAR POWER™ OPTICAL SYSTEM

The Star Power™ reflector is an excellent system which provides great value and performance.

Project Name: _____ Type: _____

--	--	--	--	--	--	--	--	--

Cat #	Length	Bar Length	Light Dist.	# LEDs	Milliamps	Kelvin	Volts	Color
Vista Bollard Round 6" (VBR-6)	30" (3)	3" Tall Bars (3TB)	Type 5 (T5)	4 (4L)	350 (35)	3000K (30K)	120-277 (UNV)	Bronze (BRZ)
	40" (4)	6" Tall Bars (6TB)		8 (8L)	530 (53)			4000K (40K)
					700 (7)	5000K (50K)		Silver (SVR)
								Hunter Green (HGN)
								Black (BLK)
						Graphite (GPH)		
						Grey (GRY)		
						Custom (CS)		

PRODUCT SPECIFICATIONS

Housing: Aluminum Housing

Cap: Spun Aluminum.

LED: Luxeon M Series by Lumileds

Optics: Star Power Reflector System; Type 5

Electrical: Conforms to UL 1598 Standards

Driver: By Philips Advance

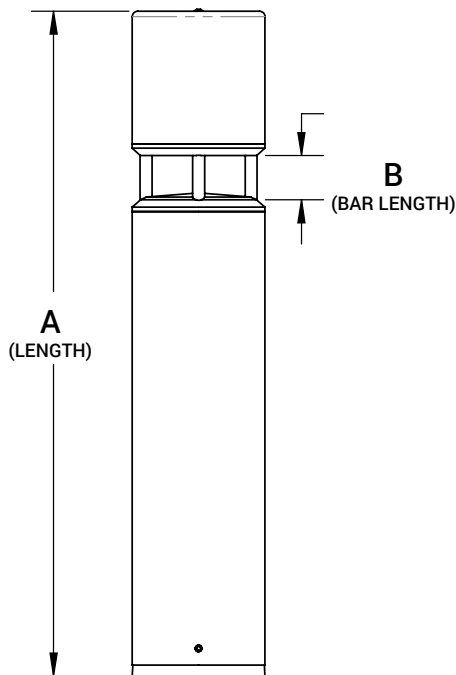
Kelvin: 3000, 4000, or 5000

Finish: 5 Millimeters Powder Coat

Hardware: Stainless Steel

Warranty: Standard Warranty is 5 years for Driver and LEDs

PRODUCT DIMENSIONS



DIMENSION	VISTA ROUND 6"
A	30", or 40"
B	3" or 6"

