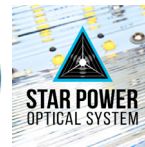


The Hermosa 66 Watts LED Wall Pack is California Title 24 Compliant. Each model comes with photocell. Recommended replacement wattage up to 150 watts Metal Halide. Clear lens is standard.

**The Hermosa is the Best Value Solid State Outdoor Lighting Solution Today**

- UL Listed for Wet Location
- Tempered Borosilicate Glass Lens
- High Quality Outdoor Powder Coat Finish
- Minimum Start Temperature -40° F
- Weather Resistant Silicon Gasket
- Independent Photometric Testing
- 5 Year Full Fixture or 483,000 Hour Life\*
- Title 24 Compliant
- Die Cast Aluminum Housing
- IP 66 Rated
- Suitable for use at 40° C Ambient Temperature



**STAR POWER™ OPTICAL SYSTEM**

The Star Power™ reflector is an excellent system which provides great value and performance.

**LED WATTAGE CHART**



	<b>16L</b>	<b>32L</b>
<b>530 milliamps</b>	28w	54w
<b>700 milliamps</b>	36w	71w
<b>1050 milliamps</b>	56w	-

Project Name:

Type:

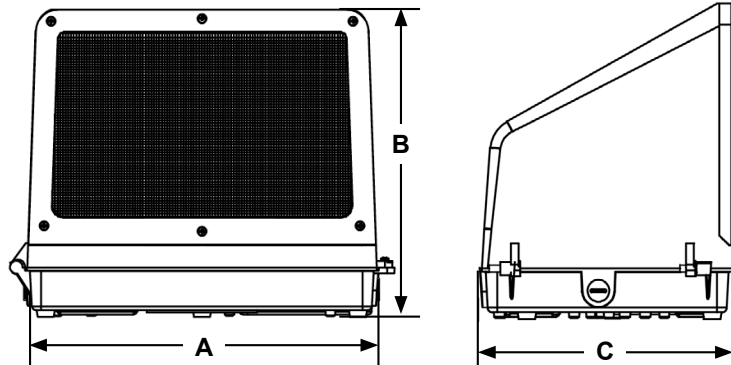
Cat #	Light Dist	# of LEDs	Milliamps	Kelvin	Volts	Mounting	Color	Options
Hermosa 1 <b>(HRM-1)</b>	Type 2 <b>(T2)</b>	16 <b>(16L)</b>	530 <b>(53)</b>	3000K <b>(30K)</b>	120-277 <b>(UNV)</b>	Wall Mount <b>(WM)</b>	Bronze <b>(BRZ)</b>	Surge Protector <b>(10K)</b>
	Type 4 <b>(T4)</b>	32 <b>(32L)</b>	700 <b>(7)</b>	4000K <b>(40K)</b>			White <b>(WHT)</b>	Polycarbonate Lens <b>(PL)</b>
			1050 <b>(1)</b>	5000K <b>(50K)</b>			Silver <b>(SVR)</b>	Dual Circuit <b>(DC)</b>
			<i>*16L Only</i>			Hunter Green <b>(HGN)</b>	Photo Cell <b>(PC)</b> <i>* Universal Voltage 120-277</i>	
						Black <b>(BLK)</b>	FSP-211 with Motion Sensor (UNV Voltage) <b>(FSP-8)</b> <i>*For 8' + Below</i> <b>(FSP-20)</b> <i>*For 9'-20' Heights</i>	
						Graphite <b>(GPH)</b>	Emergency Battery Back-Up <b>(EB)</b>	
						Grey <b>(GRY)</b>	Cold Weather Battery Back-Up <b>(CWB)</b>	
						Custom <b>(CS)</b>		

## PRODUCT SPECIFICATIONS

**Housing:** Die Cast Aluminum  
**LED:** Lumileds Luxeon MX. CRI 70  
**Optics:** Star Power T2, T4  
**Watts:** 28-71  
**L90:** 70,000  
**Listings:** UL 1598 Listed , IP65 Rated 

**Driver:** 0-10V Dimming driver as standard by Philips Advance THD @ Max Load < 15%  
 Power Factor @ Max Load < 0.95  
**Kelvin:** 3000, 4000, or 5000  
**Finish:** 5 mils Powder Coat  
**Hardware:** Stainless Steel  
**Warranty:** Standard Warranty is 5 years for Driver and LEDs

## PRODUCT DIMENSIONS

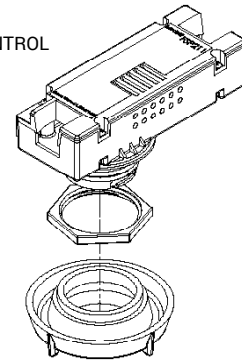


DIMENSION	HRM-1
A	14.25 in
B	12.00 in
C	9.00 in

HERMOSA - LUMEN DATA CHART

PART NUMBER	T2 Lumens	T2 Lm/W	T4 Lumens	T4 Lm/W	Watts
HRM-1-16L-53-30K	2184	78	2296	82	28
HRM-1-16L-53-40K	2352	84	2408	86	28
HRM-1-16L-53-50K	2492	89	2520	90	28
HRM-1-16L-7-30K	2808	78	2952	82	36
HRM-1-16L-7-40K	3024	84	3096	86	36
HRM-1-16L-7-50K	3204	89	3240	90	36
HRM-1-16L-1-30K	4368	78	4704	84	56
HRM-1-16L-1-40K	4704	84	4928	88	56
HRM-1-16L-1-50K	4984	89	5208	93	56
HRM-1-32L-53-30K	4212	78	4536	84	54
HRM-1-32L-53-40K	4536	84	4752	88	54
HRM-1-32L-53-50K	4806	89	5022	93	54
HRM-1-32L-7-30K	5538	78	5964	84	71
HRM-1-32L-7-40K	5964	84	6248	88	71
HRM-1-32L-7-50K	6319	89	6603	93	71

OPTIONAL CONTROL



**FSP-211 (FSP-X)**—Passive infrared (PIR) sensor providing multi-level control based on motion/daylight contribution.

- All control parameters adjustable via wireless configuration remote storing and transmitting sensor profiles.
- FSP-8 mounting heights 8 feet and below
- FSP-20 mounting heights 9-20 feet
- Includes 5 dimming event cycles, 0-10V dimming with motion sensing, reprogrammable in the field.

HERMOSA EMERGENCY BATTERY- LUMEN DATA CHART

PART NUMBER	T2 Lumens	T2 Lm/W	T4 Lumens	T4 Lm/W	Watts
HRM-1-16L-24-30K	1950	78	2050	82	25
HRM-1-16L-24-40K	2100	84	2150	86	25
HRM-1-16L-24-50K	2225	89	2250	90	25

\* 244mA with Emergency Battery

\* Not all variation of the product are DLC listed.



DesignLights Consortium (DLC) qualified Product. Some configurations of this product family may not be DesignLights Consortium (DLC) listed, please refer to the DLC qualified products list to confirm listed configurations. <http://www.designlights.org>



701 Kingshill Place, Carson, CA 90746  
 Call Us Today (310) 341-2037

[nslighting.com](http://nslighting.com)