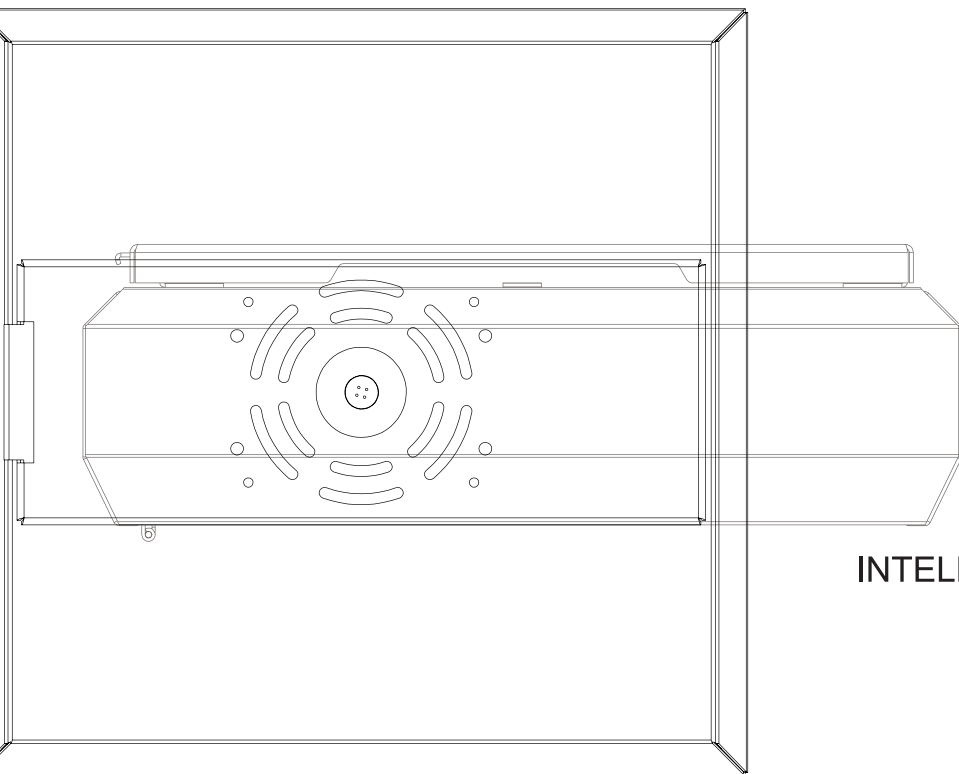


SURFACE + INTERIOR



GUARDIAN | LED



INTELLIGENT LIGHT + PERFORMANCE™
nslighting.com

GUARDIAN LED



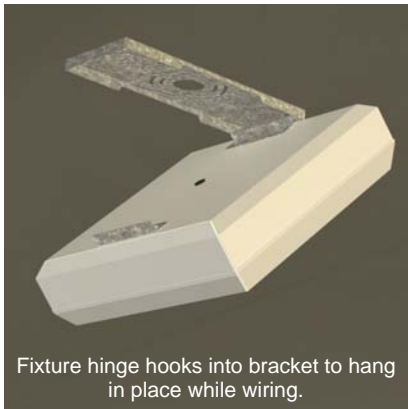
STAR POWER REFLECTOR



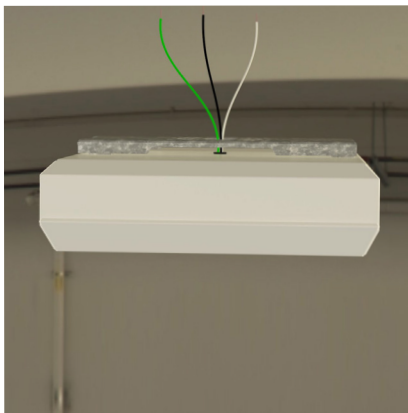
The Star Power Reflector is an excellent system, providing great value and performance.



Easy to Install Ceiling Mount bracket



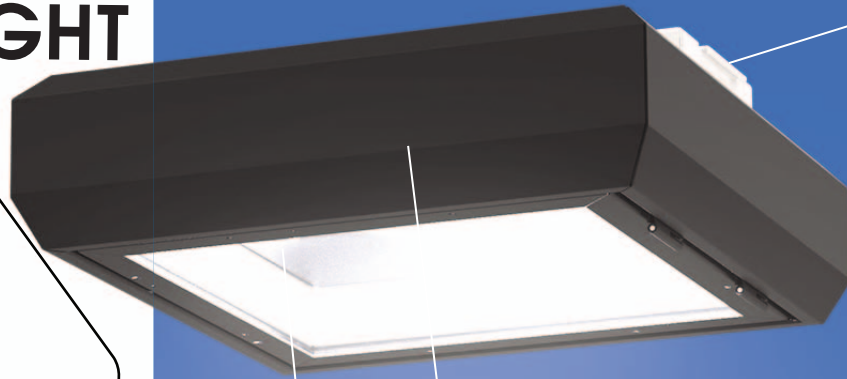
Fixture hinge hooks into bracket to hang in place while wiring.



INTELLIGENT

- Designed to replace existing fixtures saving 75% energy while exceeding IES minimum foot candle levels—improving light distribution and uniformity
- Clear tempered safety glass lens with silicone gasket that improves fixture reliability
- Acrylic linear diffuser is optional to increase vertical foot candles and soften light output
- Available from 33 to 125 watts
- Throws light up to five mounting heights at asymmetrical or symmetrical distributions
- Rapid mounting system for quick installation
- Patent-pending Star Power reflector system made of diffused 95 percent reflective low-glare optic material
- Conforms to the strictest made in the USA standards—designed, tooled, fabricated and assembled in the USA
- Kelvin temperature offering of (neutral) 4000 and (cool) 5000 in Type 5 optic
- Philips Advance 0-10V dimmable driver technology is warranted 5 years

LIGHT

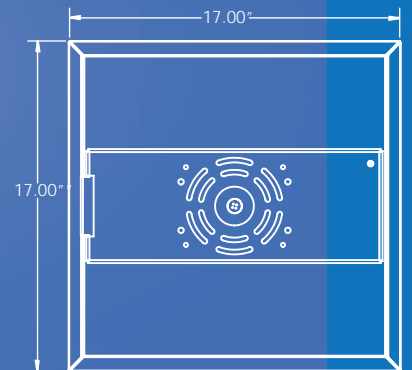


Rapid Mounting Installation



Housing: Cast Aluminum
Finish: 5 Millimeters Powder Coat

LED: Luxeon M Series by Lumileds
Optics: Star Power reflector system
Reflectors: Type 5 Optics
Watts: 33-125 Watts
Kelvin: 4000, or 5000



PHOTOMETRICS / APPLICATIONS

PHOTOMETRIC FILENAME:

GRD-T5-40L-53-40K-10'
MTG.IES

DESCRIPTIVE INFORMATION

(From Photometric File):

NLS LIGHTING LLC
GRD-T5-40L-53-40K-UNV-CM
-WHT
17"L. X 17"W. X 5.75"H. LED
PARKING GARAGE
LUMINAIRE

+ PERFORMANCE

TEMPLATE SPECIFICATION

Horizontal Footcandles

Scale: 1 Inch = 10 Ft.

Light Loss Factor = 1.00

Lumens Per Lamp = N.A.

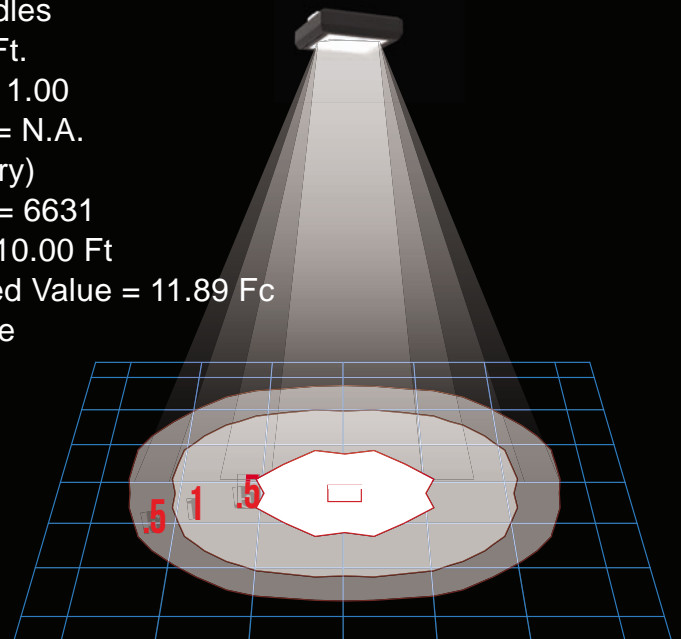
(absolute photometry)

Luminaire Lumens = 6631

Mounting Height = 10.00 Ft

Maximum Calculated Value = 11.89 Fc

Arrangement: Single





NLS Lighting, LLC | 701 Kingshill Place, Carson, CA 90746
Ph (310) 341.2037 | sales@nslighting.com

LUMEN DATA

GUARDIAN - LUMEN DATA CHART			
PART NUMBER	Scaled Initial Light Output (Lumens)	Scaled Luminaire Efficacy (Lm/W)	Scaled Input Power (W)
GRD-1-T5-20L-53-40K	3366	102	33
GRD-1-T5-20L-53-50K	3531	107	33
GRD-1-T5-20L-7-40K	4092	93	44
GRD-1-T5-20L-7-50K	4268	97	44
GRD-1-T5-28L-53-40K	4545	101	45
GRD-1-T5-28L-53-50K	4770	106	45
GRD-1-T5-28L-7-40K	5520	92	60
GRD-1-T5-28L-7-50K	5760	96	60
GRD-1-T5-40L-53-40K	6500	100	65
GRD-1-T5-40L-53-50K	6825	105	65
GRD-1-T5-40L-7-40K	7553	91	83
GRD-1-T5-40L-7-50K	7885	95	83
GRD-1-T5-60L-53-40K	9405	99	95
GRD-1-T5-60L-53-50K	10638	112	95
GRD-1-T5-60L-7-40K	11250	90	125
GRD-1-T5-60L-7-50K	11750	94	125

LED WATTAGE CHART				
	20L	28L	40L	60L
530 milliamps	33w	45w	65w	95w
700 milliamps	44w	60w	83w	125w

ORDERING GUIDE

CAT #	TYPE	# OF LEDS	MILLIAMPS	KELVIN	VOLTS	MOUNTING	COLOR	OPTIONS
GUARDIAN (GRD)	TYPE 5 (T5)	20 (20L)	530 (53)	4000K (40K)	120-277 (UNV)	CEILING MOUNT (CM)	BRONZE (BRZ)	MOTION SENSOR (MS)
		28 (28L)	700 (7)	5000K (50K)		PENDANT MOUNT 12" (PM12)	WHITE (WHT)	SURGE PROTECTOR (10K)
		40 (40L)				PENDANT MOUNT 24" (PM24)	SILVER (SVR)	DUAL CIRCUIT (DC)
		60 (60L)				PENDANT MOUNT CUSTOM (PMXX)	HUNTER GREEN (HGN)	ACRYLIC LINEAR LENS (AL)
							BLACK (BLK)	POLYCARBONATE LENS (PL)
							GREY (GRY)	EMERGENCY BATTERY BACK-UP *100-700MA OPTIONS (EB)
							GRAPHITE (GPH)	FSP-211 W/ MOTION SENSOR (UNV VOLTAGE)
								FSP-8 *Height 8' + Below (FSP8)
								FSP-20 *Height 9' to 20' (FSP20)
								FSP-40 *Height 21' to 40' (FSP40)