



ENV-20



ENV-40



ENV-78



ENV-114



ENV-152

- Die-cast Aluminum with tempered glass lens, utilizing stainless steel hardware.
- Citizen® COB LEDs and YG® driver technology
- Dimming option available
- Precision die cast
- IP66 rated fixture for outdoor use
- Chip and fade resistant powder coat finish in any color
- Industrial grade, Standard button Photocell
- 6X6 beam angle standard
- Multiple mounting configurations to fit any application

Project Name

Type:

Cat #	Light Dist.	Kelvin	Volts	Mounting	Color	Color
Eco NV 20 20 Watts—2,181 Lumens (ENV-20)	Nema 3 Narrow Beam (N3)	4000K (40K)	120-277 (UNV)	Knuckle Mount (KM) <small>*ENV20, ENV40 — 1/4" NPT *ENV78, ENV114, ENV152 — 2 3/8" Knuckle</small>	Bronze (BRZ)	Front Side Shield (FSS)
Eco NV 40 40 Watts—4,733 Lumens (ENV-40)	Nema 6 Wide Beam (N6)					
Eco NV 78 78 Watts—8,006 Lumens (ENV-78)						
Eco NV 114 114 Watts—11,717 Lumens (ENV-114)						
Eco NV 152 152 Watts—15,514 Lumens (ENV-152)						

PRODUCT SPECIFICATIONS

Housing: Die Cast Aluminum with tempered lens

LED: Citizen® COB LEDs

Light Distribution: N3 (narrow beam), N6 (wide beam)

Watts: 20, 40, 78, 114 and 152

Electrical: UL 1598 Listed 

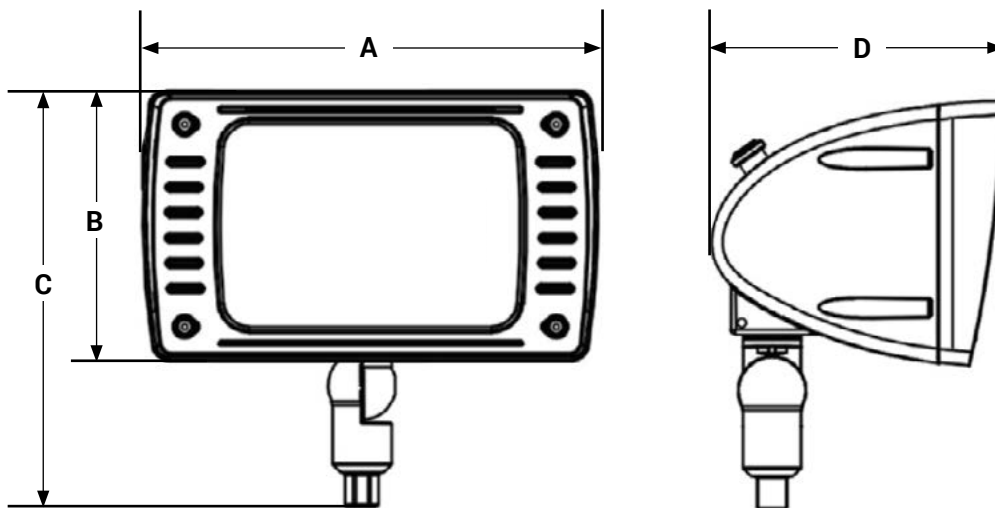
Finish: Chip and fade resistant powder coat finish

Photocell: Industrial grade; Standard button

Rated: IP66

PRODUCT DIMENSIONS

DIMENSION	ENV20	ENV40	ENV78	ENV114	ENV152
A	7.83 in	10.62 in	12.08 in	15.71 in.	15.71 in.
B	5.93 in	6.31 in	7.48 in	9.49 in.	9.49 in.
C	8.11 in	9.716 in	11.21 in	10.00 in.	10.00 in.
D	6.70 in	6.90in	8.12 in	-	-
Weight	6.33 lbs.	8.81 lbs.	17.62 lbs.	26.43 lbs.	26.43 lbs.



Front Side Shield

This 3-sided piece shields the sides and front of the luminaire, concentrating the spread of the light beam.



DesignLights Consortium (DLC) qualified Product. Some configurations of this product family may not be DesignLights Consortium (DLC) listed, please refer to the DLC qualified products list to confirm listed configurations. <http://www.designlights.org>