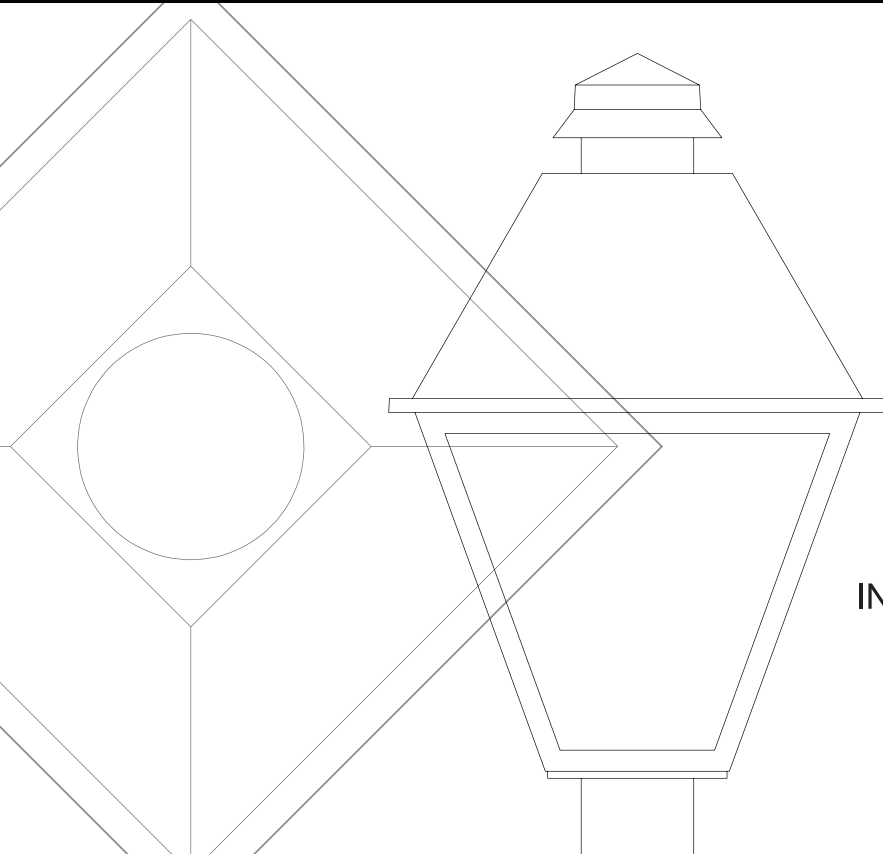


ARCHITECTURAL



CLASSIC | LED



INTELLIGENT LIGHT + PERFORMANCE™
nlsighting.com

CLASSIC LED



STAR POWER REFLECTOR



The Star Power Reflector is an excellent system, providing great value and performance.

INTELLIGENT

- Blends traditional design with modern LED + optical technology
- Able to provide illumination at 70% energy savings compared to previous technology
- Virtually maintenance free with the LEDs lasting up to 60,000 hours
- Patent-pending Star Power reflector system made of diffused 95 percent reflective low-glare optic material
- Uniform illumination up to five mounting heights
- Available from 22-75 watts in (warm) 3000, (neutral) 4000 and (cool) 5000 Kelvin temperatures
- Neighborhood friendly—full Cutoff Dark Sky luminaire design with recessed LEDs to eliminate direct glare
- Standard flat glass lens inside the top of fixture with open sides
- Opal and Clear side lenses optional
- Philips Advance driver technology warranted 5 years
- Conforms to the strictest Made in America standards—designed, tooled, fabricated and assembled in the USA

LIGHT

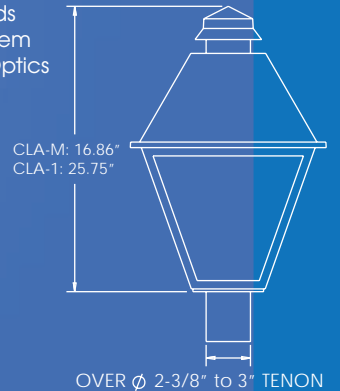
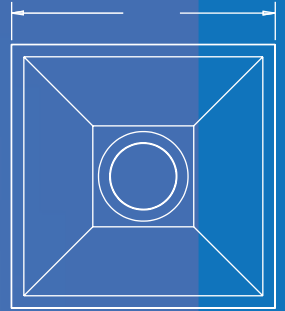


Housing: Cast Aluminum
Finish: 5 Millimeters Powder Coat

LED: Luxeon M Series by Lumileds
Optics: Star Power reflector system
Reflectors: Type 3 and Type 5 Optics
Watts: 22-75 Watts
Kelvin: 3000, 4000, or 5000

Tenon: Over 2-3/8" OD through 3-1/2" OD

CLA-M: 11.22" SQ
CLA-1: 17-5/8" SQ.



CLA-M: 16.86"
CLA-1: 25.75"

OVER ϕ 2-3/8" to 3" TENON

+ PERFORMANCE

PHOTOMETRICS / APPLICATIONS

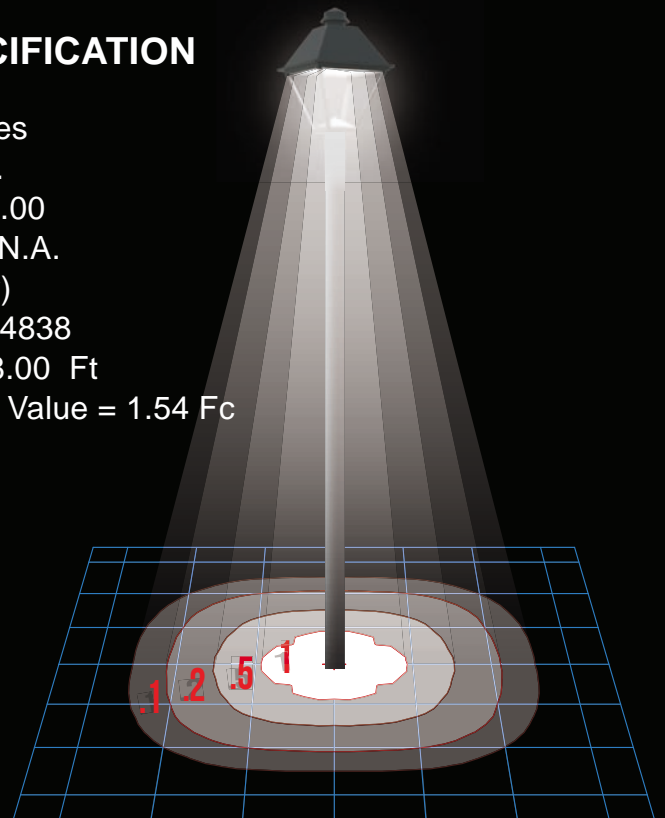
PHOTOMETRIC FILE NAME:
CLA-1-T5-20L-7-50K.IES

DESCRIPTIVE INFORMATION

(From Photometric File):
NLS LIGHTING LLC
CLA-1-T5-20L-7-50K
CLASSIC LANTERN 17 5/8"W.
X 25 3/4"H. LED LUMINAIRE
SEMI-SPECULAR REFLECTOR
WITH CLEAR LENS

TEMPLATE SPECIFICATION

Horizontal Footcandles
Scale: 1 Inch = 20 Ft.
Light Loss Factor = 1.00
Lumens Per Lamp = N.A.
(absolute photometry)
Luminaire Lumens = 4838
Mounting Height = 18.00 Ft
Maximum Calculated Value = 1.54 Fc
Arrangement: Single





NLS Lighting, LLC | 701 Kingshill Place, Carson, CA 90746
Ph (310) 341.2037 | sales@nslighting.com

LUMEN DATA

CLASSIC - LUMEN DATA CHART						
PART NUMBER	T3 LUMENS	Lumens Per Watt L/W	T5 LUMENS	Lumens Per Watt L/W	Watts	L70 LIFE
CLA-1-XX-20L-35-30K	1958	89	2002	91	22	>60,000
CLA-1-XX-20L-35-40K	2090	95	2156	98	22	>60,000
CLA-1-XX-20L-35-50K	2222	101	2288	104	22	>60,000
CLA-1-XX-20L-53-30K	3067	88	3136	90	35	>60,000
CLA-1-XX-20L-53-40K	3274	94	3377	96	35	>60,000
CLA-1-XX-20L-53-50K	3481	99	3584	102	35	>60,000
CLA-1-XX-20L-7-30K	4333	87	4487	90	50	>60,000
CLA-1-XX-20L-7-40K	4625	93	4814	96	50	>60,000
CLA-1-XX-20L-7-50K	4917	98	5063	101	50	>60,000
CLA-1-XX-20L-1-30K	5516	85	5712	88	65	>60,000
CLA-1-XX-20L-1-40K	5888	91	6128	94	65	>60,000
CLA-1-XX-20L-1-50K	6260	96	6446	99	65	>60,000
CLA-1-XX-36L-7-30K	6500	87	6731	90	75	>60,000
CLA-1-XX-36L-7-40K	6938	93	7221	96	75	>60,000
CLA-1-XX-36L-7-50K	7376	98	7595	101	75	>60,000

LED WATTAGE CHART				
	350 mA	530 mA	700 mA	1050 mA
20L	22w	35w	50w	65w
36L	-	-	75w	-

EPA	
SINGLE	3.9

ORDERING GUIDE

CAT #	TYPE	# OF LEDS	MILLIAMPS	KELVIN	VOLTS	MOUNTING	COLOR	OPTIONS
CLASSIC MINI (CLA-M) * 20L MAX	TYPE 3 (T3)	20 (20L)	350 (35)	3000K (30K)	120-277 (UNV)	POST TOP OVER 2-3/8 OD (T2R)	BRONZE (BRZ)	MARINE GRADE FINISH (MGF)
	TYPE 5 (T5)	36 (36L)	530 (53)	4000K (40K)		POST TOP OVER 3 OD (T3R)	WHITE (WHT)	PHOTOCELL (PC) <i>*Universal Voltage 120-277</i>
CLASSIC 1 (CLA-1)			700 (7)	5000K (50K)		PENDANT MOUNT (Comes with 1/2" Coupling)	SILVER (SVR)	SURGE PROTECTOR (10K)
			1050 (1)			1' (PM1)	BLACK (BLK)	HOUSE SIDE SHIELD (HSS)
			* 20L ONLY			2' (PM2) 3' (PM3) 4' (PM4) 5' (PM5)	HUNTER GREEN (HGN)	FRONT SIDE SHIELD (FSS)
							GRAPHITE (GPH)	OPAL SIDE LENS (OSL)
							GREY (GRY)	CLEAR SIDE LENS (CSL)
								FROSTED SIDE LENS (FSL)

Visit nslighting.com for more products.