

The modern Nova 2, DarkSky friendly full cutoff LED post top luminaire utilizes NLS' patent pending *Star Power* Optical System to distribute light evenly. The Nova 2 utilizes the most advanced LED technology with the highest lumen per watt LEDs in the market place. Available Kelvin temperatures of 3000, 4000 and 5000.

The Nova 2 offers a collar design that makes the perfect complement to any retail, high-end commercial project, government icon, theater, or walkway project. Wattage offerings begin from 18 to 137. The standard warranty is five year for LEDs and drivers.



STAR POWER™ OPTICAL SYSTEM

The Star Power™ reflector is an excellent system which provides great value and performance.

LED WATTAGE CHART

	16L	32L	48L	64L
350 milliamps	18w	33w	51w	66w
530 milliamps	28w	54w	80w	102w
700 milliamps	36w	71w	104w	137w

Project Name:

Type:

Cat #	Light Dist.	No of LEDs	Milliamps	Kelvin	Volts	Mounting	Color	Options
Nova 2 (NOV-2)	Type 2 (T2)	16 (16L)	350 (35)	3000 (30K)	120-277 (UNV)	Post Top Over 2-3/8 OD (PT238)	Bronze (BRZ)	Marine Grade Finish (MGF)
	Type 3 (T3)	32 (32L)	530 (53)	4000 (40K)	347-480 (HV)	Post Top Over 3 OD (PT3)	White (WHT)	Photocell (PC)
	Type 4 (T4)	48 (48L)	700 (7)	5000 (50K)	Hunter Green (HGN)		Surge Protector (10K)	
	Type 5 (T5)	64 (64L)			Black (BLK)		FSP-211 with Motion Sensor (Universal Voltage) (FSP-8) *For 8' + Below (FSP-20) *For 9' to 20' (FSP-40) *For 21' to 40'	
							Graphite (GPH)	
							Grey (GRY)	
							Custom (CS)	

PRODUCT SPECIFICATIONS

Housing: Low Profile Cast and Spun Aluminum Housing and Frame.

LED: Luxeon M Series by Lumileds

Optics: Star Power; Type 2, 3, 4 and 5

Watts: 18-137

L70 Depreciation: 483,000 Hours (@77°F/ 25°C)

Electrical: Conforms to UL 1598 Standards

Driver: 0-10V Dimmable driver by Philips Advance

Kelvin: 3000, 4000, or 5000

Finish: 5 mils Powder Coat

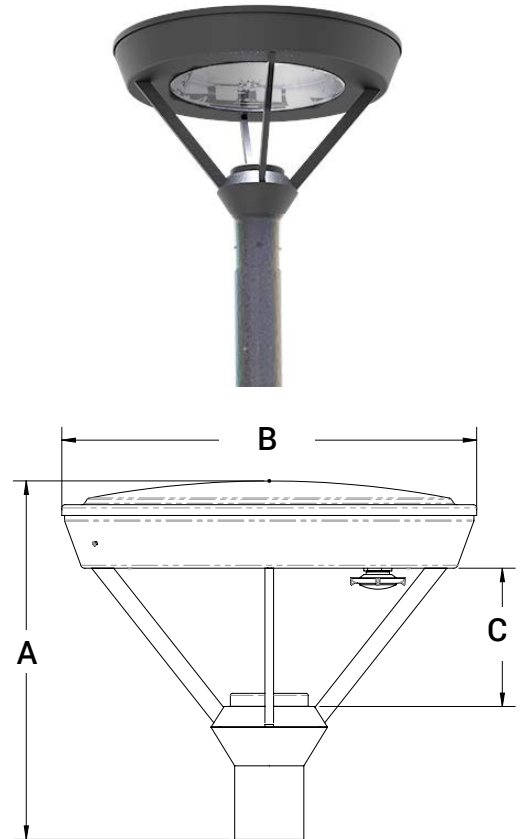
Hardware: Stainless Steel

Warranty: Standard Warranty is 5 years for Driver and LEDs

PRODUCT DIMENSIONS

NOVA 2 - LUMEN DATA CHART

PART NUMBER	T2 OPTIC	Lm/W	T3 OPTIC	Lm/W	T4 OPTIC	Lm/W	T5 OPTIC	Lm/W	WATTS
NOV-2-16L-35-30K	1818	101	1854	103	1908	106	1836	102	18
NOV-2-16L-35-40K	1890	105	1926	107	1980	110	1908	106	18
NOV-2-16L-35-50K	1962	109	1998	111	2052	114	1980	110	18
NOV-2-16L-53-30K	2828	101	2884	103	2968	106	2856	102	28
NOV-2-16L-53-40K	2940	105	2996	107	3080	110	2968	106	28
NOV-2-16L-53-50K	3052	109	3108	111	3192	114	3080	110	28
NOV-2-16L-7-30K	3636	101	3708	103	3816	106	3672	102	36
NOV-2-16L-7-40K	3780	105	3852	107	3960	110	3816	106	36
NOV-2-16L-7-50K	3924	109	3996	111	4104	114	3960	110	36
NOV-2-32L-35-30K	3333	101	3399	103	3498	106	3366	102	33
NOV-2-32L-35-40K	3465	105	3531	107	3630	110	3498	106	33
NOV-2-32L-35-50K	3597	109	3663	111	3762	114	3630	110	33
NOV-2-32L-53-30K	5454	101	5562	103	5724	106	5508	102	54
NOV-2-32L-53-40K	5670	105	5778	107	5940	110	5755	106	54
NOV-2-32L-53-50K	5886	109	5994	111	6156	114	5940	110	54
NOV-2-32L-7-30K	7171	101	7313	103	7526	106	7242	102	71
NOV-2-32L-7-40K	7455	105	7597	107	7810	110	7526	106	71
NOV-2-32L-7-50K	7739	109	7881	111	8094	114	7810	110	71
NOV-2-48L-35-30K	5151	101	5253	103	5406	106	5202	102	51
NOV-2-48L-35-40K	5355	105	5457	107	5610	110	5406	106	51
NOV-2-48L-35-50K	5559	109	5661	111	5814	114	5610	110	51
NOV-2-48L-53-30K	8080	101	8240	103	8480	106	8160	102	80
NOV-2-48L-53-40K	8400	105	8560	107	8800	110	8480	106	80
NOV-2-48L-53-50K	8720	109	8880	111	9120	114	8800	110	80
NOV-2-48L-7-30K	10504	101	10712	103	11024	106	10608	102	104
NOV-2-48L-7-40K	10920	105	11128	107	11440	110	11024	106	104
NOV-2-48L-7-50K	11336	109	11544	111	11856	114	11440	110	104
NOV-2-64L-35-30K	6666	101	6798	103	6996	106	6732	102	66
NOV-2-64L-35-40K	6930	105	7062	107	7260	110	6996	106	66
NOV-2-64L-35-50K	7194	109	7326	111	7524	114	7260	110	66
NOV-2-64L-53-30K	10302	101	10506	103	10812	106	10404	102	102
NOV-2-64L-53-40K	10710	105	10914	107	11220	110	10812	106	102
NOV-2-64L-53-50K	11118	109	11322	111	11628	114	11220	110	102
NOV-2-64L-7-30K	13837	101	14111	103	14522	106	13974	102	137
NOV-2-64L-7-40K	14385	105	14659	107	15070	110	14522	106	137
NOV-2-64L-7-50K	14933	109	15207	111	15618	114	15070	110	137



DIMENSION	NOV-2
A	21 in.
B	24 in. OD
C	8 in.
Weight	26 lbs.

EPA	Nova 2
Single	1.19

