

How can an outdoor luminaire possibly deserve the name "Legacy," which features breakthrough Lighting technology? The answer is simple. There are at least three distinct reasons; Performance, design and function.

The Legacy is the perfect luminaire designed to replace existing post top fixtures saving seventy five percent energy while meeting IES minimum foot candle levels and improving light distribution and uniformity.

The Full Cutoff Dark Sky Legacy luminaire features LEDs recessed deep into the luminaire eliminating any direct glare. The Legacy also features a clear tempered safety glass lens with silicone gasket which improves fixture reliability.

Legacy is available from 18 to 102 watts and its scale is perfect to replace any wattage between 70-400 watt HID. The Legacy throws light four to five mounting heights in all directions which is a major improvement of existing optical technology. The Legacy features the Star Power Reflector system, a diffused 95 percent reflective low glare optical material.

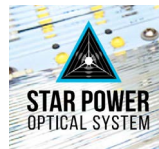
Legacy is available in two different Kelvin temperatures of 3000, 4000 and 5000 in both Type 3 and 5 light distributions.



Legacy Shown with 2 Bar mounting option and Flat Lens



Legacy Shown with optional Fluted Holder + Arms (FH).




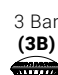

STAR POWER OPTICAL SYSTEM

The Star Power reflector is an excellent system which provides great value and performance.

LED WATTAGE CHART

	16L	32L	48L	64L
350 milliamps	18w	33w	51w	66w
530 milliamps	28w	54w	80w	102w

Project Name: _____ Type: _____

Cat #	Light Dist.	# of LED	Milliamps	Kelvin	Volts	Color	# of Bars	Mounting	Options	
Legacy (LEG-1)	Type 3 (T3)	16 (16L)	350 (35)	3000K (30K)	120-277 (UNV)	Bronze (BRZ)	2 Bar (2B)	Post Top Over 2-3/8" OD (PT2)	Bird Spikes (BS) Marine Grade Finish (MGF)	
	Type 5 (T5)	32 (32L)	530 (53)	4000K (40K)		White (WHT)				Post Top Over 3" OD (PT3)
		48 (48L)	530 (53)	5000K (50K)	Silver (SVR)	3 Bar (3B)		Mast Arm Fitter: (MAF)		
		64 (64L)	530 (53)	5000K (50K)	Hunter Green (HGN)					
				Black (BLK)	Fluted Holder + 2 Bar (FH)	Motion Sensor (MS)				
			Graphite (GPH)				Surge Protector (10K)			
			Grey (GRY)					House Side Shield (HSS)		
			Custom (CS)		Front Side Shield (FSS)					


PRODUCT SPECIFICATIONS

Housing: Cast Aluminum

LED: Luxeon M Series by Lumileds

Optics: Star Power System; Type 3 and Type 5 Optics

Watts: 18-102

Electrical: UL 1598 Listed 

Driver: 0-10V Dimmable driver by Philips Advance

Kelvin: 3000, 4000 or 5000

Finish: 5 mils Powder Coat

Hardware: Stainless Steel

Warranty: Standard Warranty is 5 years for Driver and LEDs

PRODUCT DIMENSIONS

LEGACY - LUMEN DATA CHART					
PART NUMBER	T3 LUMENS	L/W	T5 LUMENS	L/W	Watts
LEG-1-16L-35-30K	1890	105	1998	111	18
LEG-1-16L-35-40K	1980	110	2052	114	18
LEG-1-16L-35-50K	2070	115	2124	118	18
LEG-1-16L-53-30K	2940	105	3108	111	28
LEG-1-16L-53-40K	3080	110	3192	114	28
LEG-1-16L-53-50K	3220	115	3304	118	28
LEG-1-32L-35-30K	3465	105	3663	111	33
LEG-1-32L-35-40K	3630	110	3762	114	33
LEG-1-32L-35-50K	3795	115	3894	118	33
LEG-1-32L-53-30K	5670	105	5994	111	54
LEG-1-32L-53-40K	5940	110	6156	114	54
LEG-1-32L-53-50K	6210	115	6372	118	54
LEG-1-48L-35-30K	5355	105	5661	111	51
LEG-1-48L-35-40K	5610	110	5814	114	51
LEG-1-48L-35-50K	5865	115	6018	118	51
LEG-1-48L-53-30K	8400	105	8880	111	80
LEG-1-48L-53-40K	8800	110	9120	114	80
LEG-1-48L-53-50K	9200	115	9440	118	80
LEG-1-64L-35-30K	6930	105	7326	111	66
LEG-1-64L-35-40K	7260	110	7524	114	66
LEG-1-64L-35-50K	7590	115	7788	118	66
LEG-1-64L-53-30K	10710	105	11322	111	102
LEG-1-64L-53-40K	11220	110	11628	114	102
LEG-1-64L-53-50K	11730	115	12036	118	102

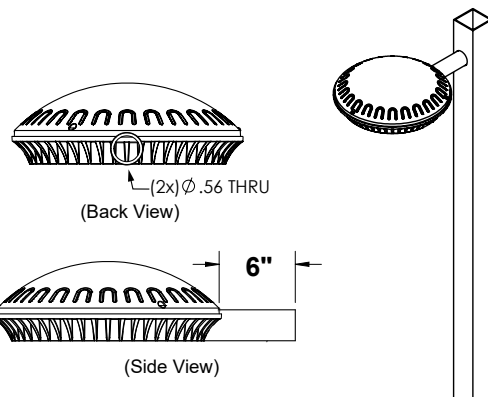
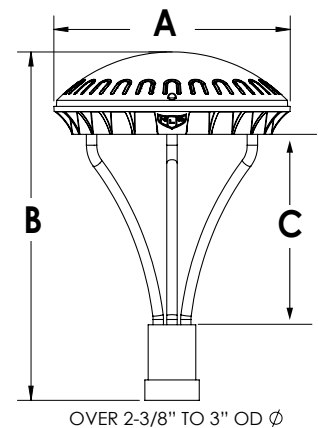
* DLC approval may not apply to all configurations.



DesignLights Consortium (DLC) qualified Product. Some configurations of this product family may not be DesignLights Consortium (DLC) listed, please refer to the DLC qualified products list to confirm listed configurations. <http://www.designlights.org>

DIMENSION	LEG-1
A	17.375 in
B	25.5 in
C	14 in

EPA	
SINGLE	1.82



LEG-1 MAF